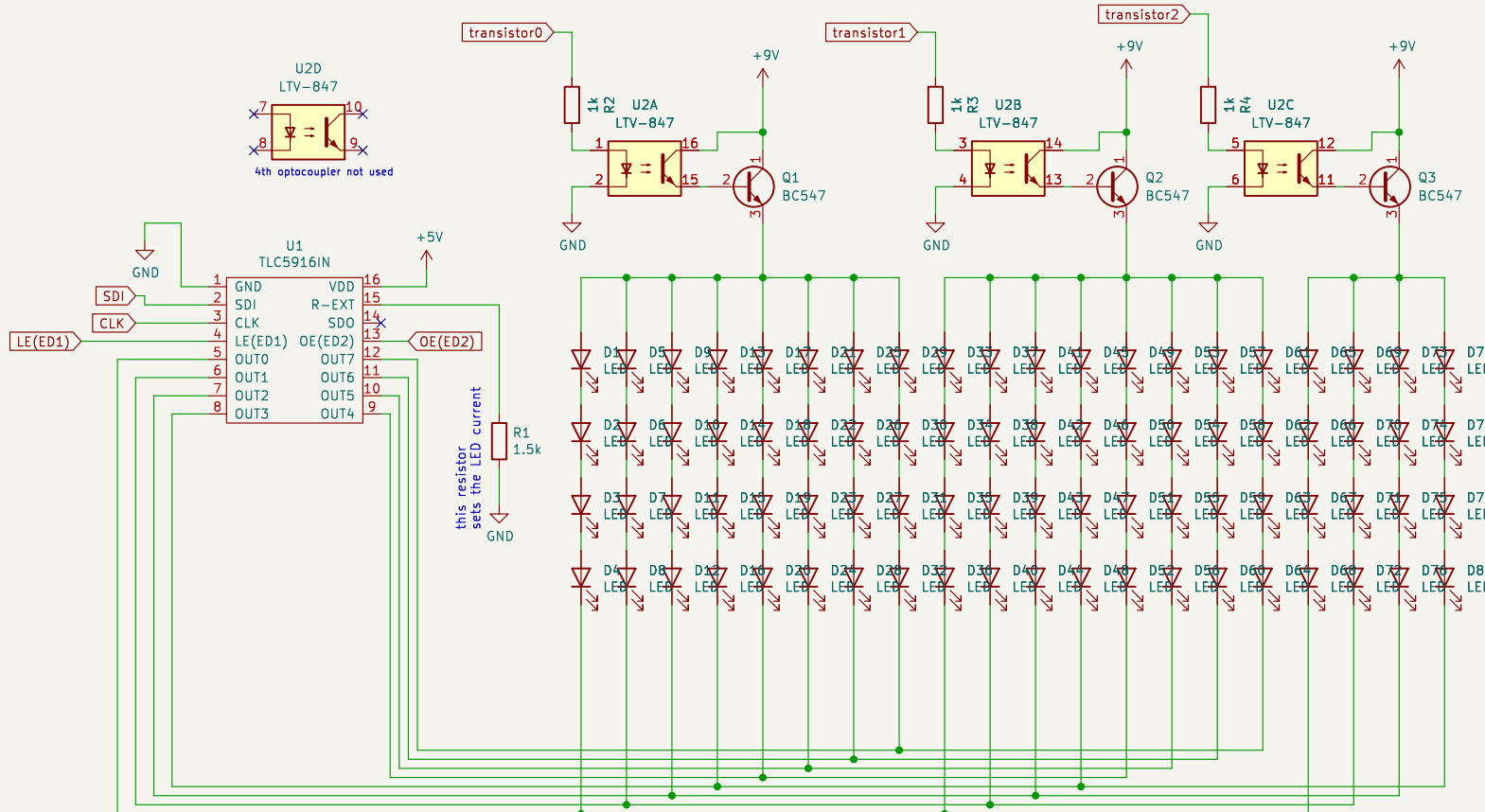
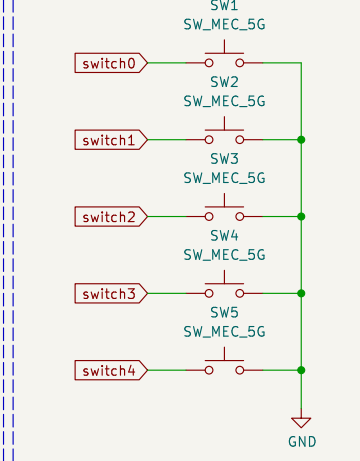


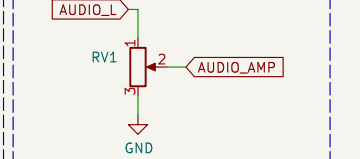
LEDs with driver IC



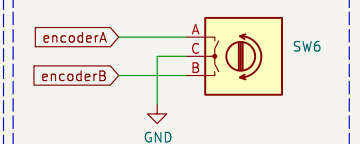
SWITCHES



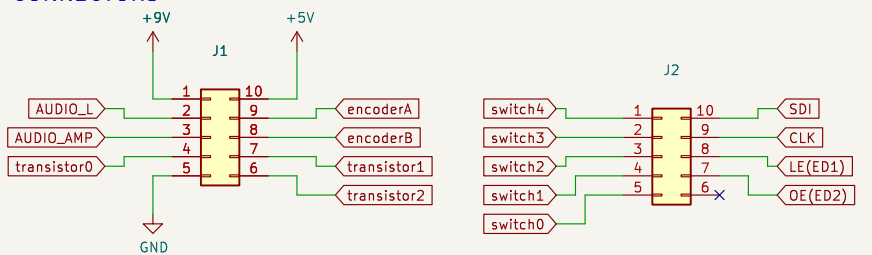
VOLUME



ENCODER



CONNECTORS



- H1 MountingHole
- H2 MountingHole
- H3 MountingHole
- H4 MountingHole

Krzysztof Sikora

Sheet: /	
File: fm_radio_panel.kicad_sch	
Title: FM radio – front panel	
Size: A4	Date: 19.02.2023
KiCad E.D.A. 9.0.0	Rev: v1.0
	Id: 1/1