

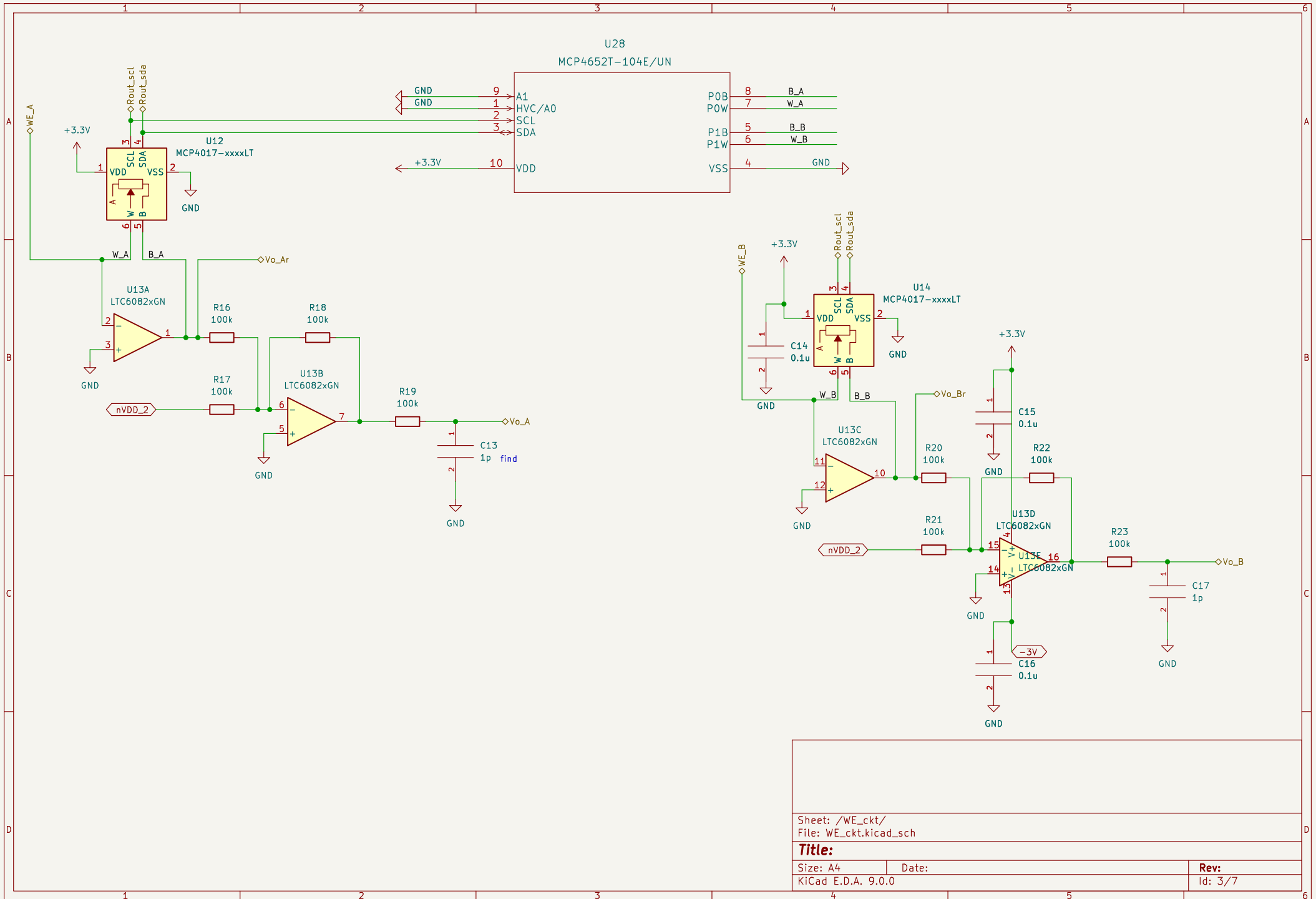
Sheet: /Ref_generator/
 File: ref_generator.kicad_sch

Title:

Size: A4
 KiCad E.D.A. 9.0.0

Date:

Rev:
 Id: 2/7



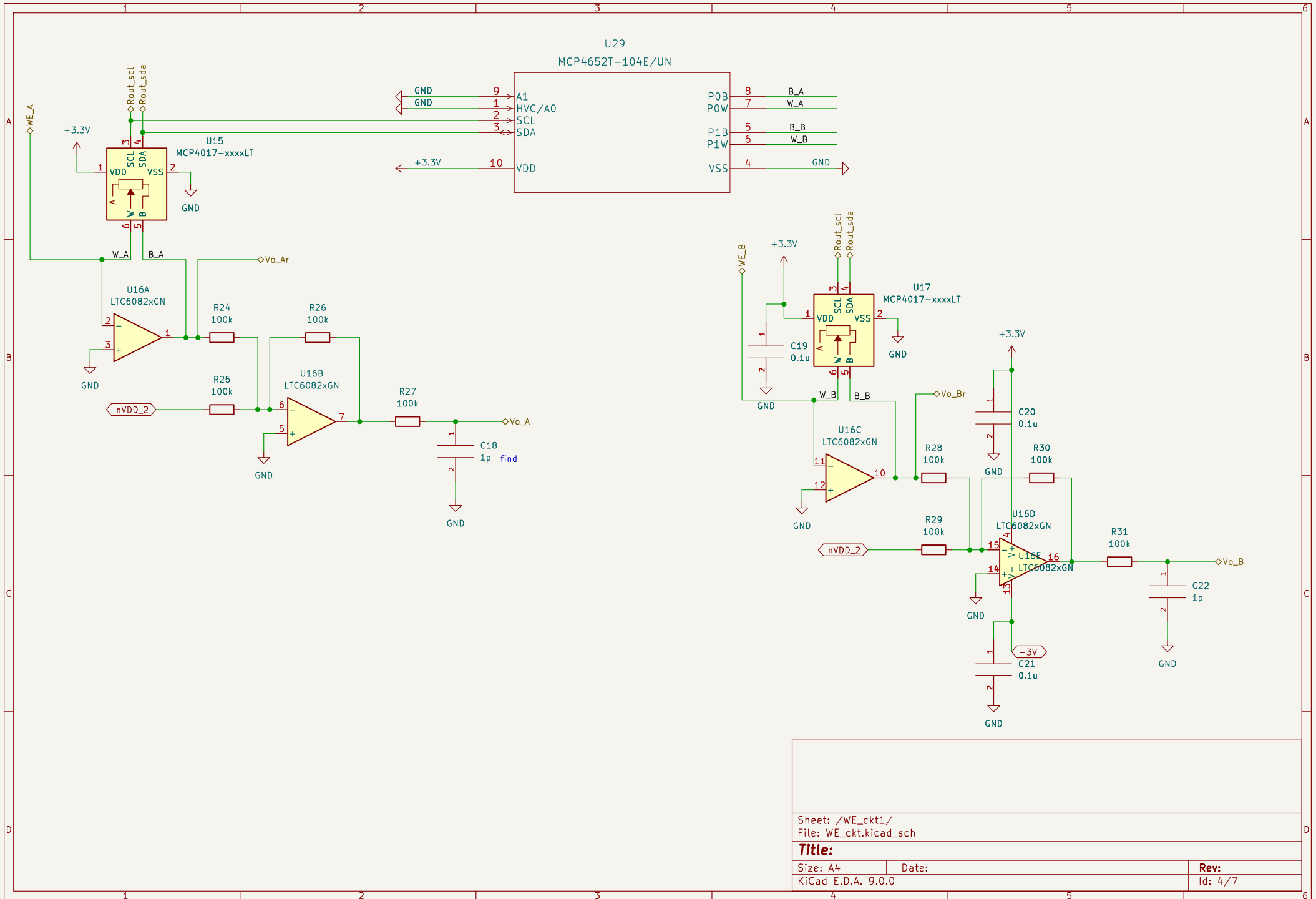
Sheet: /WE_ckt/
 File: WE_ckt.kicad_sch

Title:

Size: A4
 KiCad E.D.A. 9.0.0

Date:

Rev:
 Id: 3/7



Sheet: /WE_ckt1/
File: WE_ckt.kicad_sch

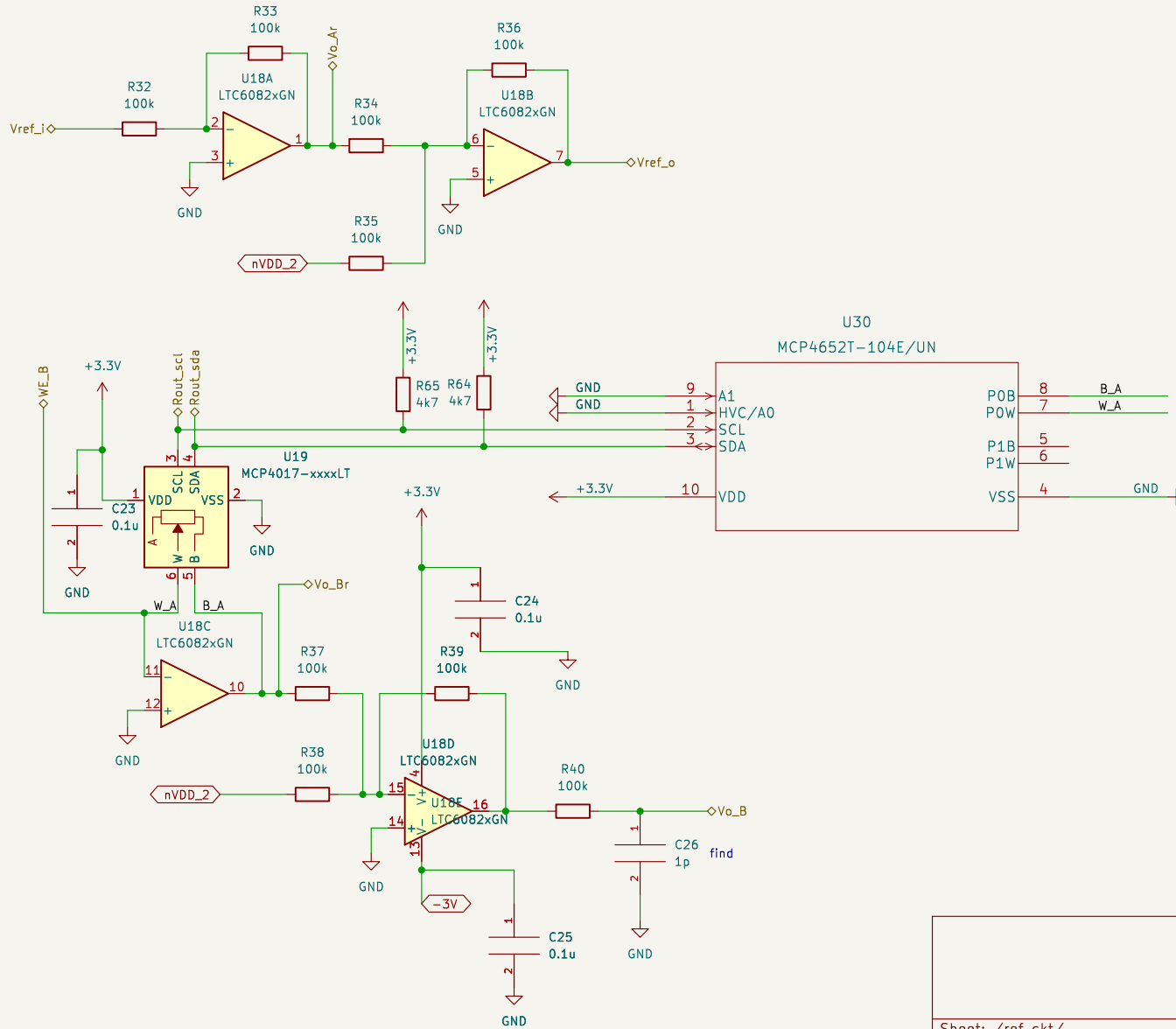
Title:

Size: A4
KiCad E.D.A. 9.0.0

Date:

Rev:
Id: 4/7

Notes: (1) Offset Vref to Vdd/2 for ADC
 (2) Two extra opamp used for WEckt



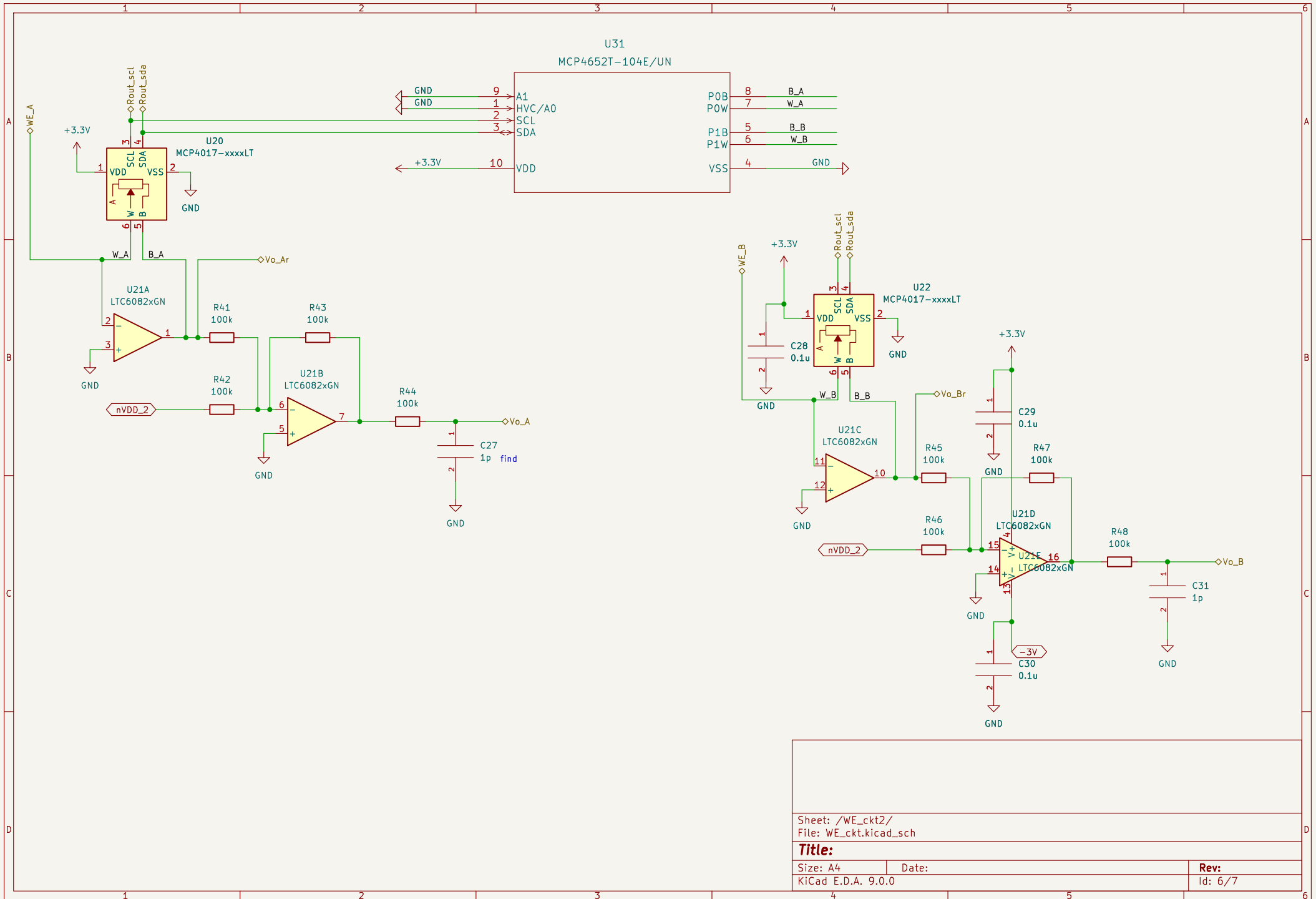
Sheet: /ref_ckt/
 File: ref_ckt.kicad_sch

Title:

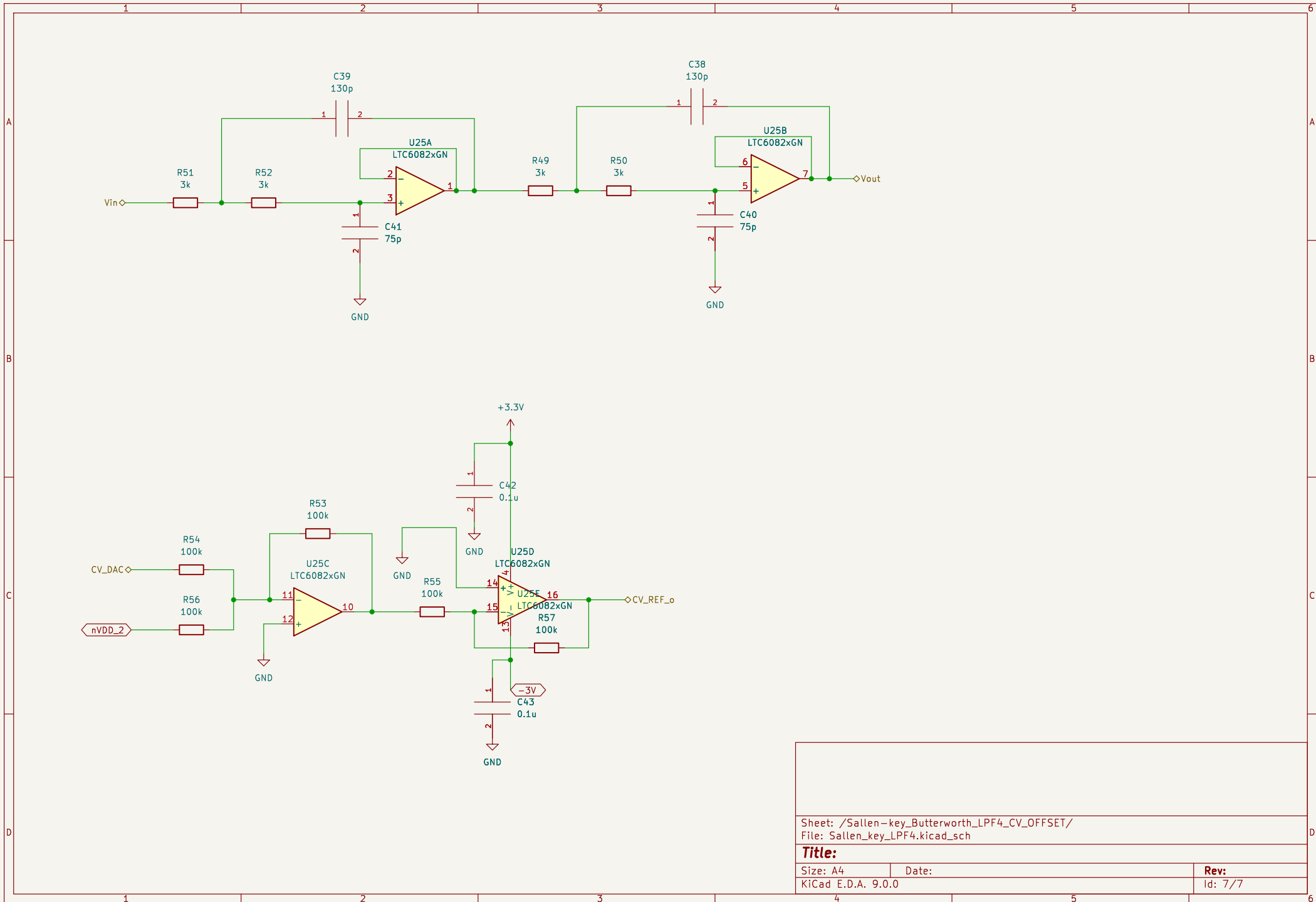
Size: A4
 KiCad E.D.A. 9.0.0

Date:

Rev:
 Id: 5/7



Sheet: /WE_ckt2/		File: WE_ckt.kicad_sch	
Title:			
Size: A4	Date:	Rev:	
KiCad E.D.A. 9.0.0		Id: 6/7	



Sheet: /Sallen-key_Butterworth_LPF4_CV_OFFSET/
 File: Sallen_key_LPF4.kicad_sch

Title:

Size: A4 Date:

KiCad E.D.A. 9.0.0

Rev:

Id: 7/7