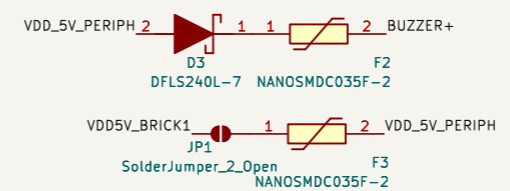
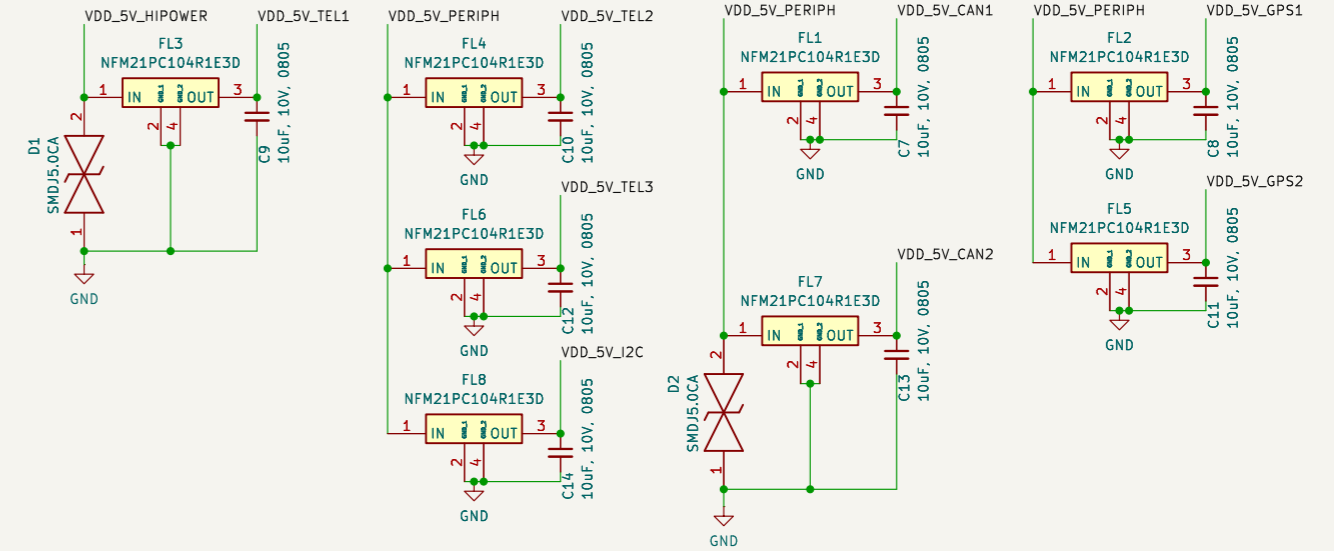
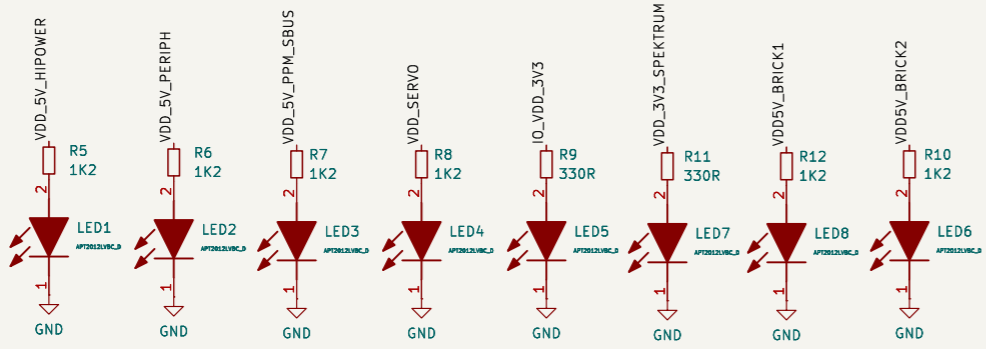
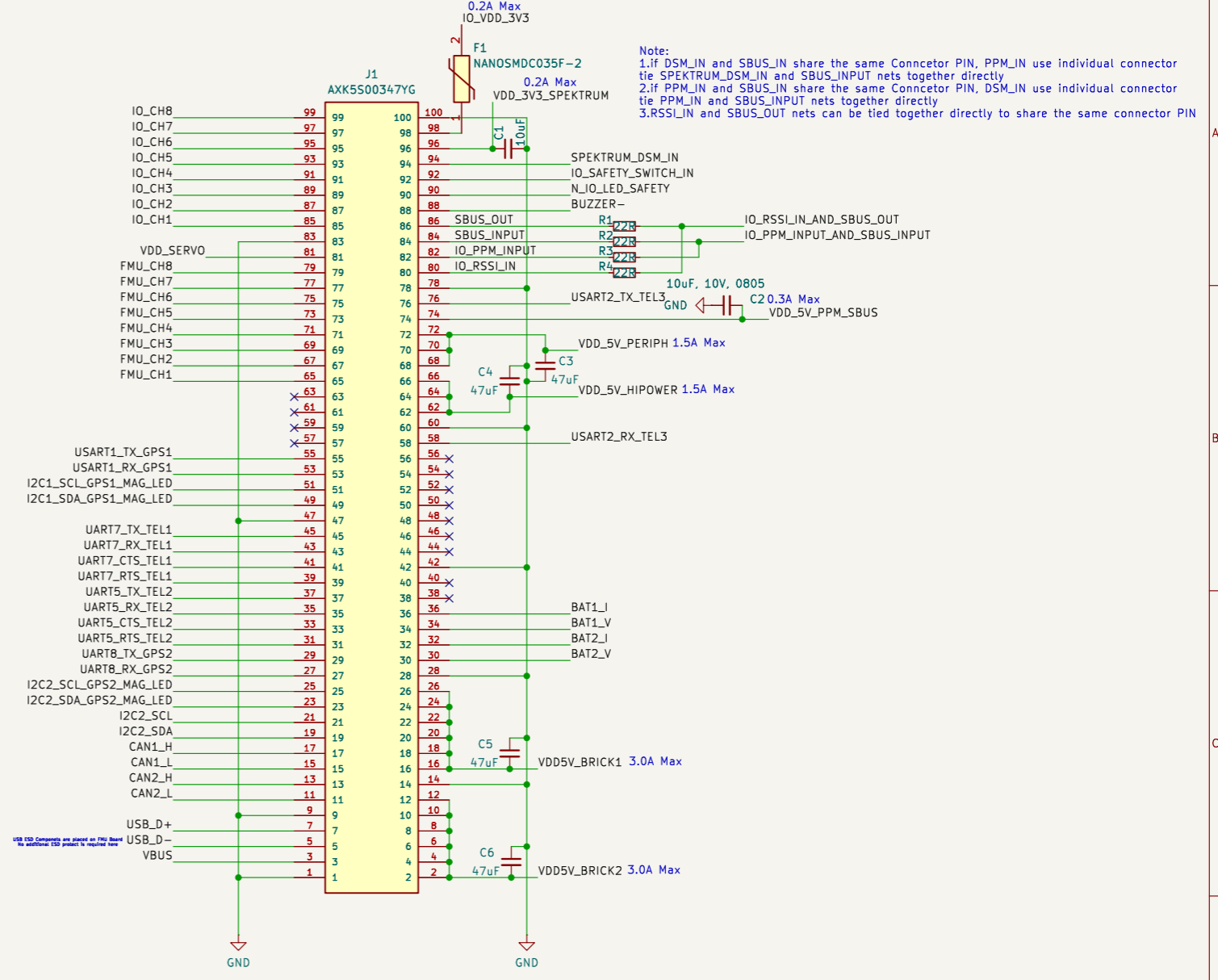


J2 AXK5500047YG Connector_MF_1

J3 AXK5500047YG Connector_MF_2



Sheet: /	File: Quiver_PT3_FC_PCB.kicad_sch	
Title:		
Size: A3	Date:	Rev:
KiCad E.D.A. 9.0.0	Id: 1/1	