

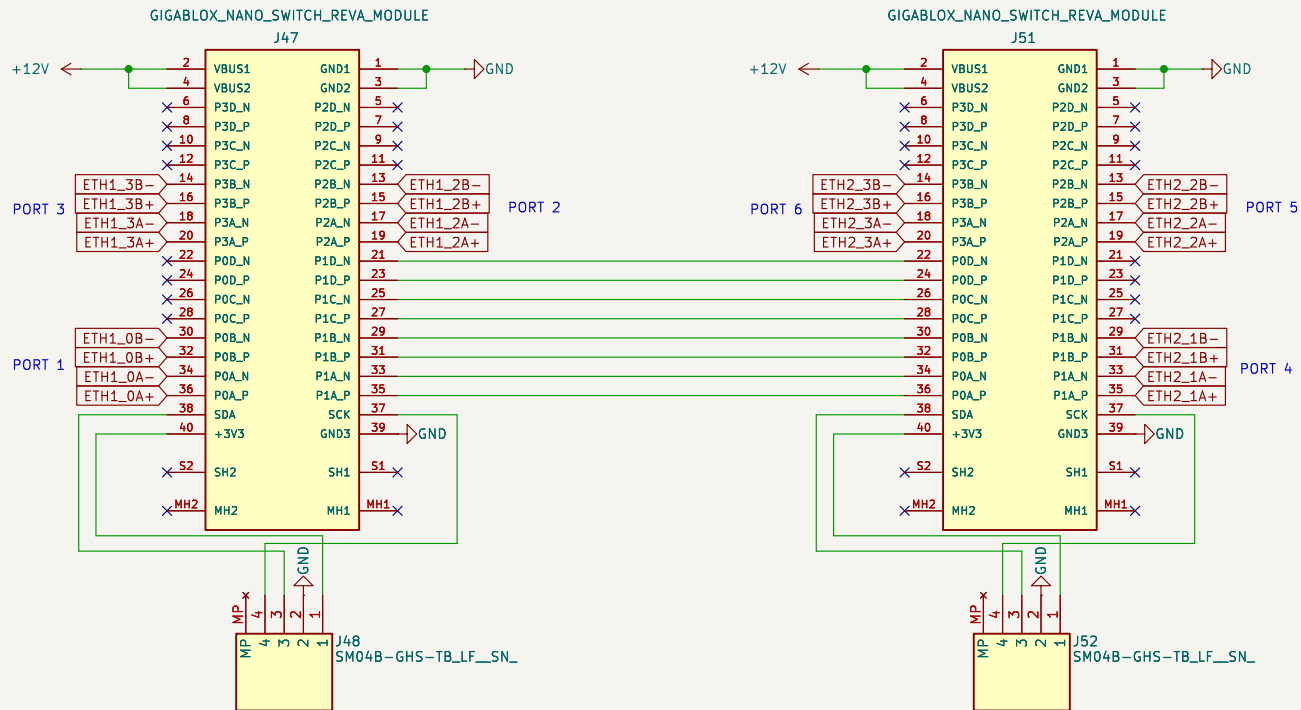
Sheet: /CAN circuit/  
 File: CAN circuit.kicad\_sch

**Title:**

Size: A4  
 KiCad E.D.A. 9.0.0

Date:

Rev:  
 Id: 2/3



For 1000Base-T operation, differential data from the media is transmitted and received on all four pairs.  
 For 100Base-TX and 10Base-T operation, only MDIAP/N and MDIBP/N are used.  
 Auto MDIX can reverse the pairs MDIAP/N and MDIBP/N. Each of the differential pairs has an internal 100-ohm termination resistor

Sheet: /ETHERNET/  
 File: ETHERNET.kicad\_sch

**Title:**

Size: A4 Date:  
 KiCad E.D.A. 9.0.0

**Rev:**  
 Id: 3/3