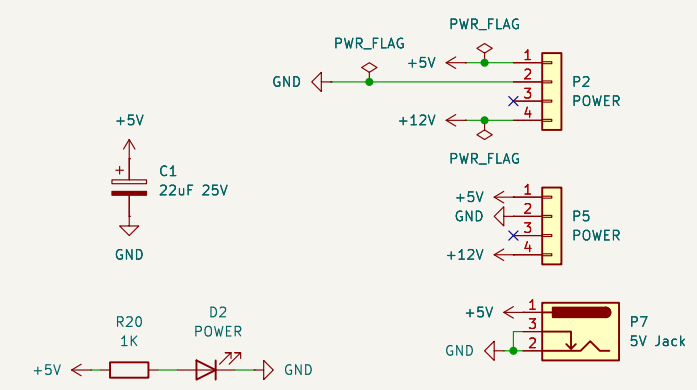
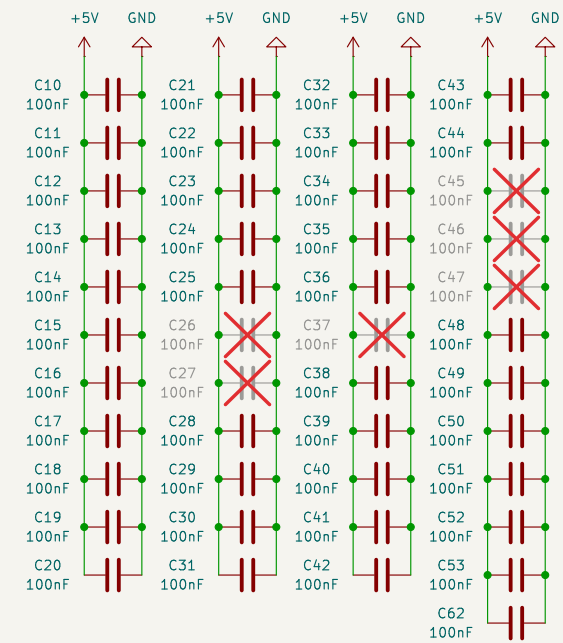
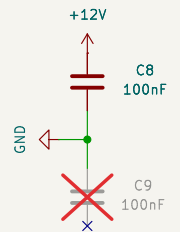
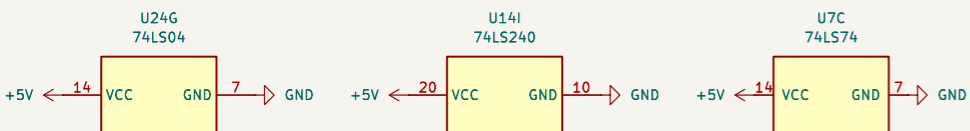
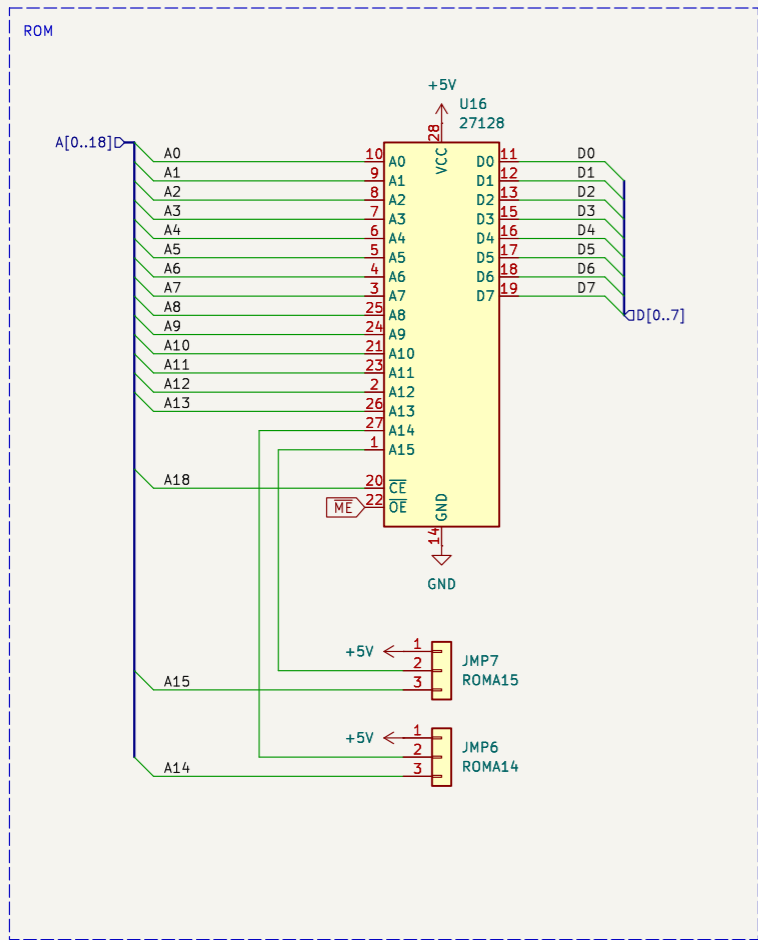
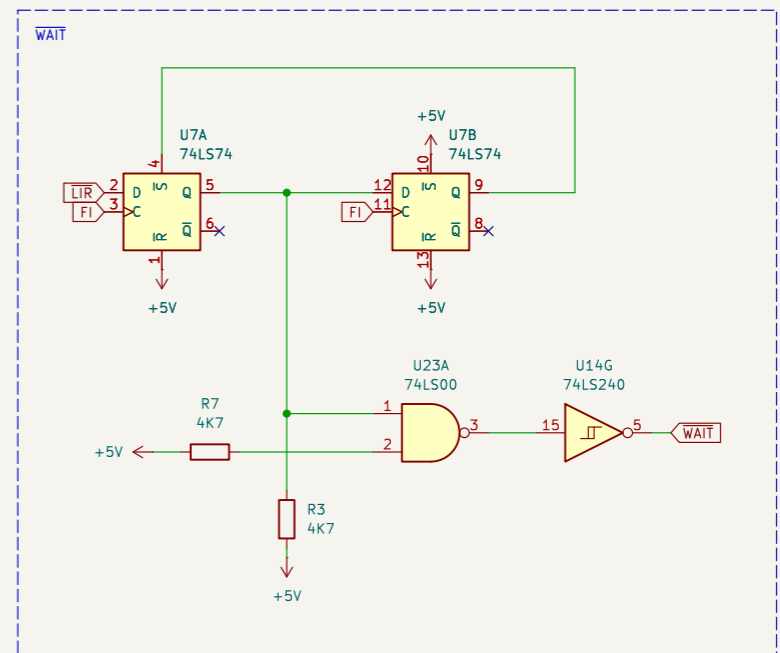
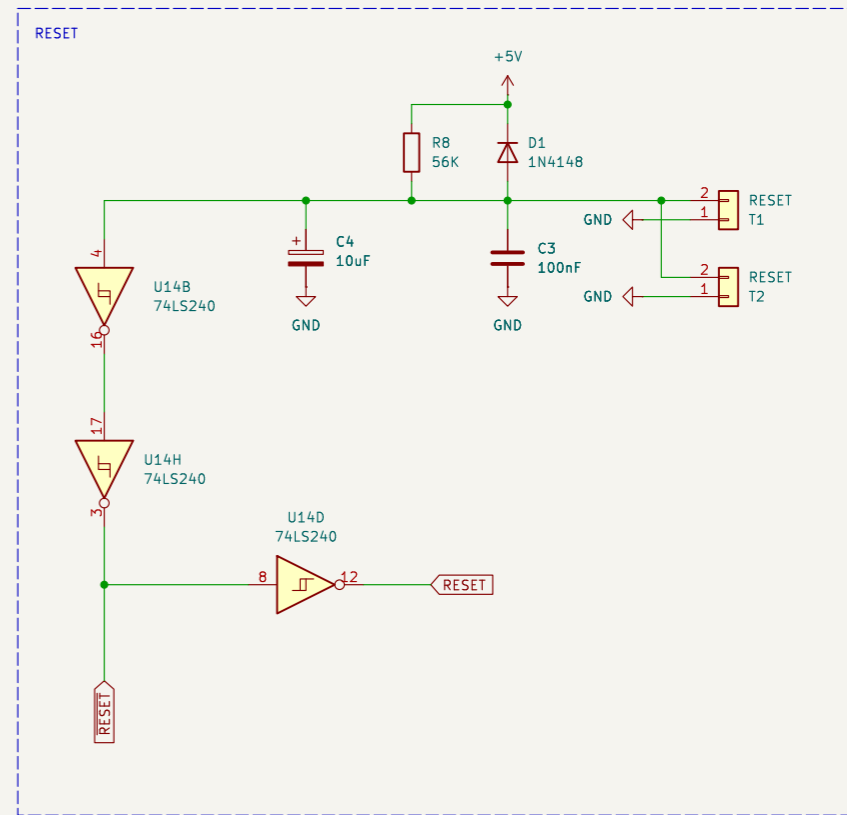
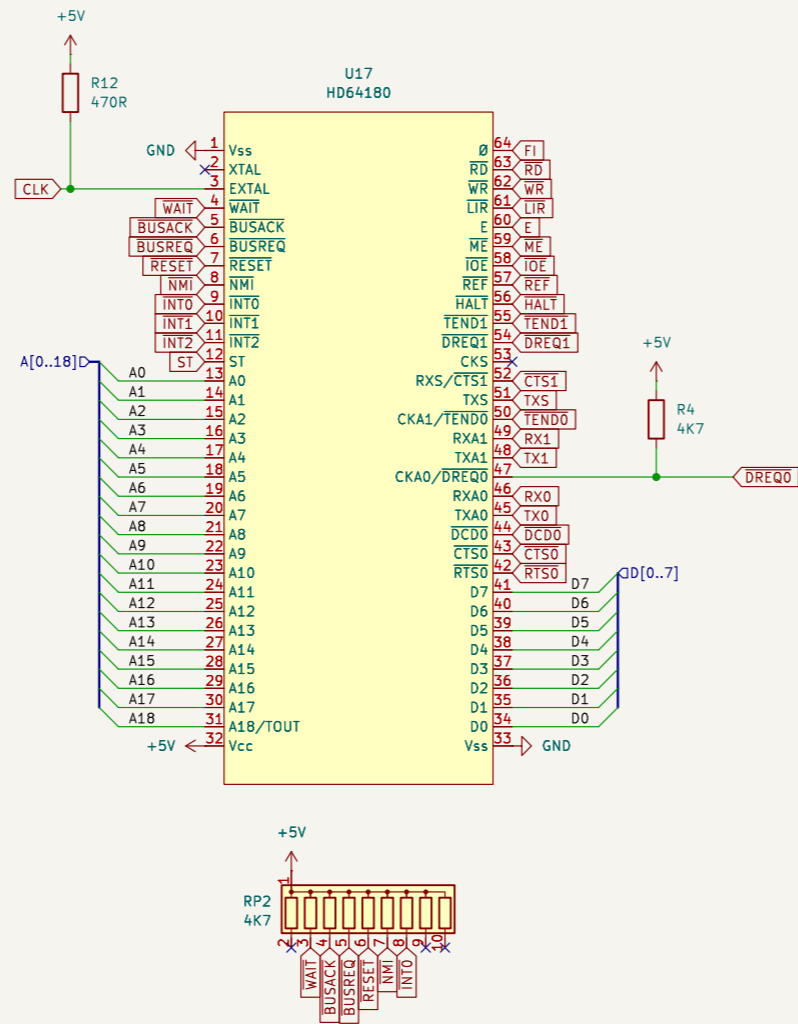
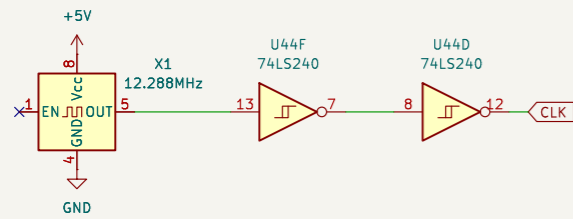
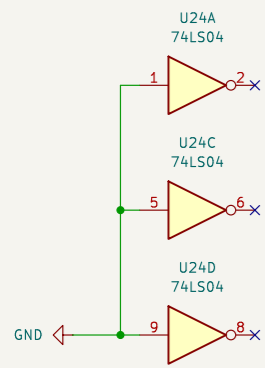


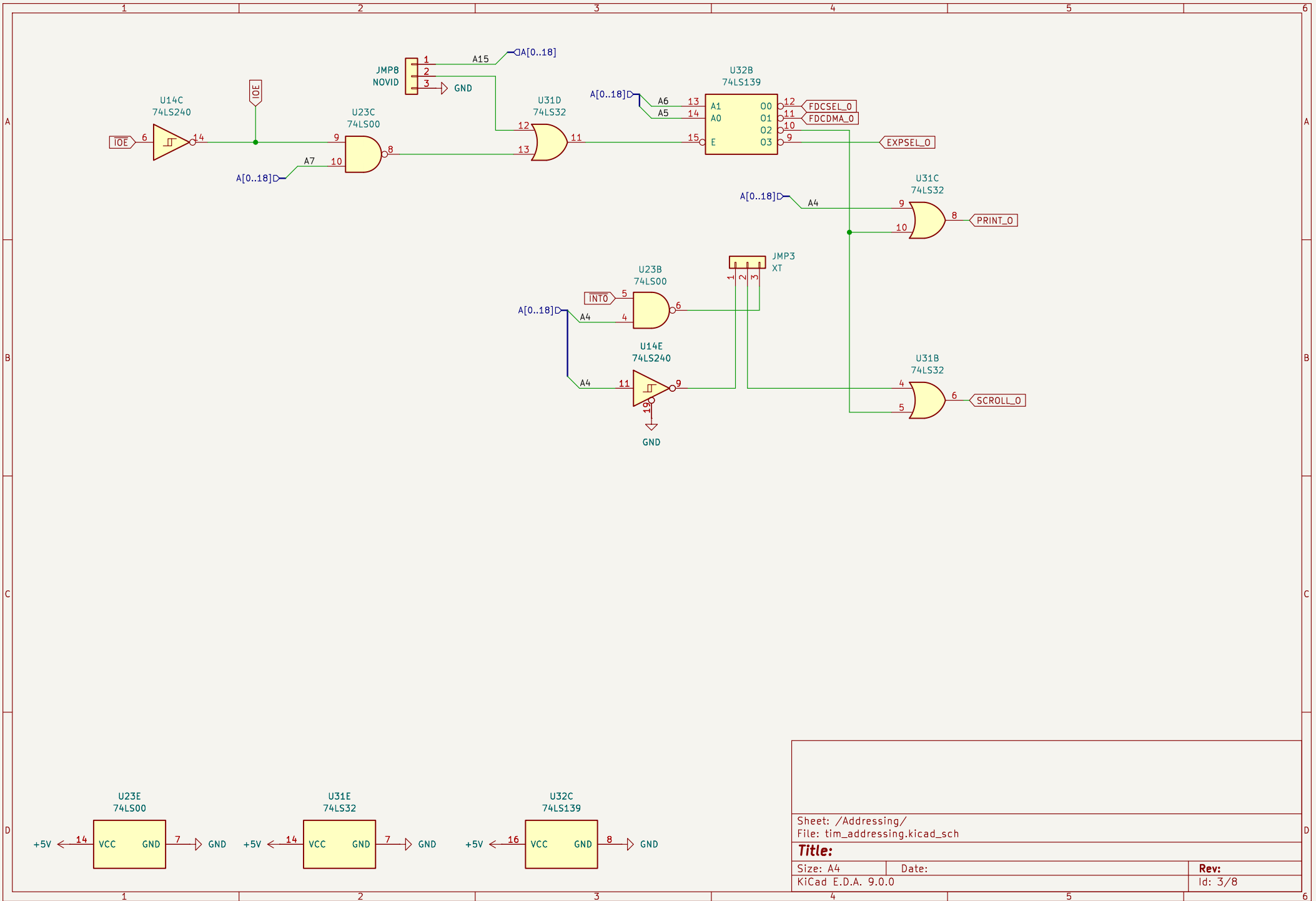
- H1 MountingHole
- H2 MountingHole
- H3 MountingHole
- H4 MountingHole
- H5 MountingHole
- H6 MountingHole
- H7 MountingHole
- H8 MountingHole
- H9 MountingHole
- H10 MountingHole
- H11 MountingHole
- H3 GND

- G1 Board Folk Logo
- G2 TIM011 Logo
- G3 TIM011 Picture



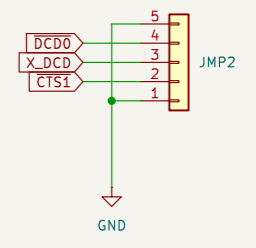
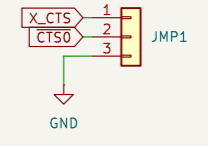
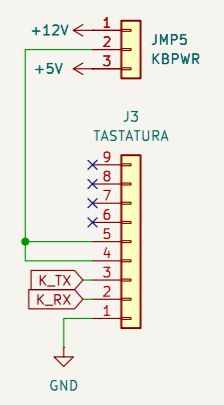
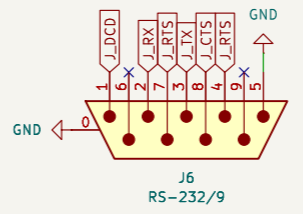
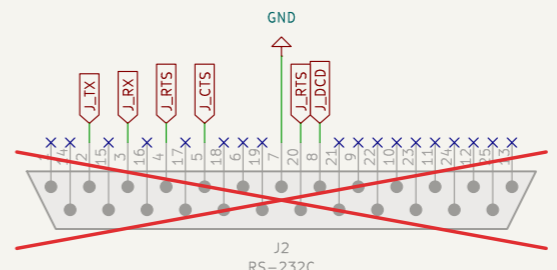
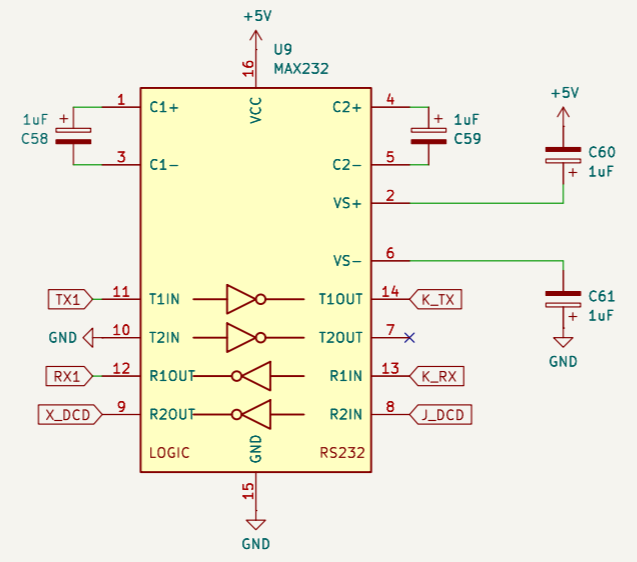
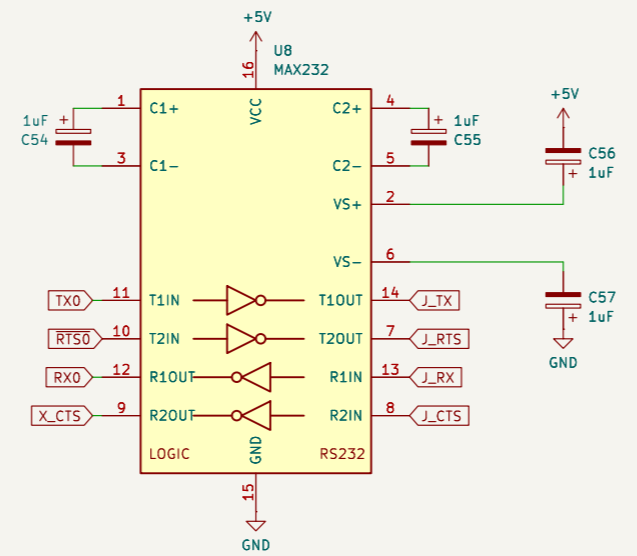
Sheet: /		Date:	
File: TIM-011B.kicad_sch			
<b>Title:</b>		<b>Rev:</b>	
Size: A4	KiCad E.D.A. 9.0.0		Id: 1/8



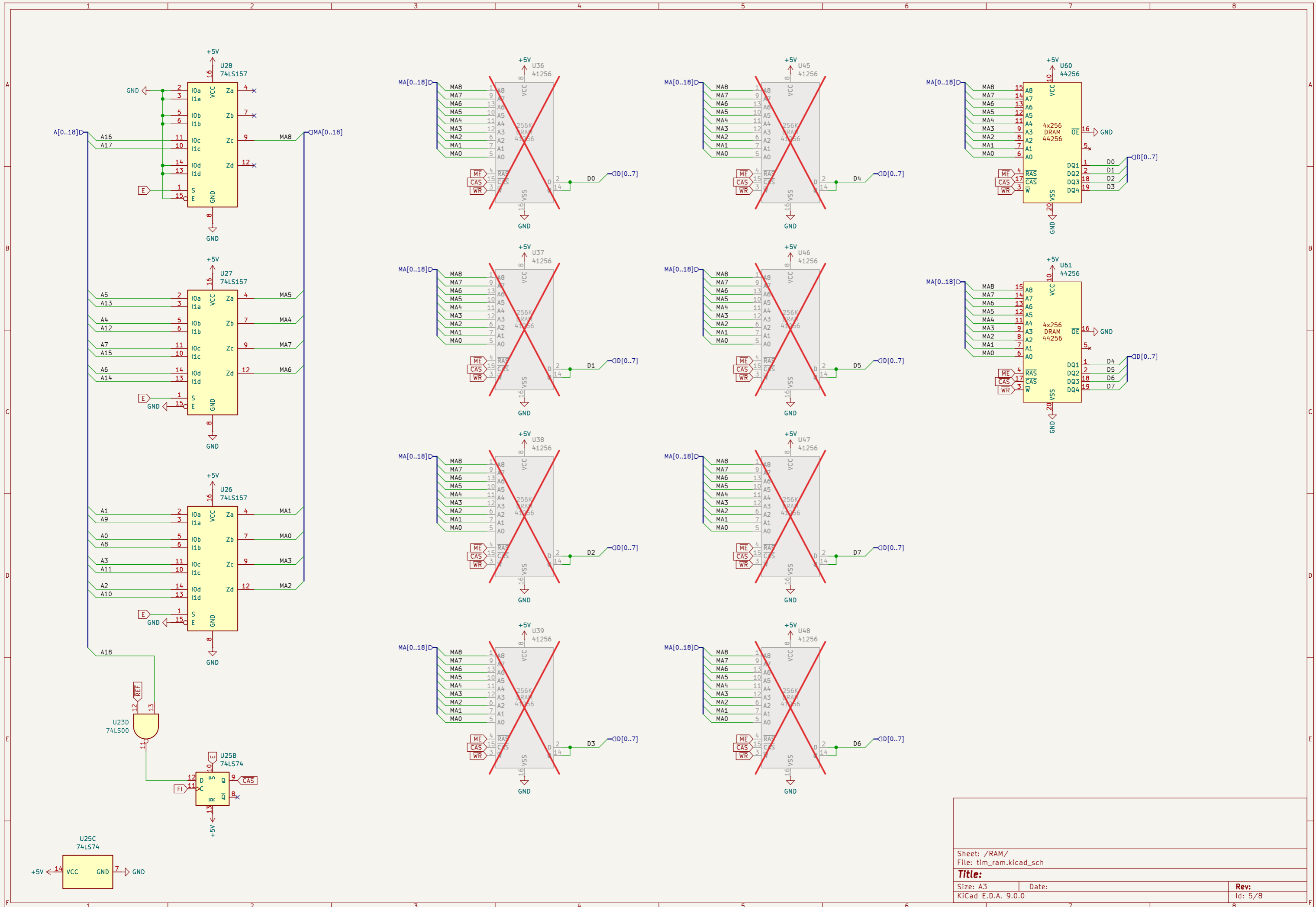


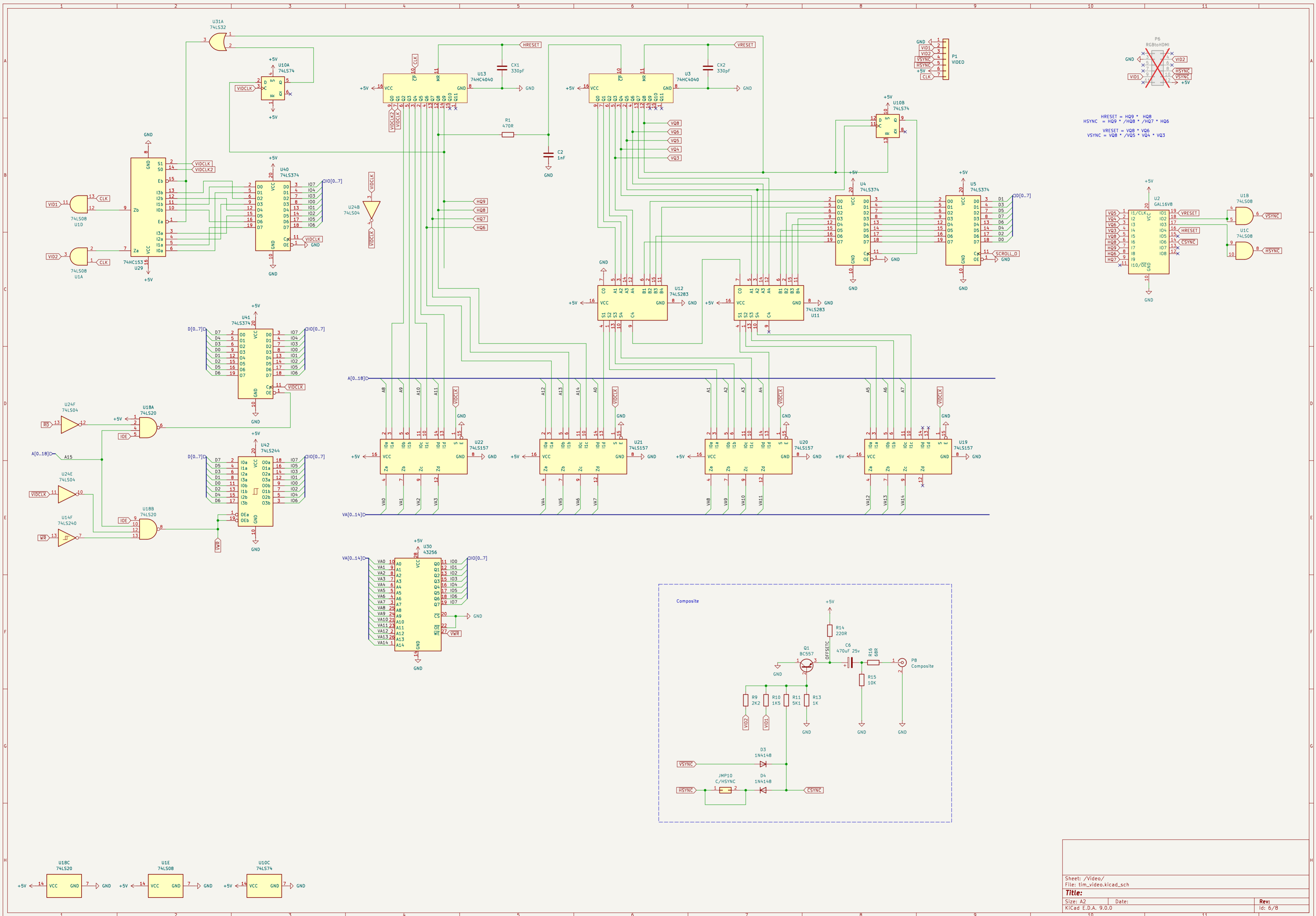
Sheet: /Addressing/  
 File: tim\_addressing.kicad\_sch

<b>Title:</b>		<b>Rev:</b>
Size: A4	Date:	Id: 3/8
KiCad E.D.A. 9.0.0		

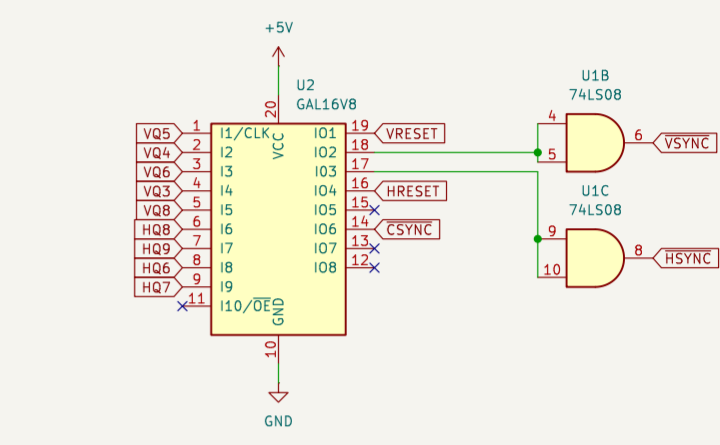


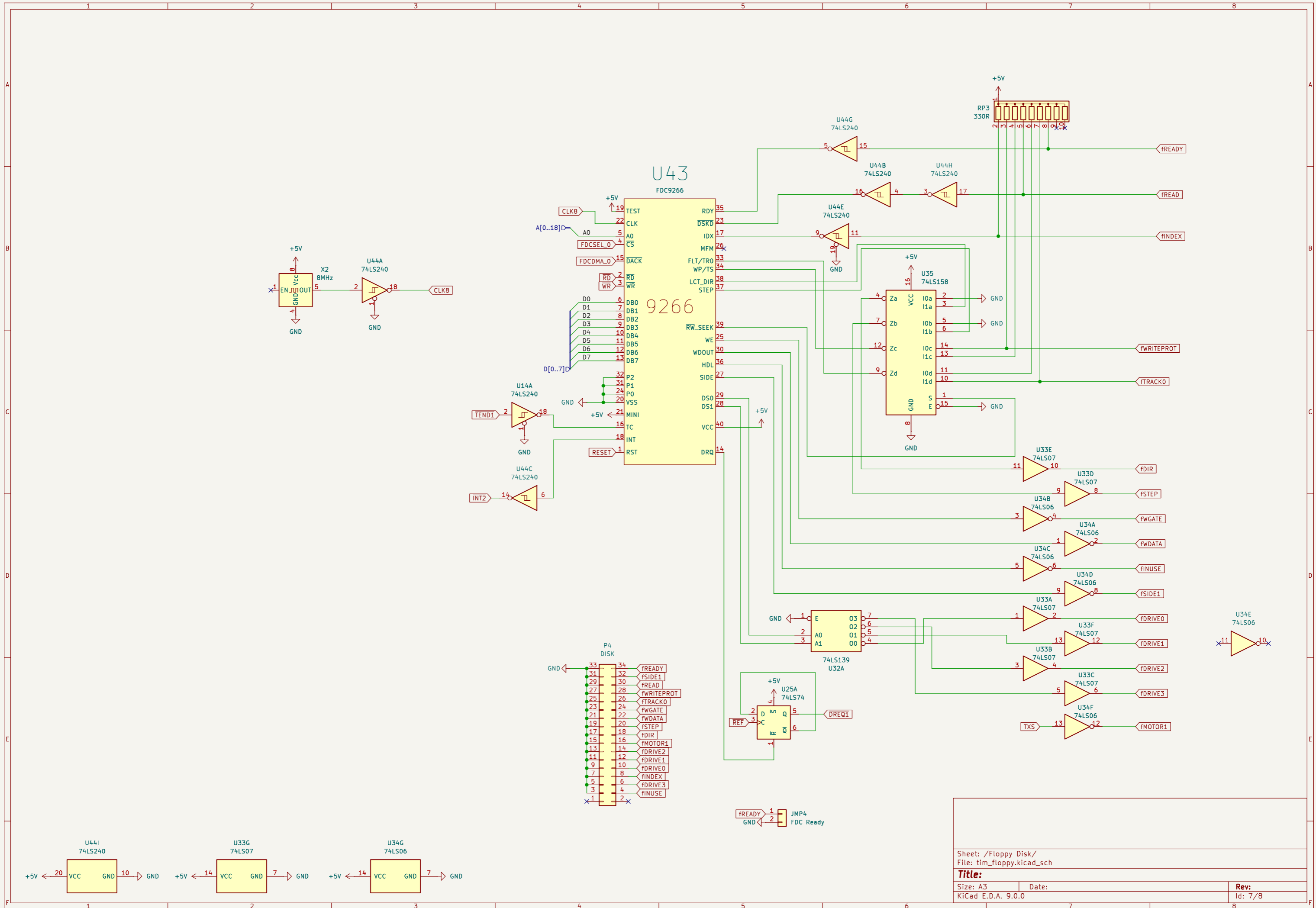
Sheet: /Serial Keyboard/ File: tim_keyboard.kicad_sch		
<b>Title:</b>		
Size: A3	Date:	Rev:
KiCad E.D.A. 9.0.0		Id: 4/8



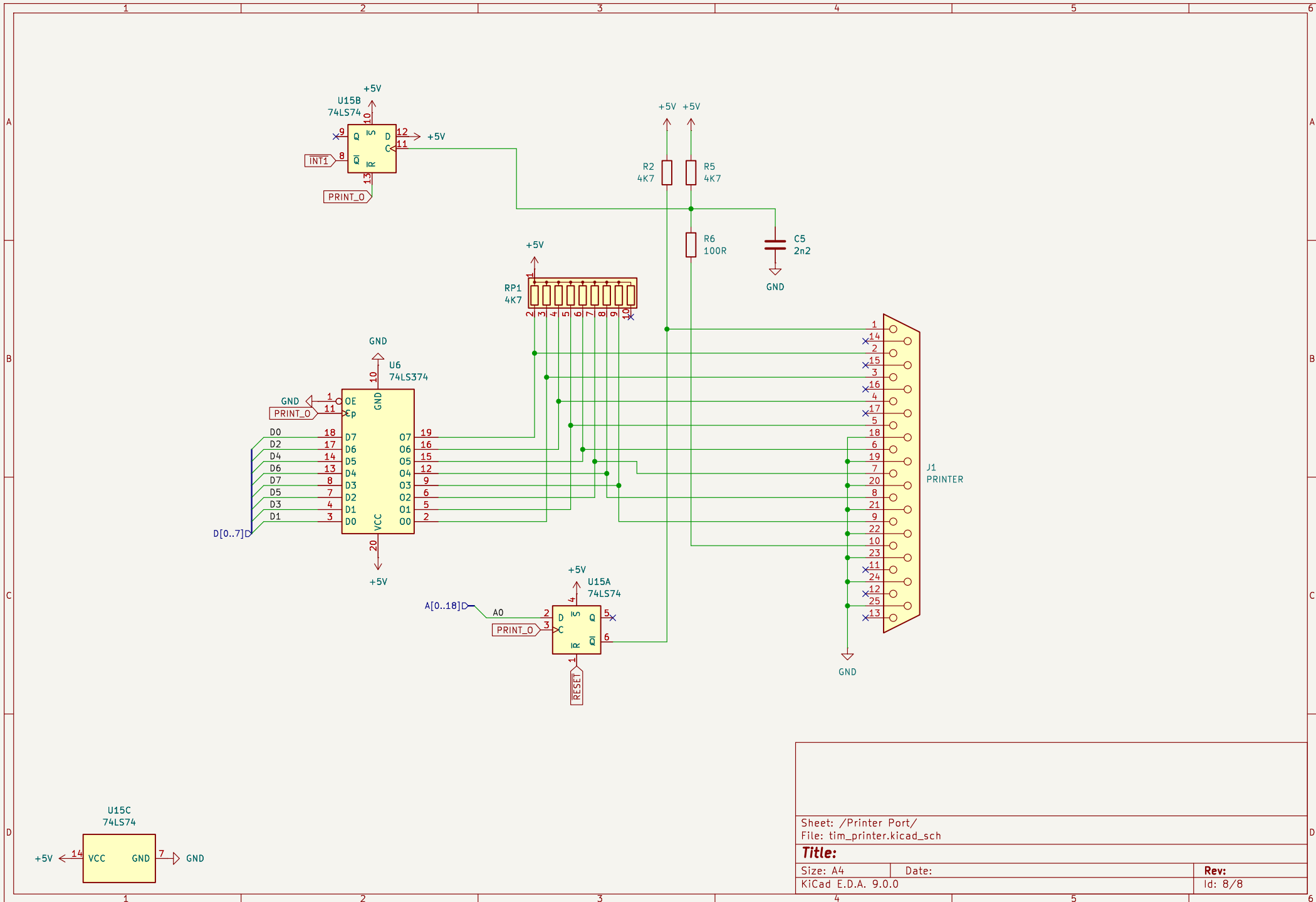


$HRESET = HQ9 \cdot HQ8$   
 $HSYNC = HQ9 \cdot /HQ8 \cdot /HQ7 \cdot HQ6$   
 $VRESET = VQ8 \cdot VQ6$   
 $VSYNC = VQ8 \cdot /VQ5 \cdot VQ4 \cdot VQ3$





Sheet: /Floppy Disk/		
File: tim_floppy.kicad_sch		
<b>Title:</b>		
Size: A3	Date:	Rev:
KiCad E.D.A. 9.0.0		Id: 7/8



Sheet: /Printer Port/  
 File: tim\_printer.kicad\_sch

<b>Title:</b>		<b>Rev:</b>	
Size: A4	Date:		
KiCad E.D.A. 9.0.0		Id: 8/8	