

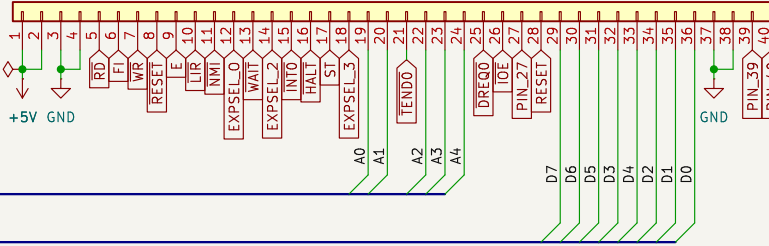
CF IDE Interface

File: tim\_ide.kicad\_sch

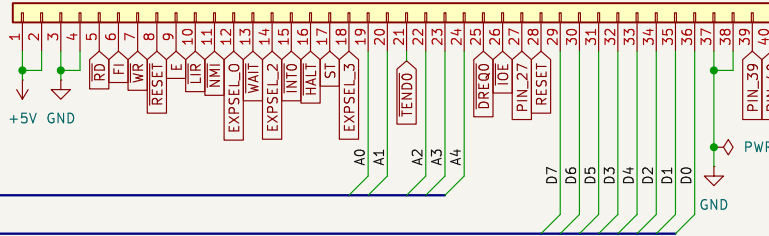
A[0..18]  
D[0..7]  
BD[0..7]

PWR\_FLAG  
+5V GND

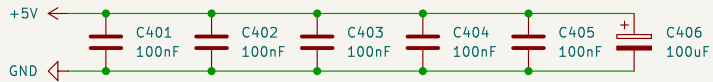
P1  
EXPAND



P2  
EXPAND



H401  
MountingHole



Sheet: /  
File: TIMIDE.kicad\_sch

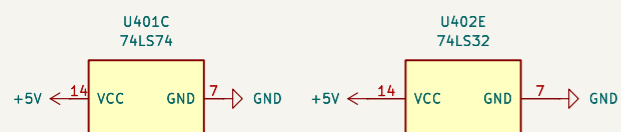
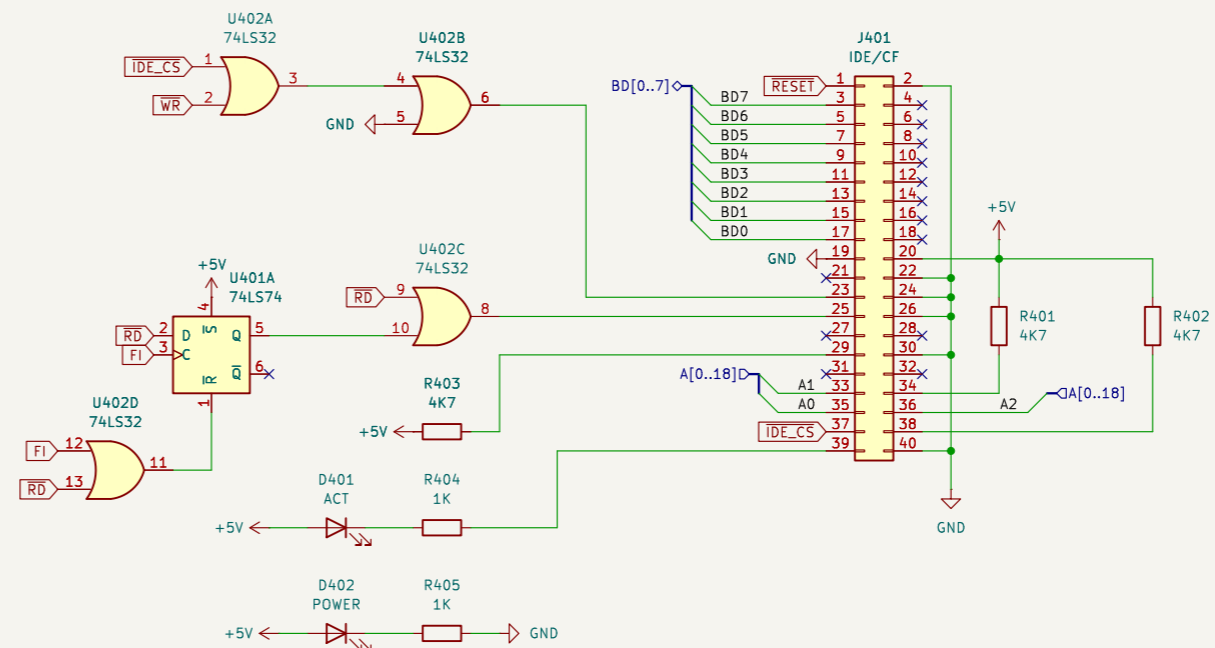
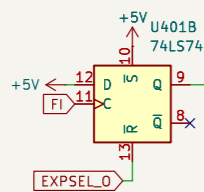
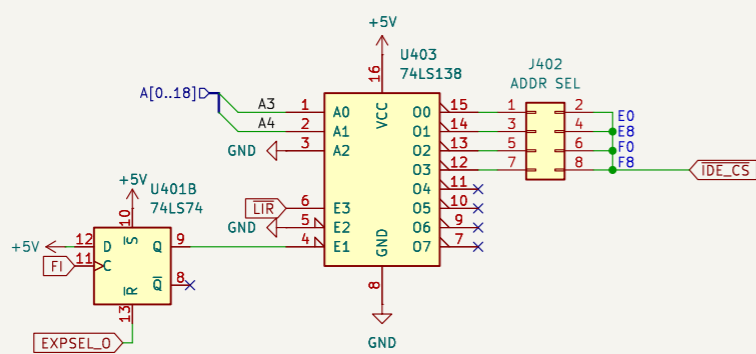
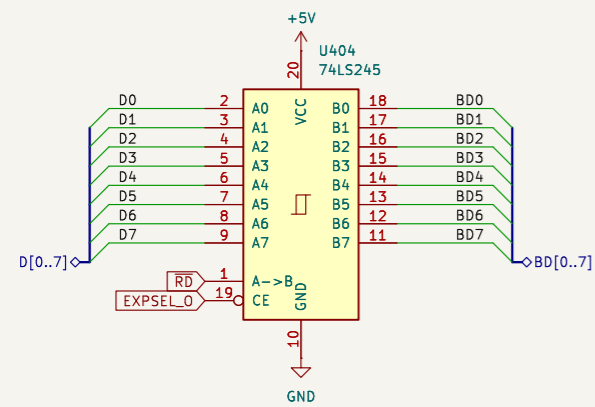
Title:

Size: A4  
KiCad E.D.A. 9.0.0

Date:

Rev:

Id: 1/2



Sheet: /CF IDE Interface/  
File: tim\_ide.kicad\_sch

**Title:**

Size: A3 Date:

Rev: Id: 3/2