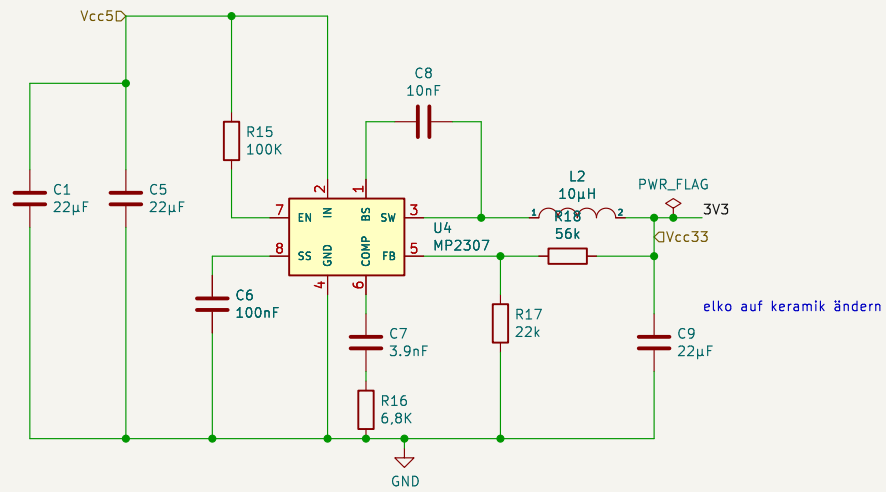


Sheet: /		
File: Aktien Anzeiger.kicad_sch		
Title:		
Size: A4	Date:	Rev:
KiCad E.D.A. 9.0.0		Id: 1/3



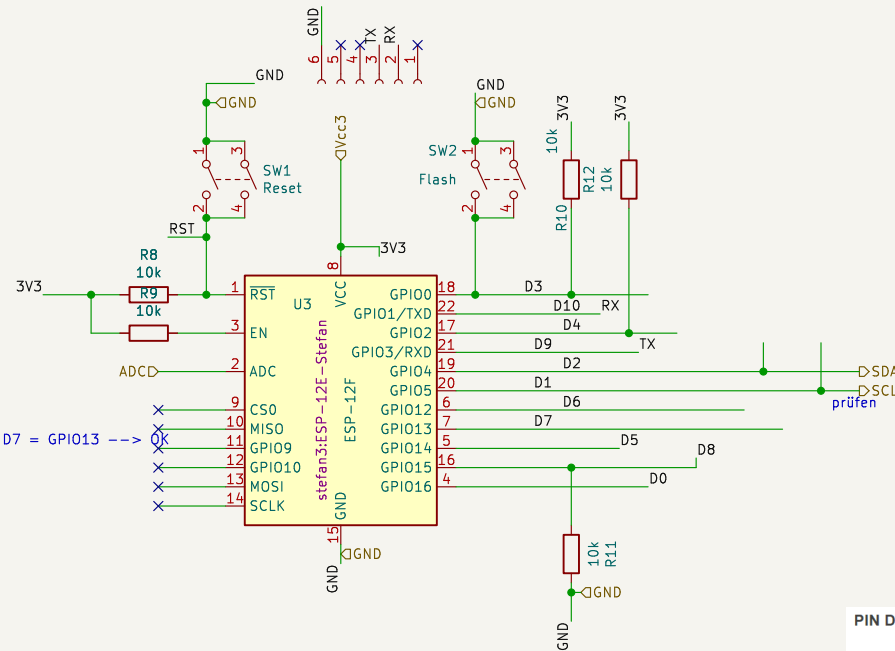
Sheet: /Power/
File: Power.kicad_sch

Title:

Size: A4
KiCad E.D.A. 9.0.0

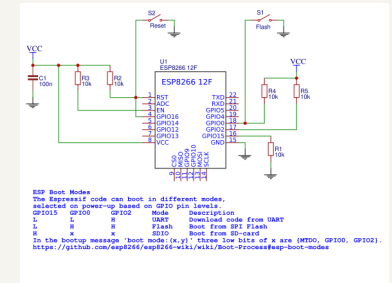
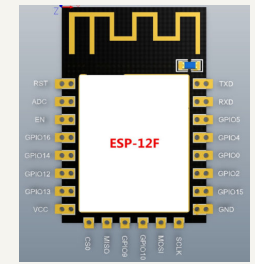
Date:

Rev:
Id: 2/3



GND
 VCC
 SCL = SPI Clock Line = SCLK = D5 = GPIO14 --> OK
 SDA = SPI Data (SPI bus data out from Arduino) = MOSI = D7 = GPIO13 --> X
 DC = SPI Data / Command Selection Pin = D1 = GPIO05
 CS1 = D2 = GPIO4
 CS2 = D4 = GPIO02
 CS3 = D3 = GPIO0
 CS4 = D0 = GPIO16
 CS5 = tx = GPIO1
 BLK = Back Light Control = VCC
 RES = Reset = GPIO16 = D0

Diapa14:51 23.06.2023ly schaltplamt
<https://www.adrirobot.it/display-ips-80x160-st7735-arduino/>



PIN DEFINITION

