

Project author: Dominik Pluta

Sheet: /
File: timer-board.kicad_sch

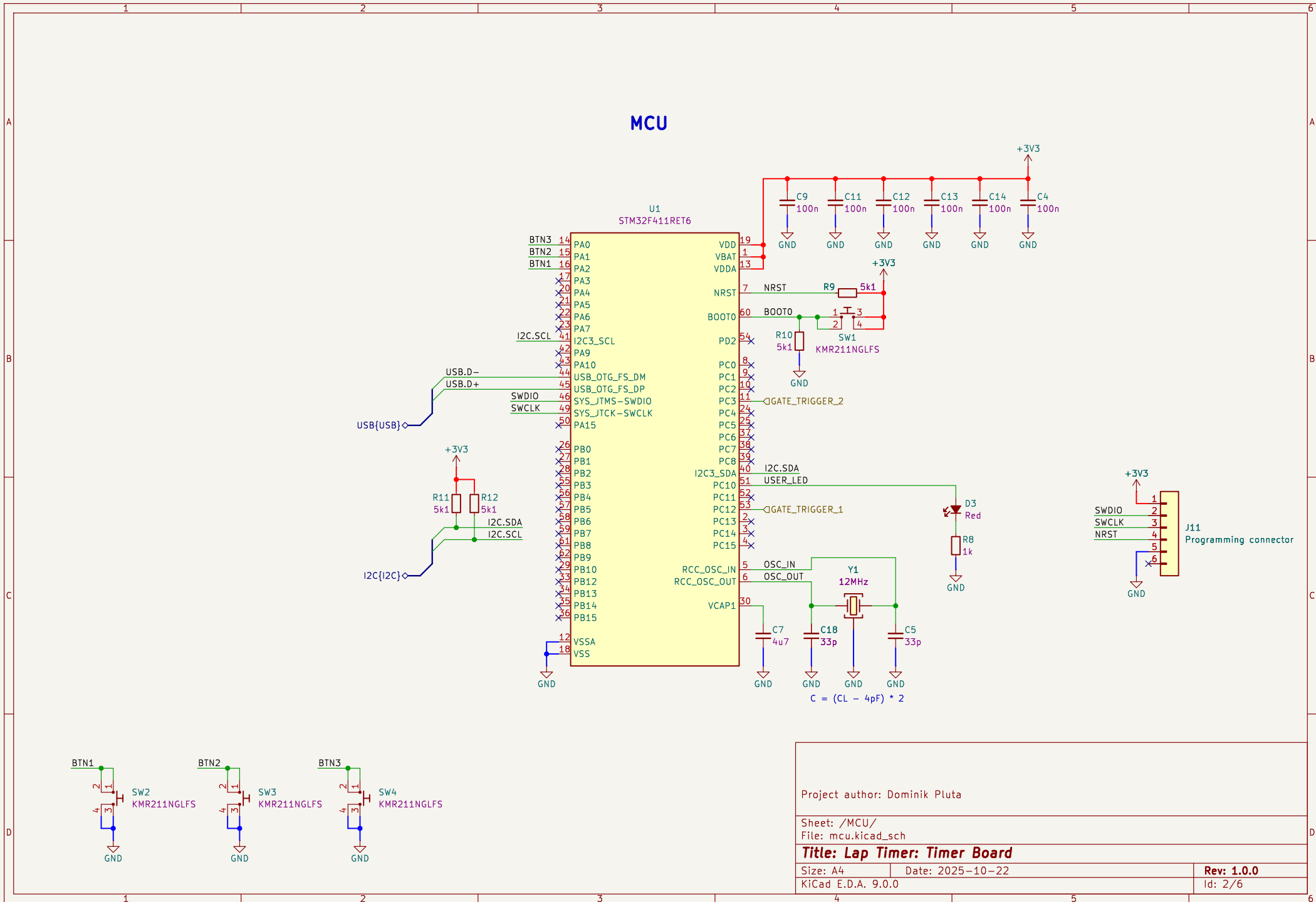
Title: Lap Timer: Timer Board

Size: A4 | Date: 2025-10-22

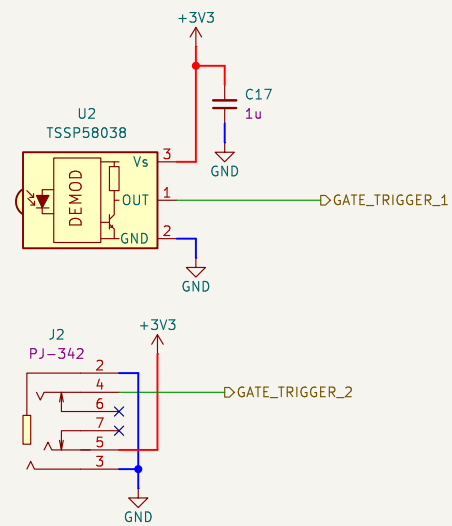
KiCad E.D.A. 9.0.0

Rev: 1.0.0

Id: 1/6



IR RECEIVER



Project author: Dominik Pluta

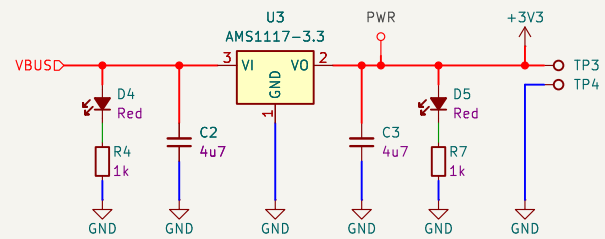
Sheet: /IR receiver/
File: ir-receiver.kicad_sch

Title: Lap Timer: Timer Board

Size: A4 Date: 2025-10-22
KiCad E.D.A. 9.0.0

Rev: 1.0.0
Id: 3/6

POWER



Project author: Dominik Pluta

Sheet: /Power/
File: power.kicad_sch

Title: Lap Timer: Timer Board

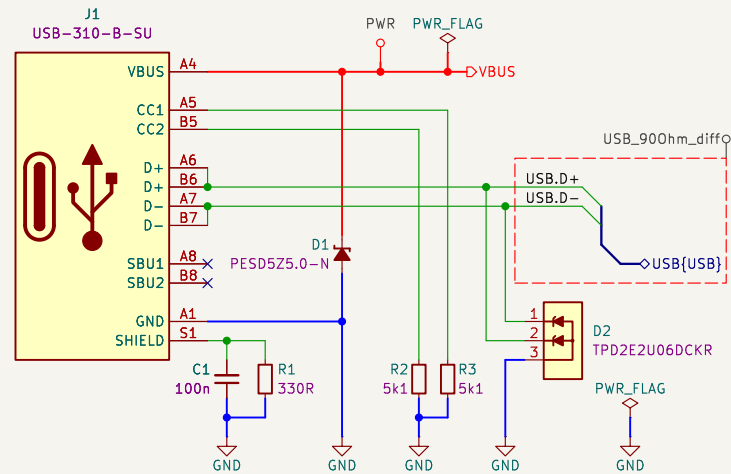
Size: A4 Date: 2025-10-22

KiCad E.D.A. 9.0.0

Rev: 1.0.0

Id: 5/6

USB-C



Project author: Dominik Pluta

Sheet: /USB/
File: usb.kicad_sch

Title: Lap Timer: Timer Board

Size: A4 Date: 2025-10-22

KiCad E.D.A. 9.0.0

Rev: 1.0.0

Id: 6/6