



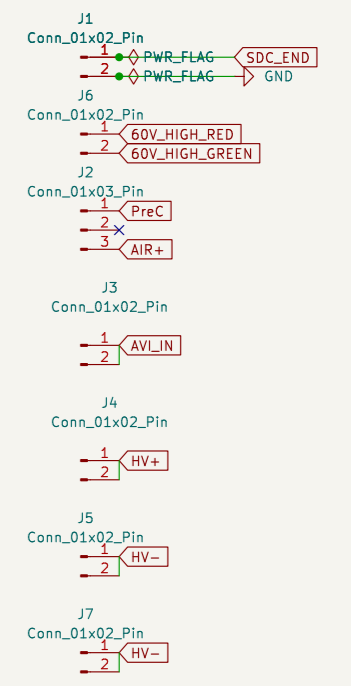
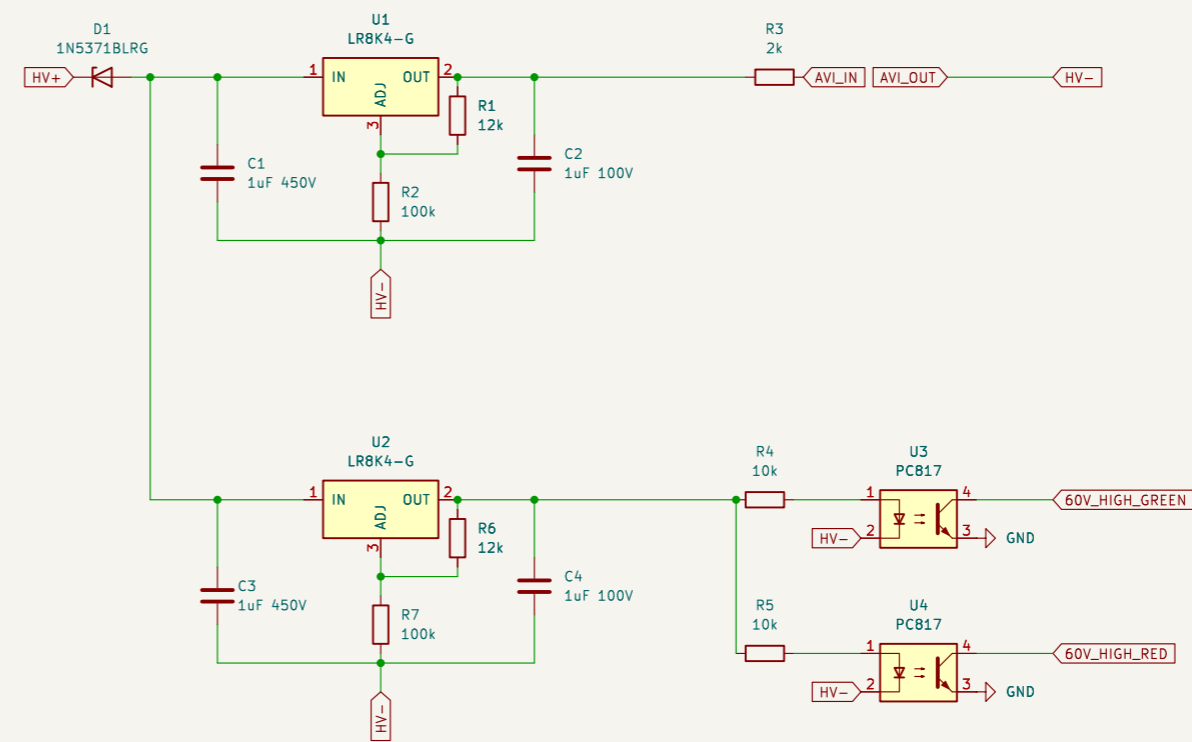
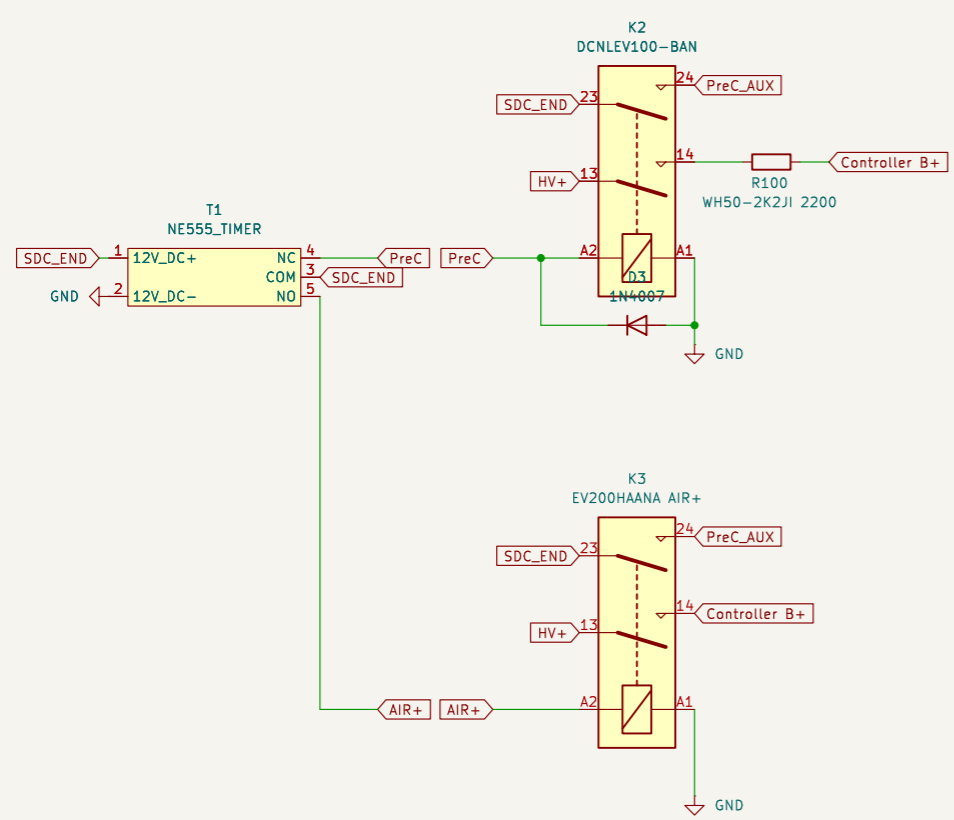


-  H1 MountingHole
-  H2 MountingHole
-  H3 MountingHole
-  H4 MountingHole



Sheet: /		
File: PreC+AVI.kicad_sch		
<b>Title:</b>		
Size: A3	Date:	Rev:
KiCad E.D.A. 9.0.0		Id: 1/1