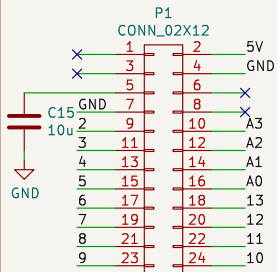
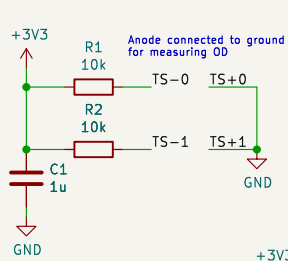


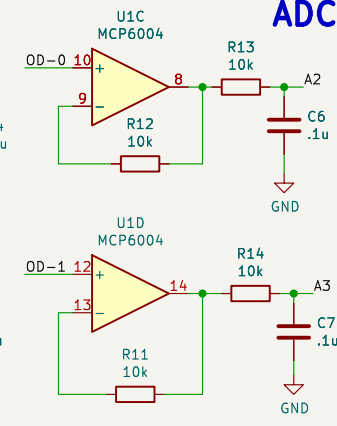
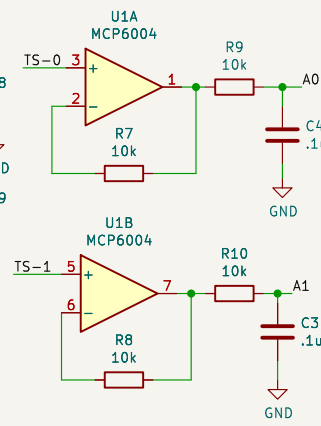
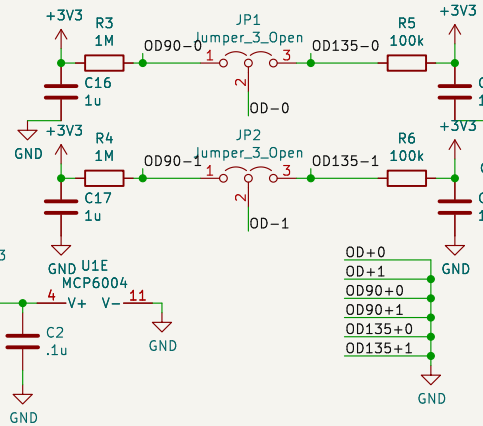
### SAMD21



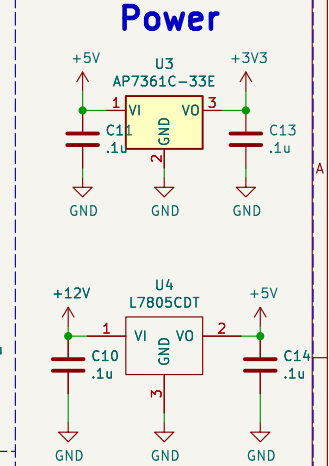
OP0/1 | A0/1 - Temp  
OP2/3 | A2/3 - OD



1u resistor should also be close to OD resistors

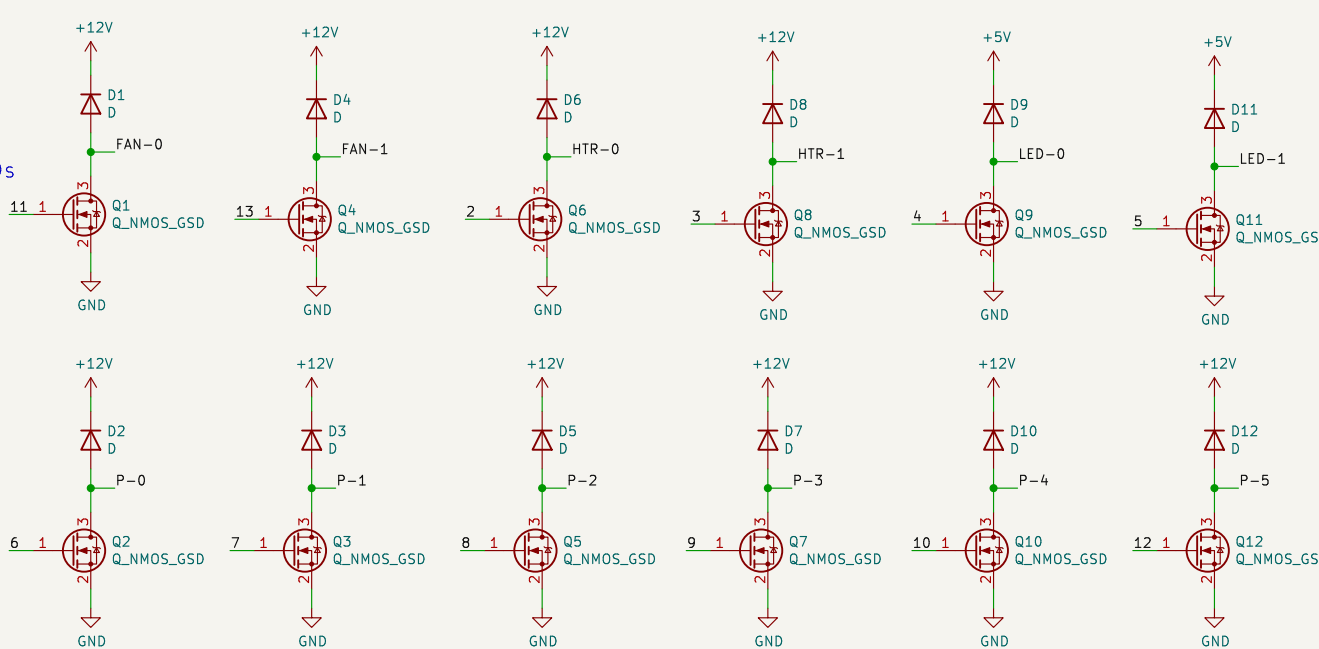


### ADC

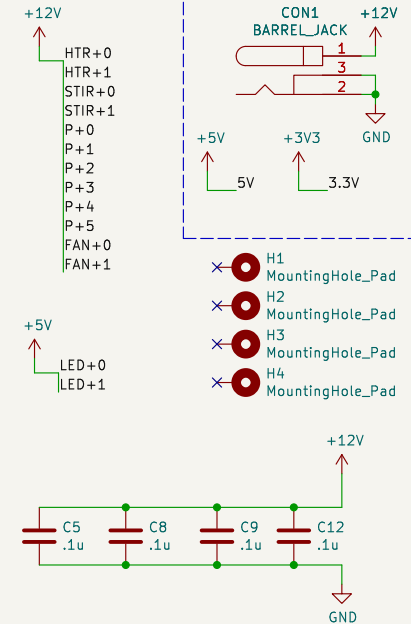


### PWM

Stirs, heaters, LEDs

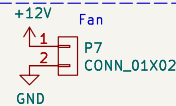
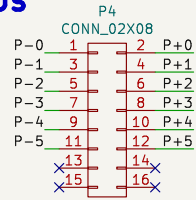
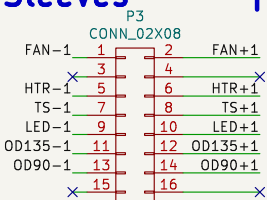
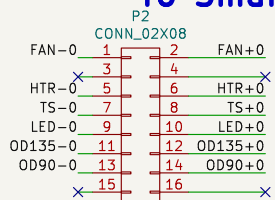


Pumps



### To Smart Sleeves

### To Pumps



Sheet: /  
File: min-evolver.kicad\_sch

Title:

Size: A4 Date:  
KiCad E.D.A. 9.0.0

Rev:  
Id: 1/1