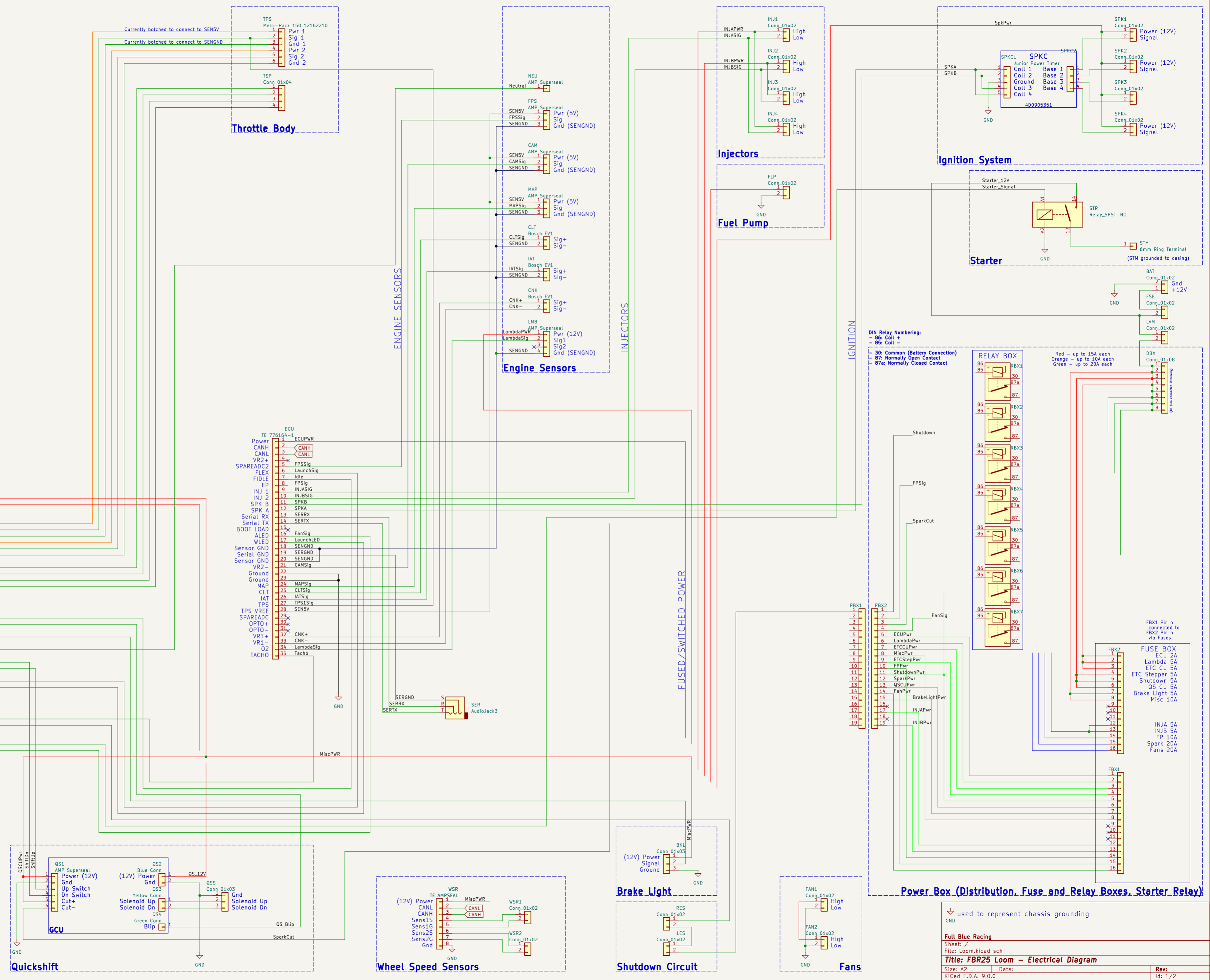


**FIREWALL CONNECTOR
HDP24-24-31SE**

- Pinout:**
- 1 MiscPWR
 - 2 ETC CU Power
 - 3 StepperPWR
 - 4 IdleCtrl
 - 5 Blip
 - 6 TPS Power 1
 - 7 TPS Signal 1
 - 8 TPS Ground 1
 - 9 TPS Power 2
 - 10 TPS Signal 2
 - 11 TPS Ground 2
 - 12 Stepper 1+
 - 13 Stepper 1-
 - 14 Stepper 2+
 - 15 Stepper 2-
 - 16 Neutral
 - 17 Shift Down
 - 18 Shift Up
 - 19 Tachometer
 - 20 Shutdown Out
 - 21 Starter Sig
 - 22 Fan Sig
 - 23 BLS Sig
 - 24 Launch Sig
 - 25 Launch LED
 - 26
 - 27
 - 28 Brake Light PWR
 - 29 CANH
 - 30 CANL
 - 31 Shutdown PWR

- Front of Firewall**
- MiscPwrC
 - StepperPwrC
 - ETC CU PowerC
 - TPSPwr1D
 - TPSSig1C
 - TPSGnd1D
 - TPSPwr2D
 - TPSSig2C
 - TPSGnd2D
 - STEP-1+D
 - STEP-1-D
 - STEP-2+D
 - STEP-2-D
 - IdleCtrlC
 - BlipC
 - BLS5SigD
 - NeutralC
 - ShiftDnD
 - ShiftUpD
 - LaunchSigD
 - LaunchLED
 - TachoC
 - Shutdown
 - StarterSigD
 - FanSigD
 - Brake Light PowerC
 - CANL
 - CANH
 - Shutdown PowerC

File: front.kicad_sch



DIY Relay Numbering:
- B6: Coil +
- B5: Coil -
- 30: Common (Battery Connection)
- B7: Normally Open Contact
- B7a: Normally Closed Contact

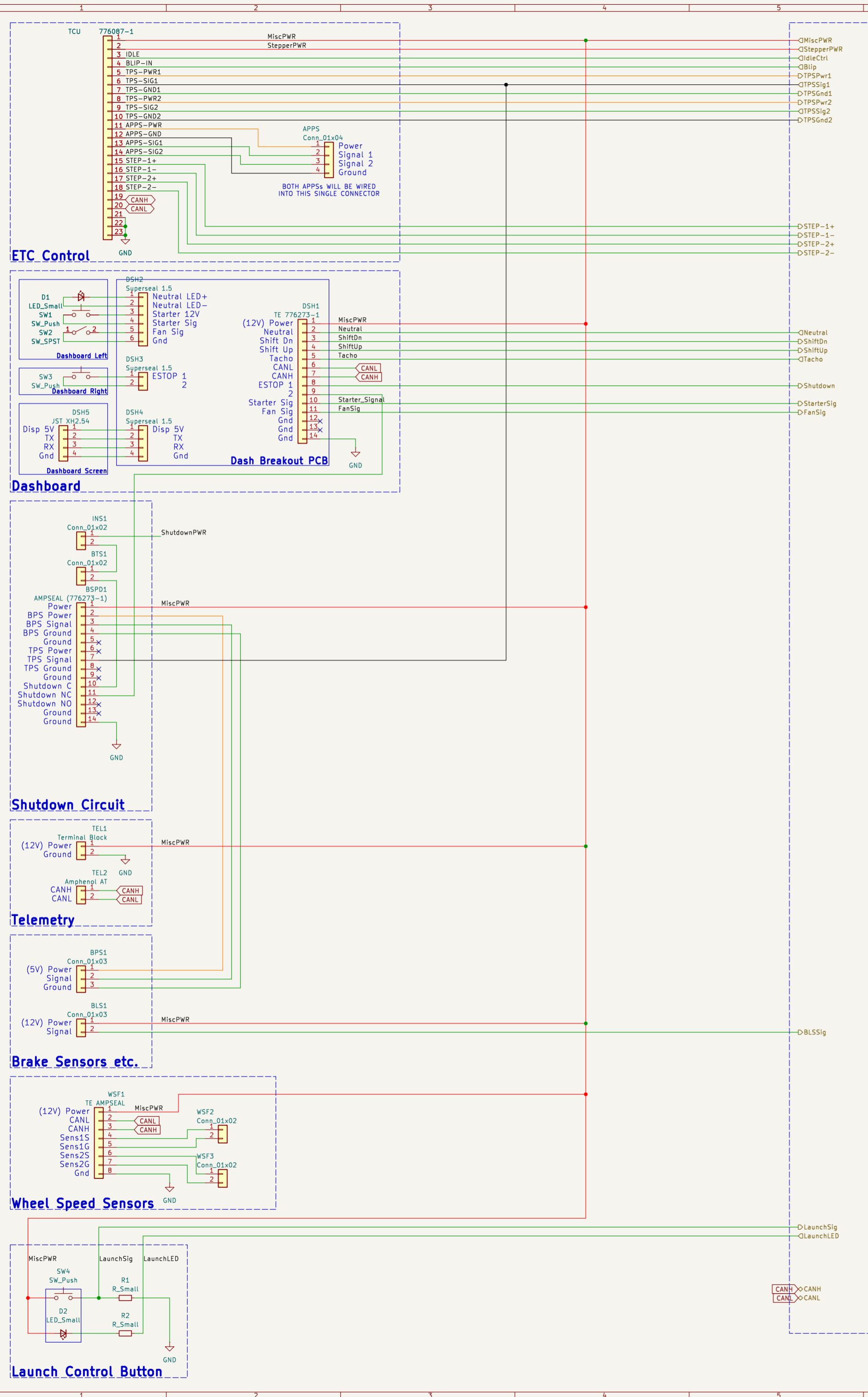
Red - up to 15A each
Orange - up to 10A each
Green - up to 20A each

FBX1 Pin n connected to FBX2 Pin n via Fuses

FUSE BOX
ECU 2A
Lambda 5A
ETC CU 5A
ETC Stepper 5A
Shutdown 5A
QS CU 5A
Brake Light 5A
Misc 10A

INJA 5A
INJB 5A
FP 10A
Spark 20A
Fans 20A

used to represent chassis grounding
GND



**FIREWALL CONNECTOR
HDP26-24-31PE**

- Pinout:**
- 1 MiscPWR
 - 2 StepperPWR
 - 3
 - 4 IdleCtrl
 - 5 Blip
 - 6 TPS Power 1
 - 7 TPS Signal 1
 - 8 TPS Power 2
 - 9 TPS Signal 2
 - 10 TPS Ground 2
 - 11 Stepper 1+
 - 12 Stepper 1-
 - 13 Stepper 2+
 - 14 Stepper 2-
 - 15 Neutral
 - 16 Shift Down
 - 17 Shift Up
 - 18 Tachometer
 - 19 Shutdown Out
 - 20 Starter Sig
 - 21 Fan Sig
 - 22 BLS Sig
 - 23 Launch Sig
 - 24 Launch LED
 - 25
 - 26
 - 27
 - 28
 - 29 CANH
 - 30 CANL
 - 31 Shutdown PWR