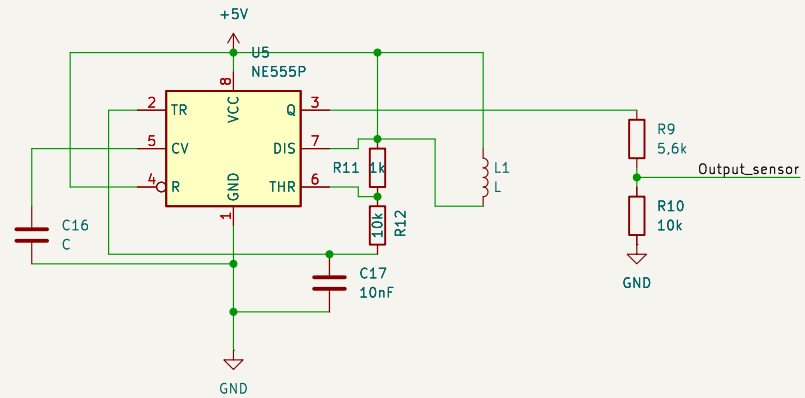
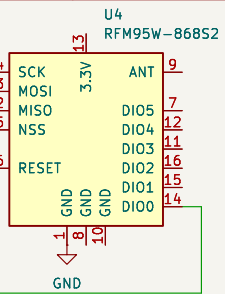
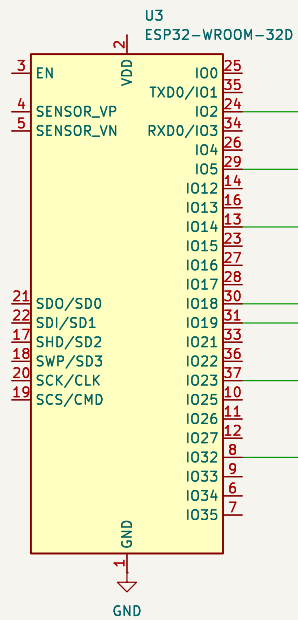


Sheet: /	
File: Electro sensor.kicad_sch	
Title:	
Size: A4	Date:
KiCad E.D.A. 9.0.0	Rev: 1/2



Sheet: /Prototype 1/
File: Prototype_1.kicad_sch

Title:

Size: A4
KiCad E.D.A. 9.0.0

Date:

Rev:

Id: 2/2