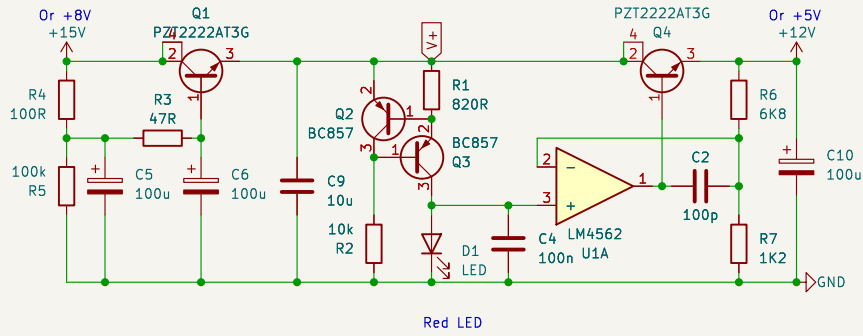
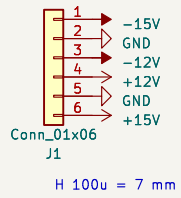


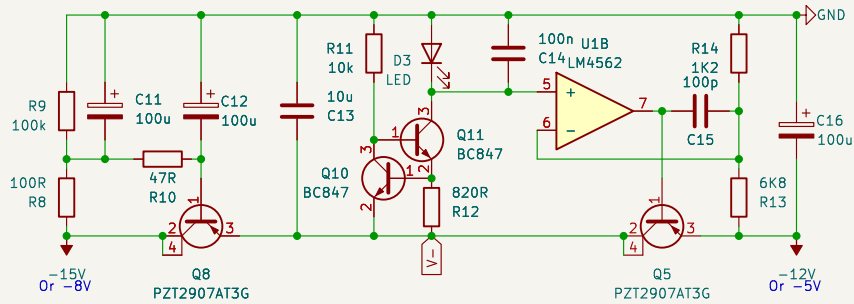
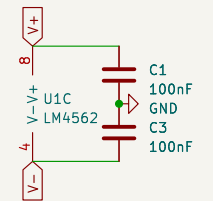
Check 857 pinout

10uF instead of 100uF?



For +5V:
R6 = R13 = 2K7Q
R7 = R14 = 1K5Q

input decoupling capacitor for LM4562



PZT2222AT3G;
<https://nl.farnell.com/on-semiconductor/pzt2222at3g/transistor-bipol-npn-40v-sot-223/dp/2533342?st=pzt2222a>

PZT2907AT3G;
<https://nl.farnell.com/on-semiconductor/pzt2907at3g/transistor-bipol-pnp-60v-sot-223/dp/2533343?st=pzt2907a>

Sheet: /
File: Discrete_linear_regulator.kicad_sch

Title:

Size: A4
KiCad E.D.A. 9.0.0

Date:

Rev:
Id: 1/1