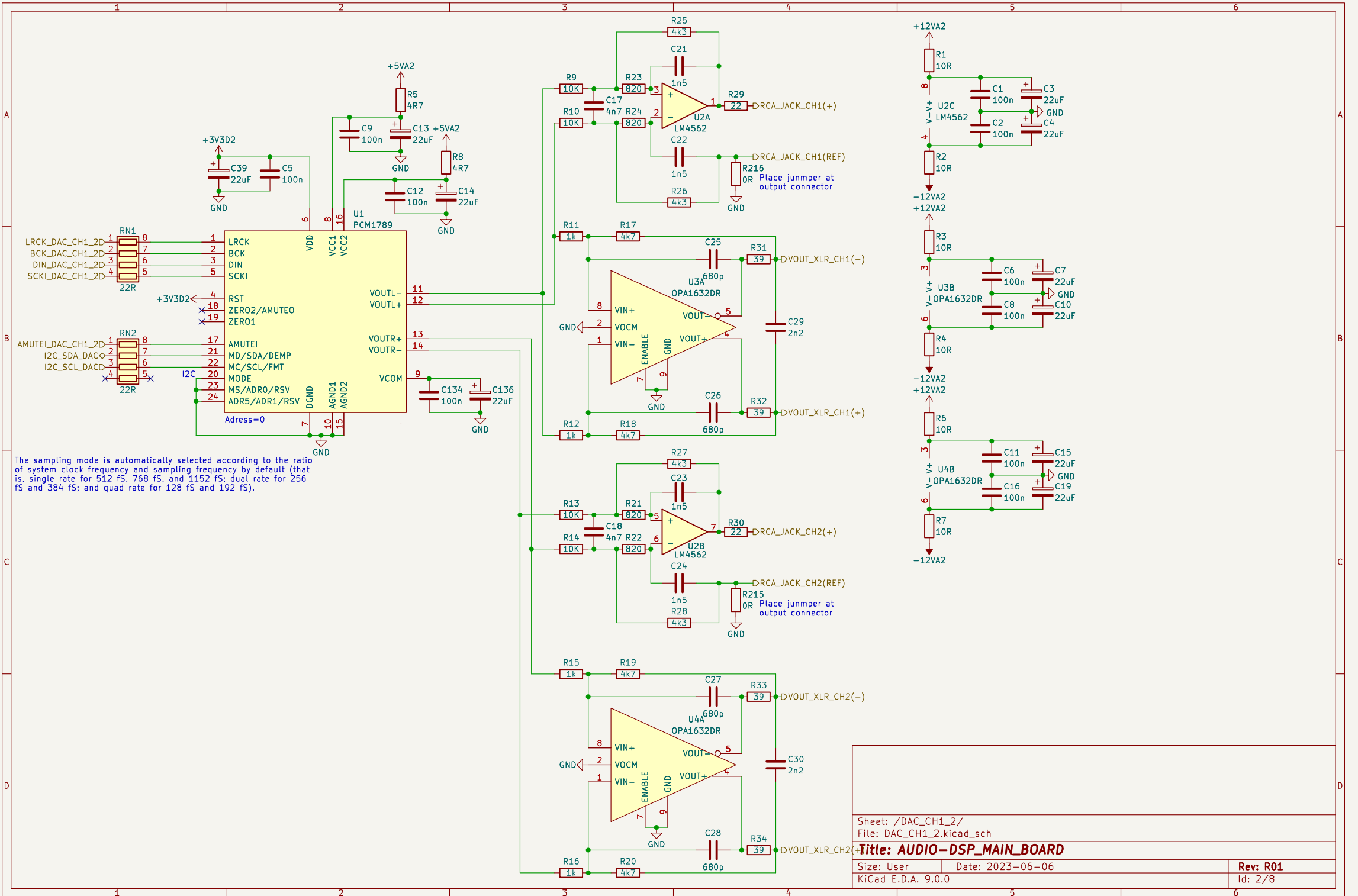


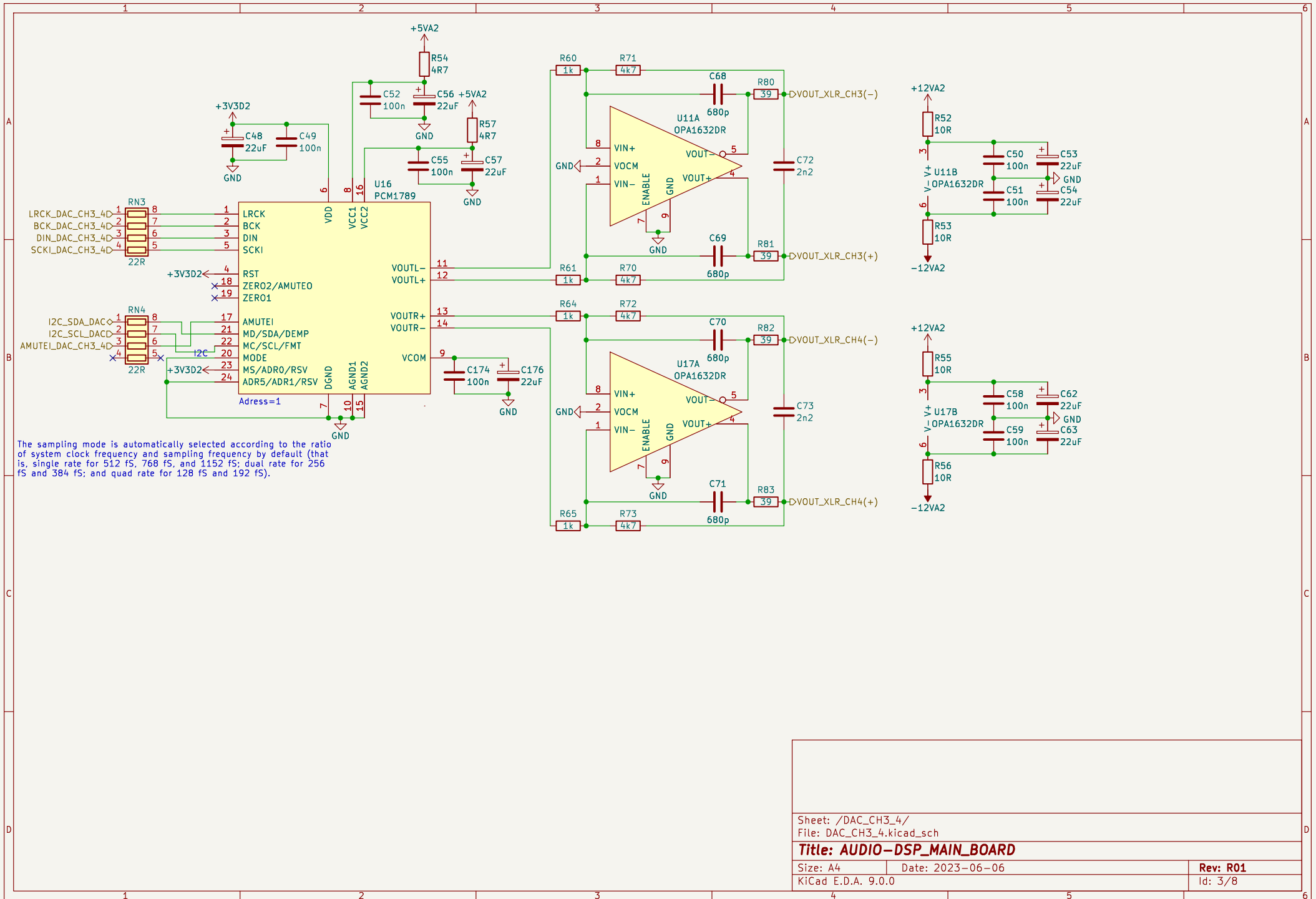
| | | | |
|------------------------------------|------------------|----------------------------|--|
| Sheet: / | | File: Main board.kicad_sch | |
| Title: AUDIO-DSP_MAIN_BOARD | | | |
| Size: A4 | Date: 2023-06-06 | Rev: R01 | |
| KiCad E.D.A. 9.0.0 | | Id: 1/8 | |



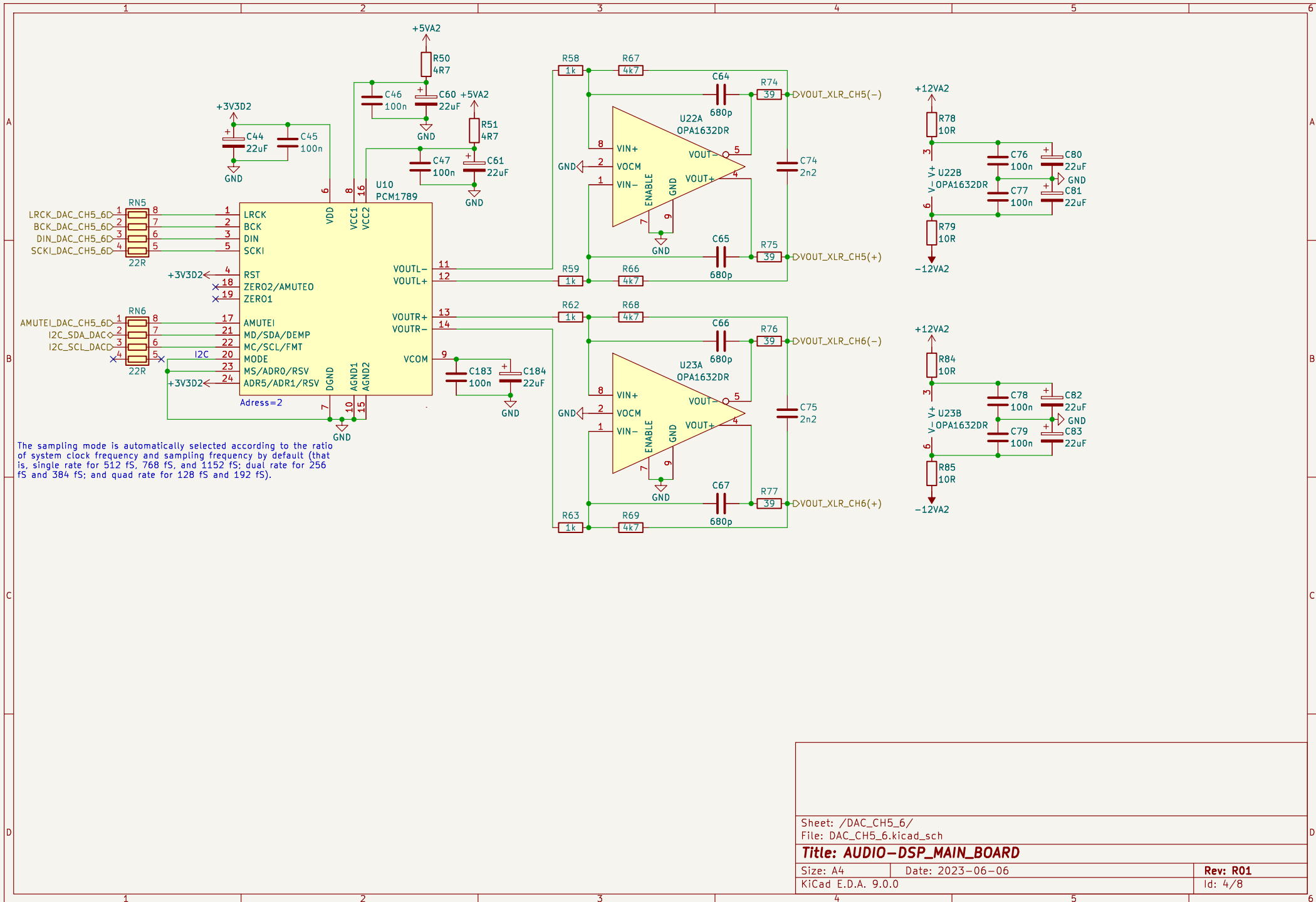
The sampling mode is automatically selected according to the ratio of system clock frequency and sampling frequency by default (that is, single rate for 512 fS, 768 fS, and 1152 fS; dual rate for 256 fS and 384 fS; and quad rate for 128 fS and 192 fS).

Sheet: /DAC_CH1_2/
 File: DAC_CH1_2.kicad_sch
Title: AUDIO-DSP_MAIN_BOARD

| | | |
|--------------------|------------------|----------|
| Size: User | Date: 2023-06-06 | Rev: R01 |
| KiCad E.D.A. 9.0.0 | | Id: 2/8 |



| | | | |
|------------------------------------|------------------|------------------|--|
| Sheet: /DAC_CH3_4/ | | Date: 2023-06-06 | |
| File: DAC_CH3_4.kicad_sch | | Rev: R01 | |
| Title: AUDIO-DSP_MAIN_BOARD | | | |
| Size: A4 | Date: 2023-06-06 | Rev: R01 | |
| KiCad E.D.A. 9.0.0 | | Id: 3/8 | |

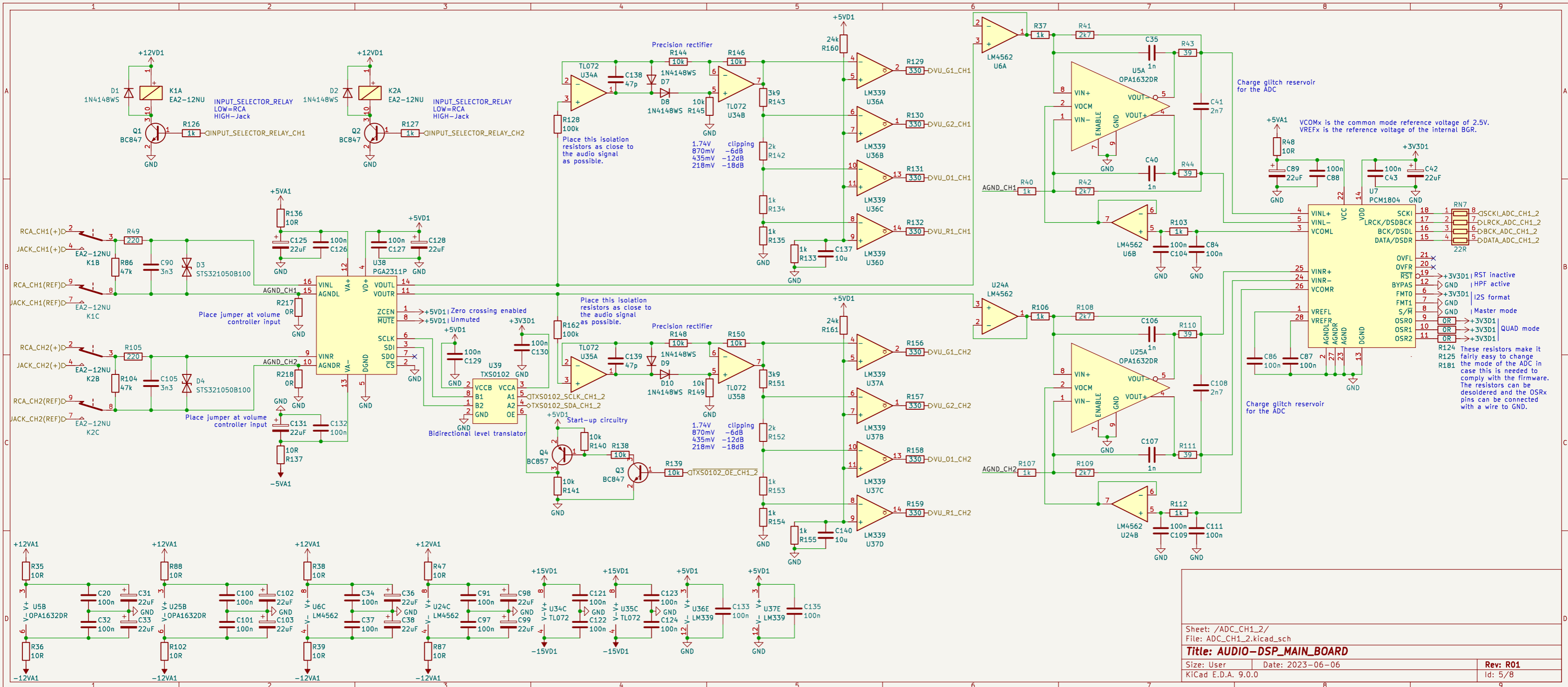


Sheet: /DAC_CH5_6/
 File: DAC_CH5_6.kicad_sch

Title: AUDIO-DSP_MAIN_BOARD

Size: A4 Date: 2023-06-06
 KiCad E.D.A. 9.0.0

Rev: R01
 Id: 4/8



| | |
|------------------------------------|------------------|
| Sheet: /ADC_CH1_2/ | |
| File: ADC_CH1_2.kicad_sch | |
| Title: AUDIO-DSP_MAIN_BOARD | |
| Size: User | Date: 2023-06-06 |
| KiCad E.D.A. 9.0.0 | Rev: R01 |
| | Id: 5/8 |

