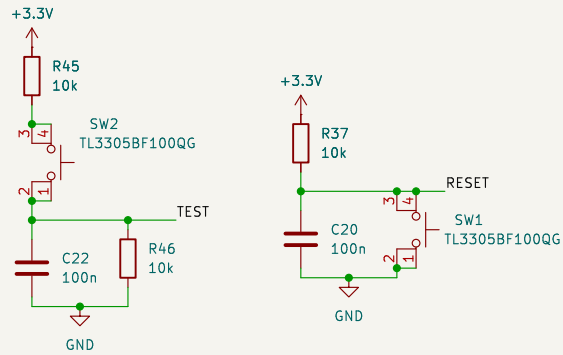
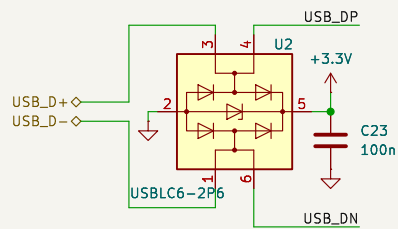


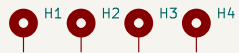
Programming buttons



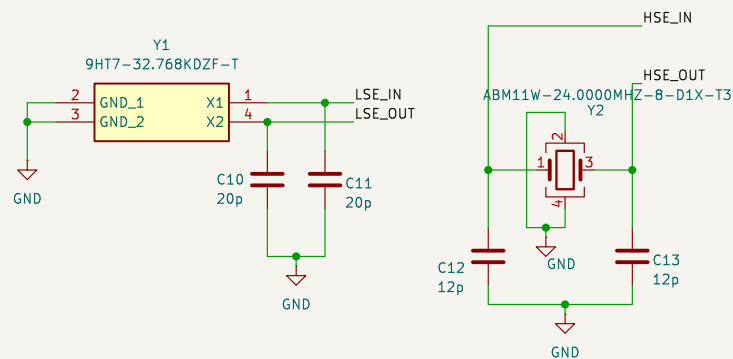
USB flashing



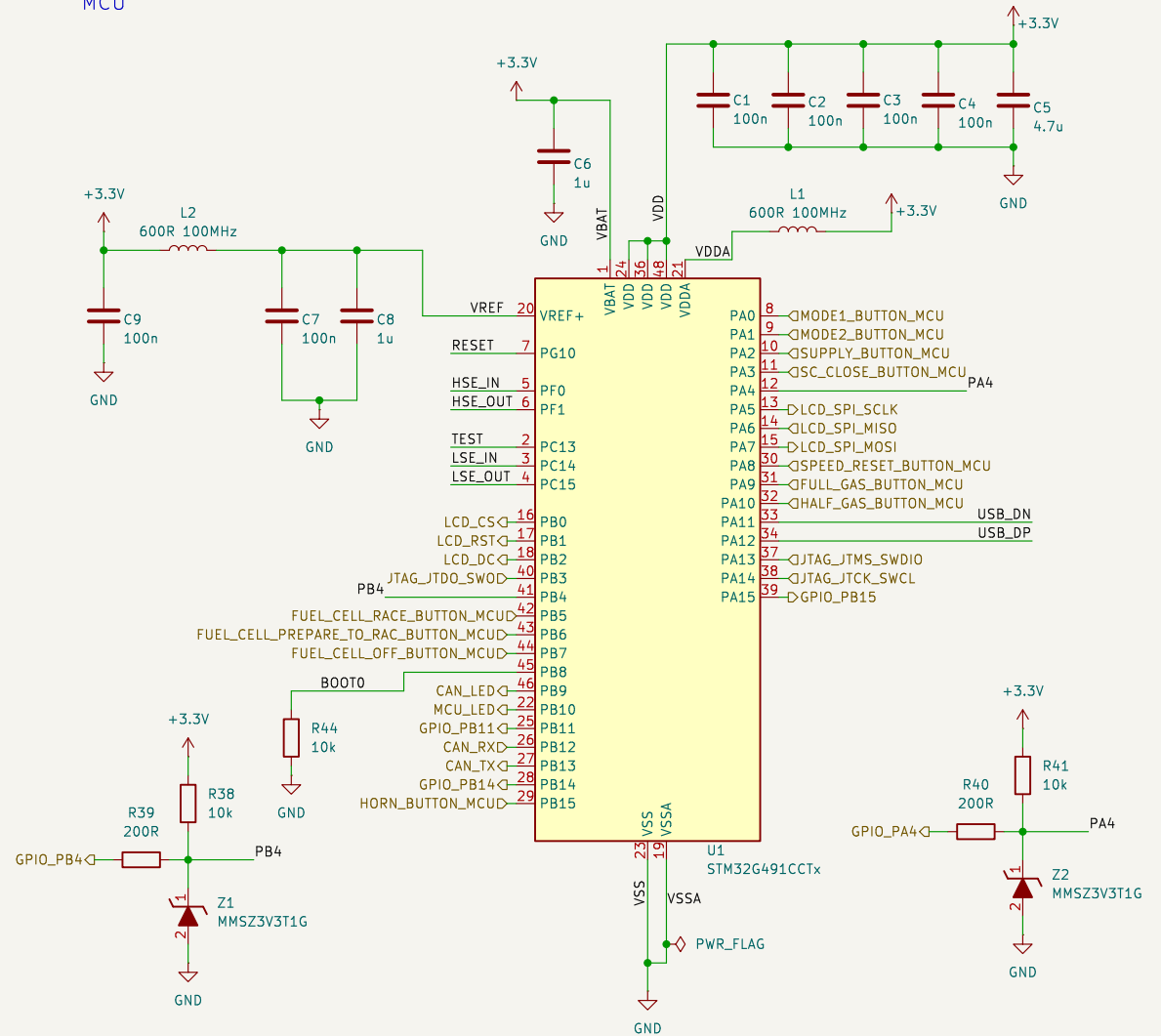
Mounting holes



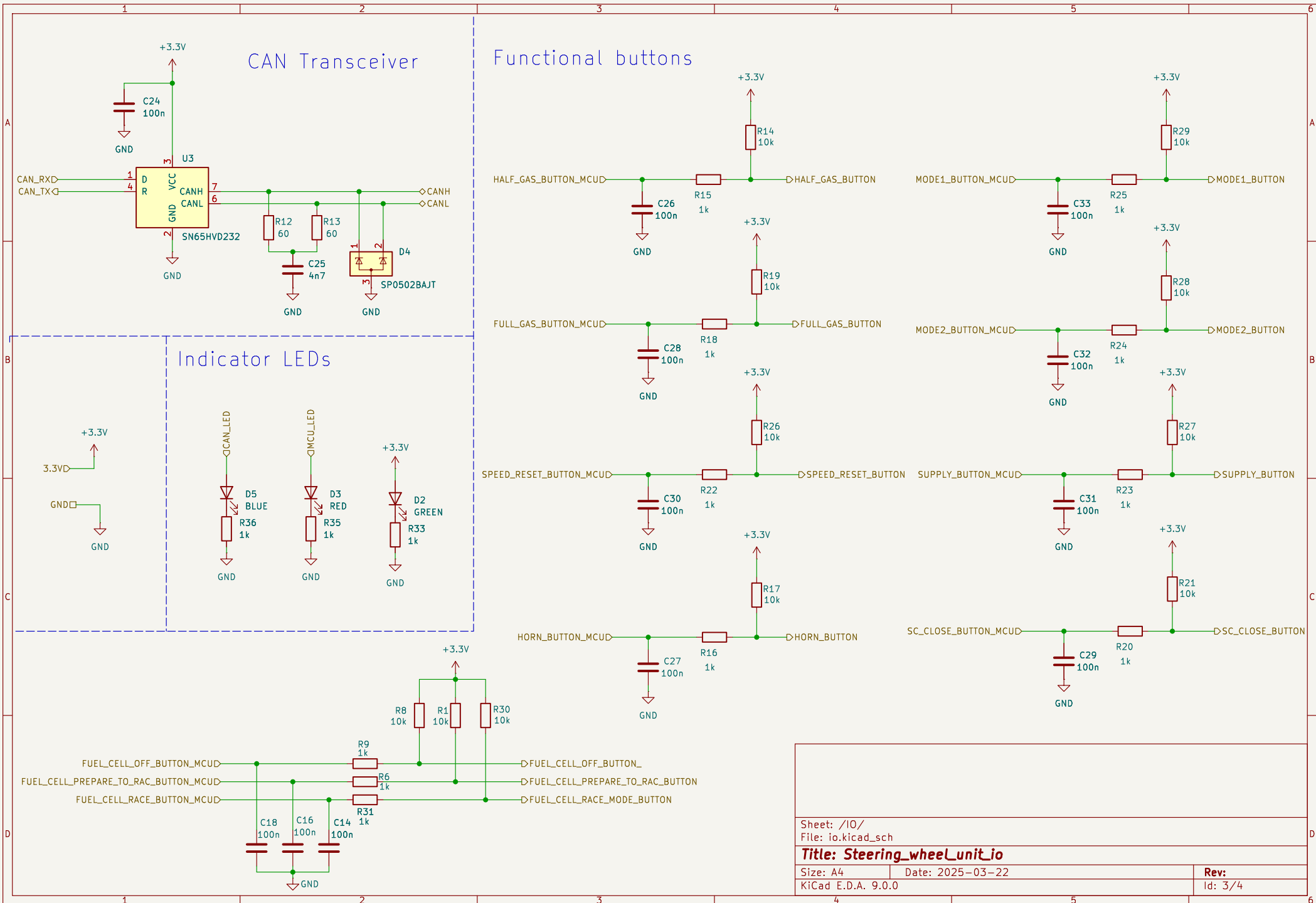
Crystal oscillators



MCU

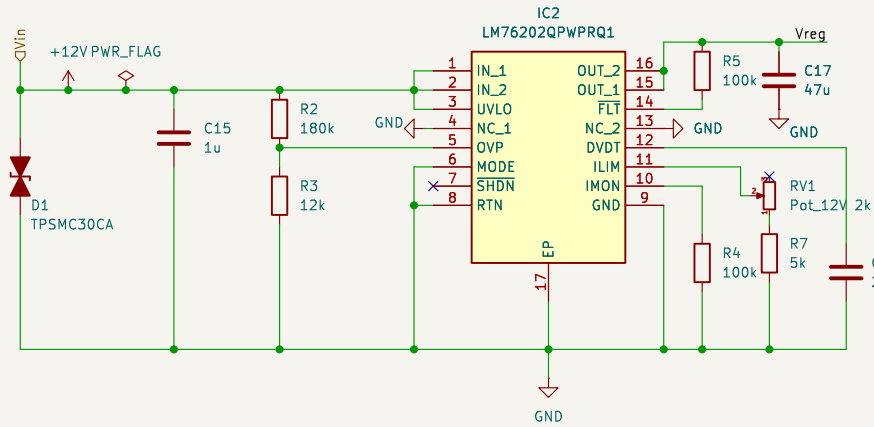


Sheet: /MCU/		Date: 2025-03-22	
File: mcu.kicad_sch		Rev:	
<b>Title: Steering wheelUnit_mcu</b>		Id: 2/4	
Size: A4	KiCad E.D.A. 9.0.0		

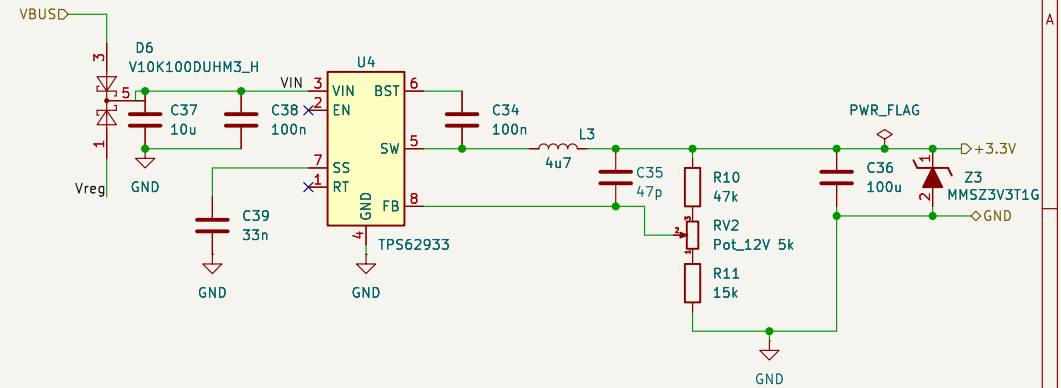


Sheet: /10/		Date: 2025-03-22	
File: io.kicad_sch		Rev:	
<b>Title: Steering_wheelUnit_io</b>		Id: 3/4	
Size: A4	KiCad E.D.A. 9.0.0		

### Ideal diode circuit



### Buck converter (+3.3 V)



Sheet: /POWER/  
File: power.kicad\_sch

**Title: Steering\_wheelUnit\_pwr**

Size: A4 Date: 2025-03-22

KiCad E.D.A. 9.0.0

Rev:  
Id: 4/4