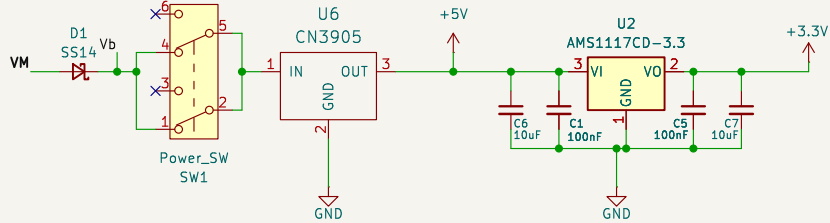
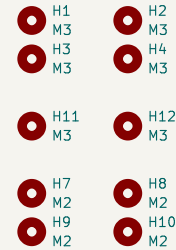


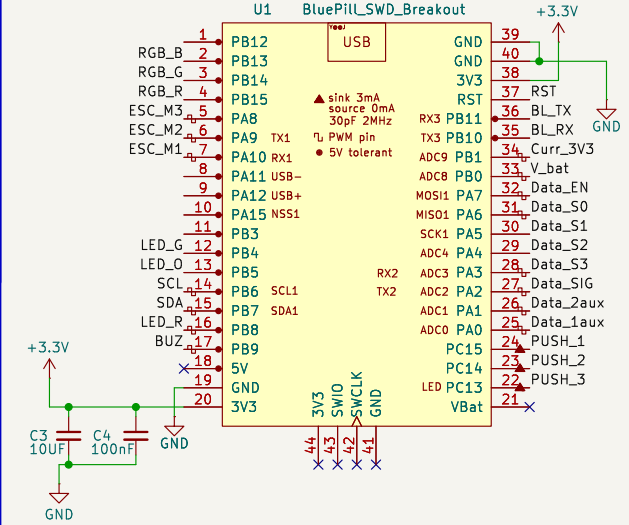
Battery Supply – 2S LiPo



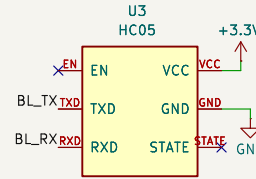
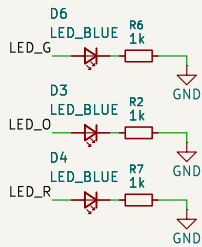
Mounting Holes



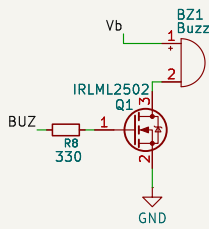
MCU



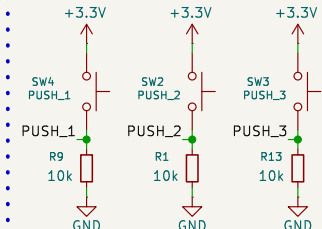
Interfaces



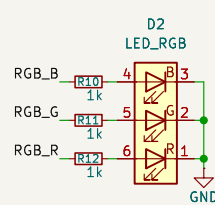
Passive Buzzer



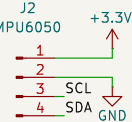
Buttons



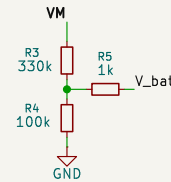
RGB LED



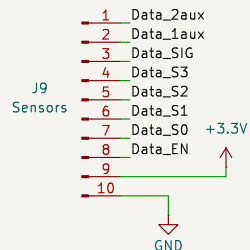
I2C Connections



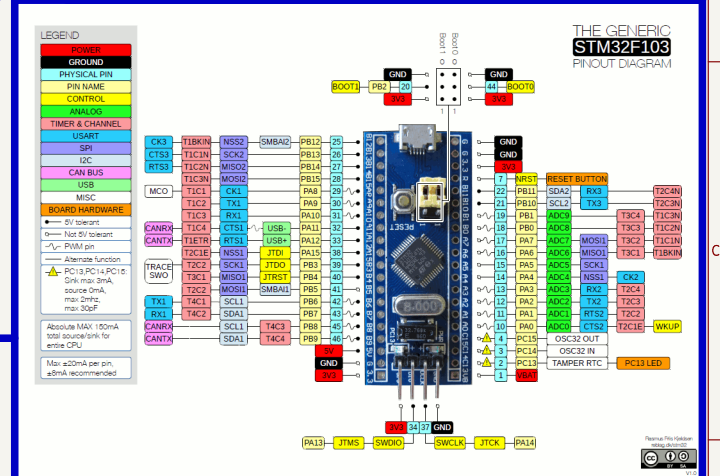
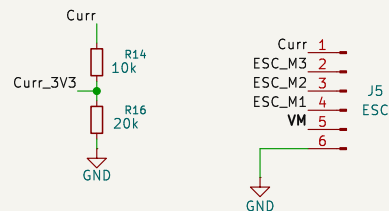
Battery level



Sensors Input



ESCs Connections



JRegi

Sheet: /
File: printable_PCB.kicad_sch

Title: MagicAlonso main control PCB

Size: A4 Date: 2025-06-01
KiCad E.D.A. 9.0.0

Rev:
Id: 1/1