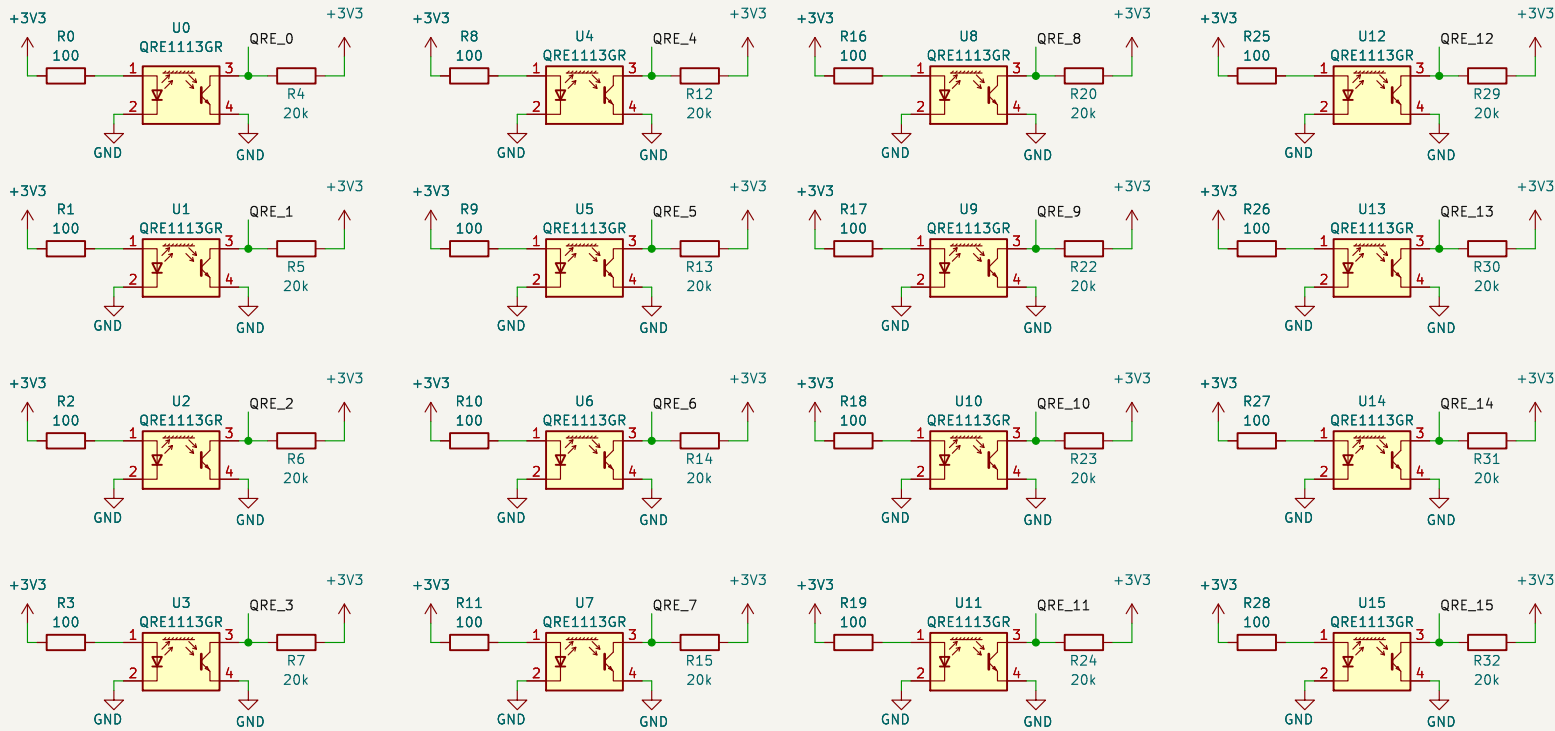
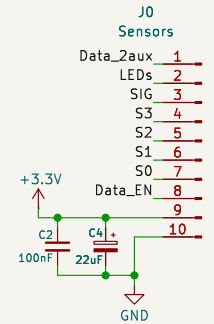


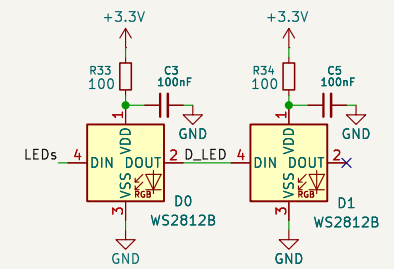
QRE1113



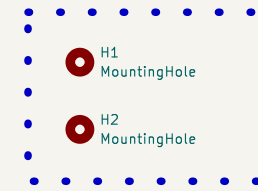
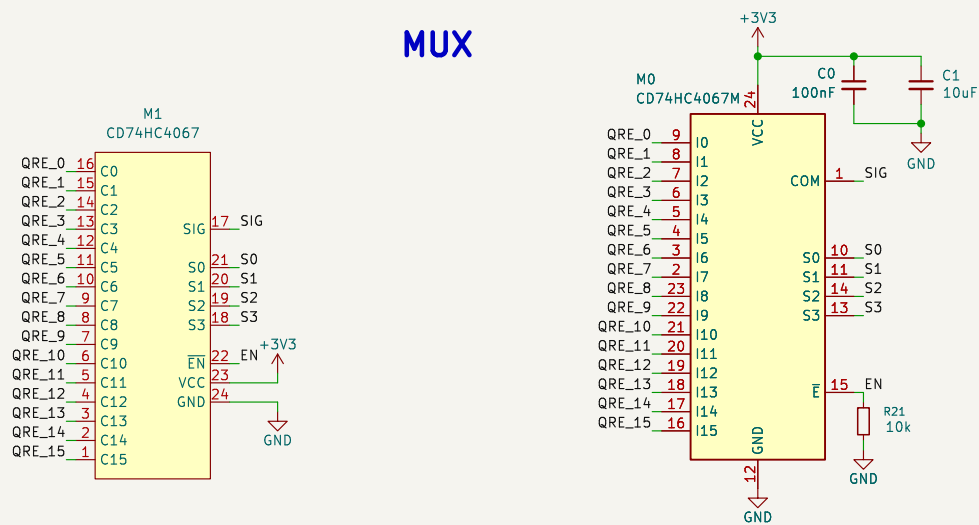
Connectors



LEDs



MUX



Sheet: /
File: sensors16_MagicAlonso.kicad_sch

Title:	Date:	Rev:
Size: A4	KiCad E.D.A. 9.0.0	Id: 1/1