

Sheet: /ESC1/
File: ESC.kicad_sch

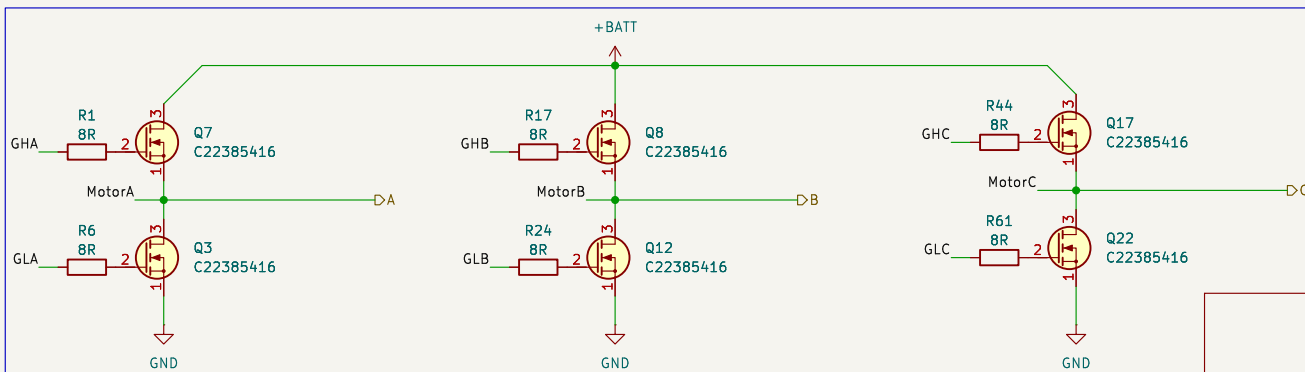
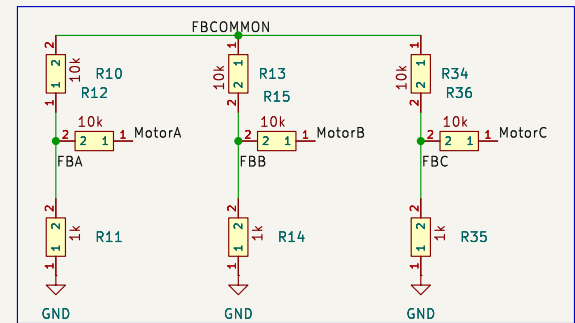
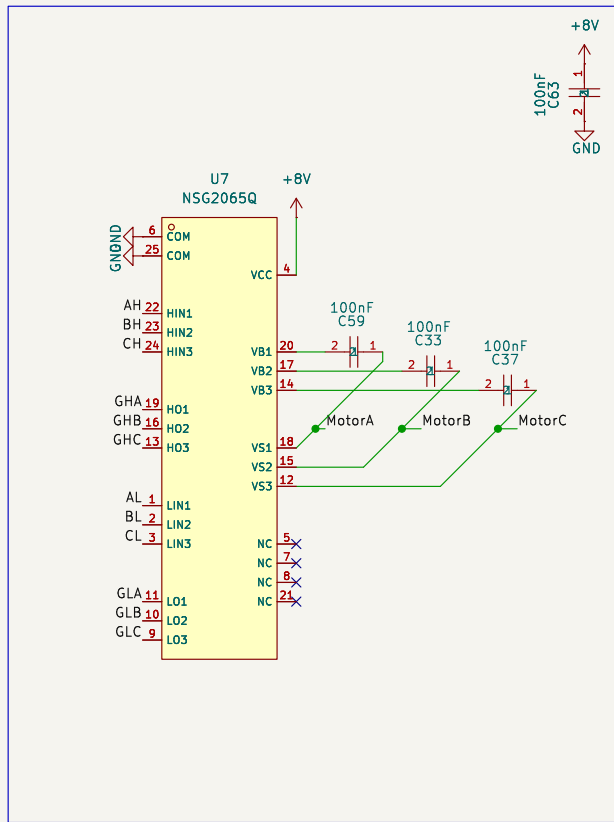
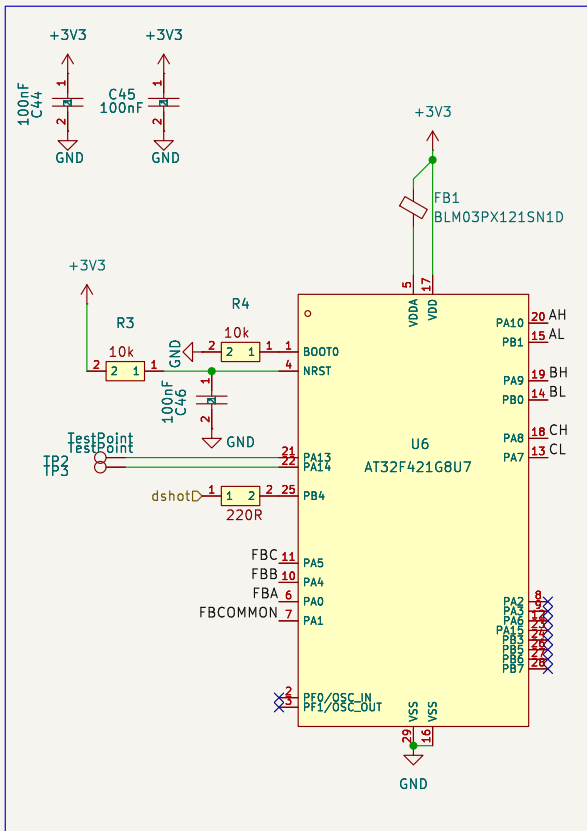
Title:

Size: A4
KiCad E.D.A. 9.0.0

Date:

Rev:

Id: 2/5



Sheet: /ESC2/
File: ESC.kicad_sch

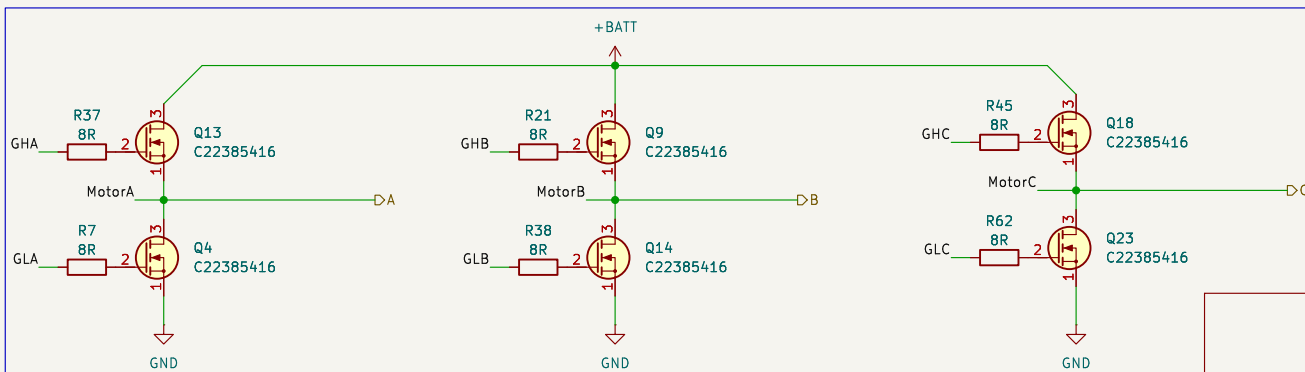
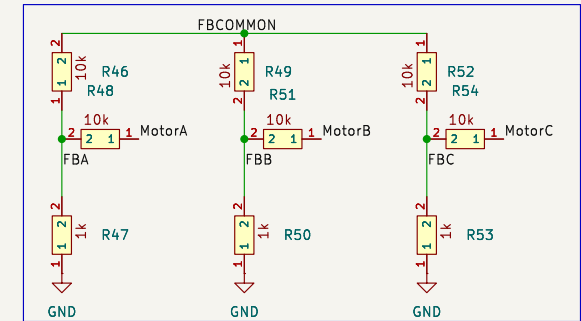
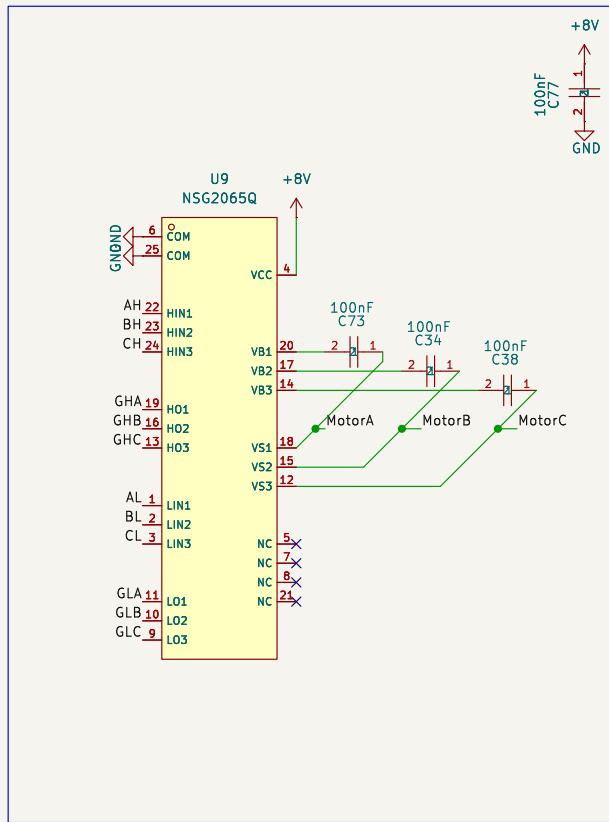
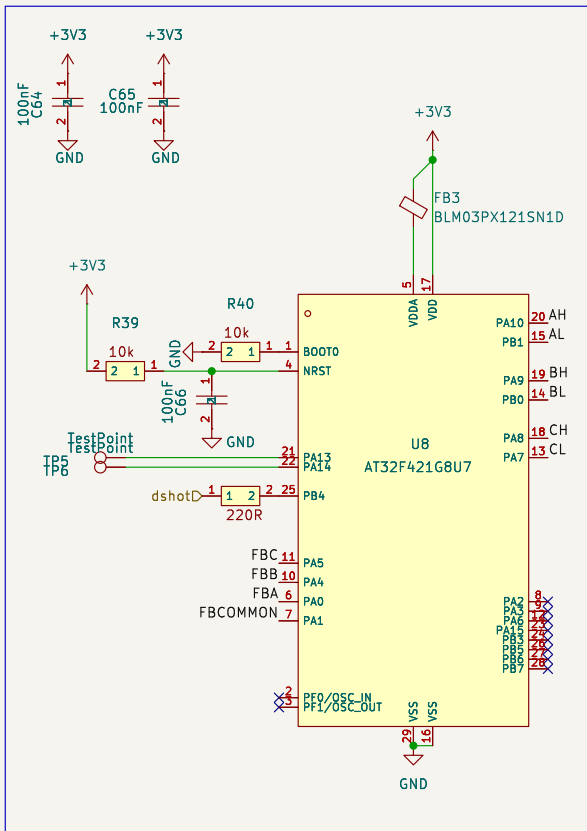
Title:

Size: A4
KiCad E.D.A. 9.0.0

Date:

Rev:

Id: 3/5



Sheet: /ESC3/
File: ESC.kicad_sch

Title:

Size: A4
KiCad E.D.A. 9.0.0

Date:

Rev:

Id: 4/5

