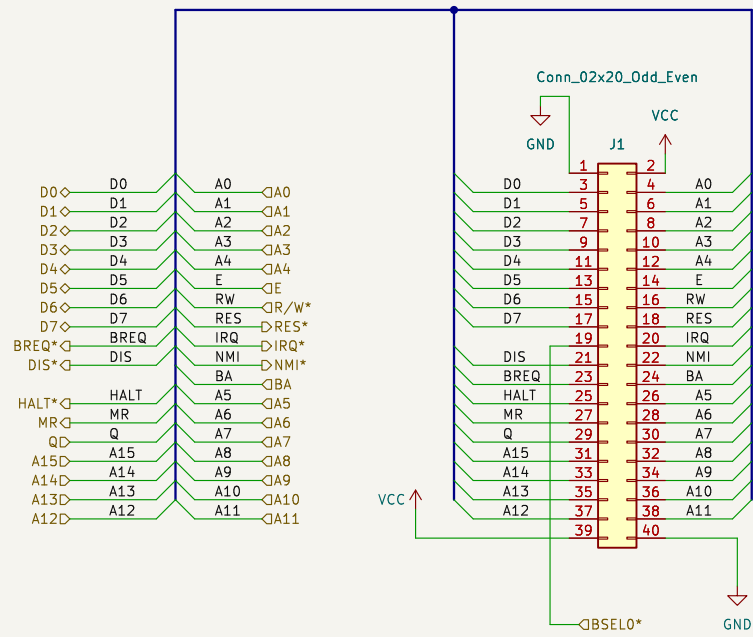


kw		
Sheet: /		
File: m8.kicad_sch		
Title: M8 bus and board specification template		
Size: A4	Date: 2024-11-06	Rev: 1
KiCad E.D.A. 9.0.0		Id: 1/2



kw		
Sheet: /bus/		
File: bus_sch.kicad_sch		
Title: M8 bus and board specification template		
Size: A4	Date: 2023-10-05	Rev: 1
KiCad E.D.A. 9.0.0		Id: 3/2