

1

2

3

4

5

A

A

B

B

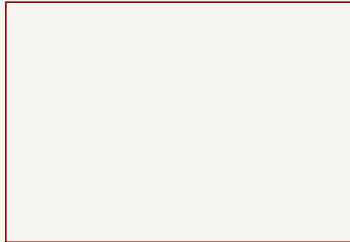
C

C

D

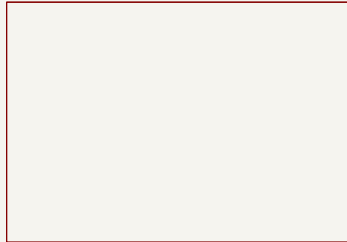
D

Power



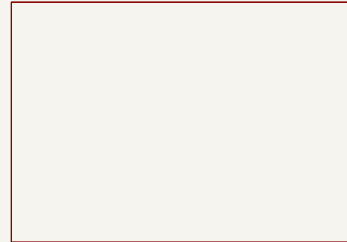
File: power.kicad\_sch

RP2040



File: mcu.kicad\_sch

High voltage



File: high\_voltage.kicad\_sch

Sheet: /		File: picoemp_kicad.kicad_sch	
<b>Title: High Voltage Circuitry</b>			
Size: USLetter	Date:	Rev: .	
KiCad E.D.A. 9.0.0		Id: 1/4	

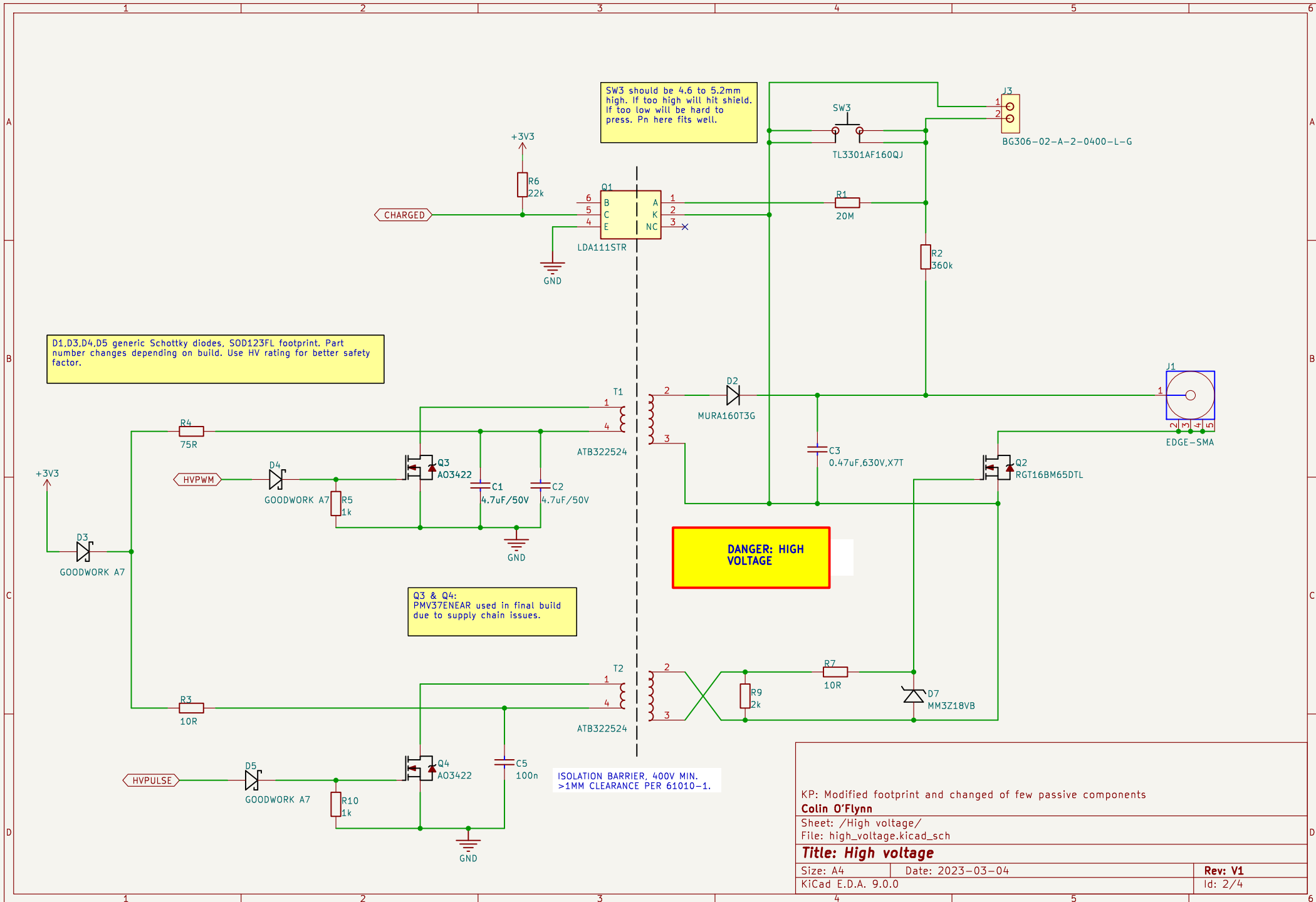
1

2

3

4

5



KP: Modified footprint and changed of few passive components

Colin O'Flynn

Sheet: /High voltage/  
File: high\_voltage.kicad\_sch

**Title: High voltage**

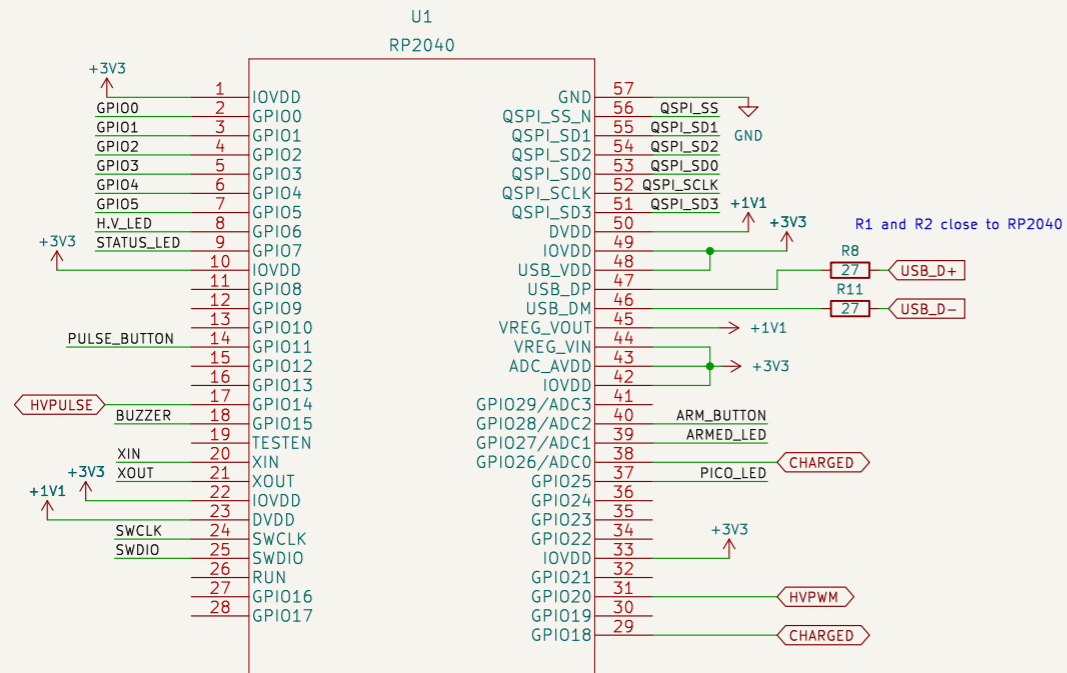
Size: A4 Date: 2023-03-04

KiCad E.D.A. 9.0.0

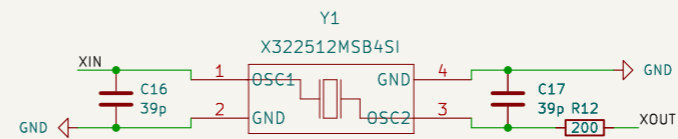
Rev: V1

Id: 2/4

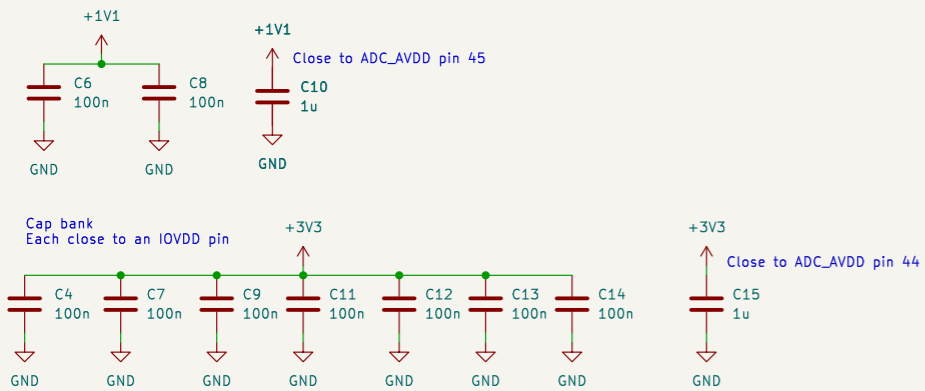
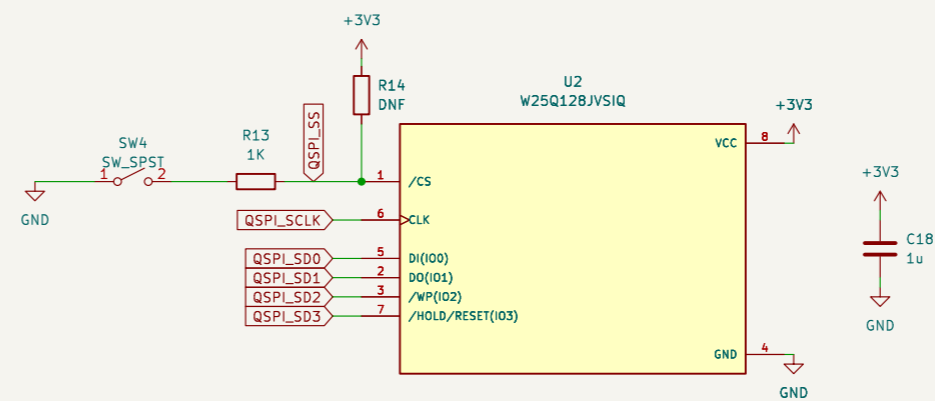
### MCU



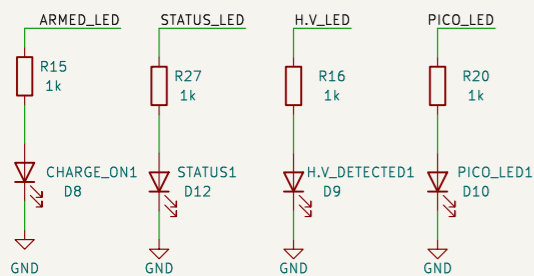
### MCU crystal



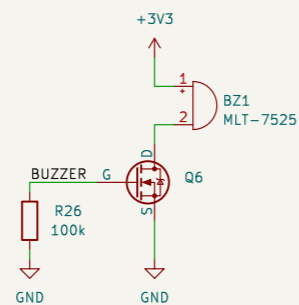
### Flash storage



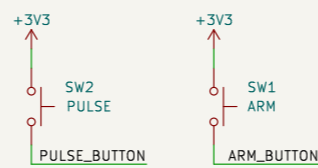
### STATUS LEDs



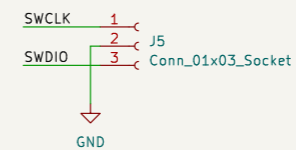
### Buzzer



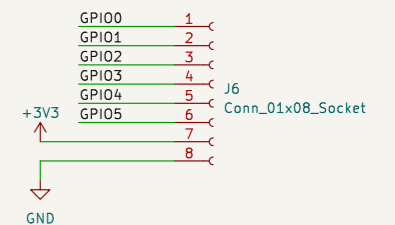
### Buttons



### Debug interface



### GPIO header



Kevin Petterson

Sheet: /RP2040/  
File: mcu.kicad\_sch

Title: MCU

Size: A3 Date: 2023-03-04  
KiCad E.D.A. 9.0.0

Rev: V1  
Id: 3/4

