

Inversor

File: inversor.kicad_sch

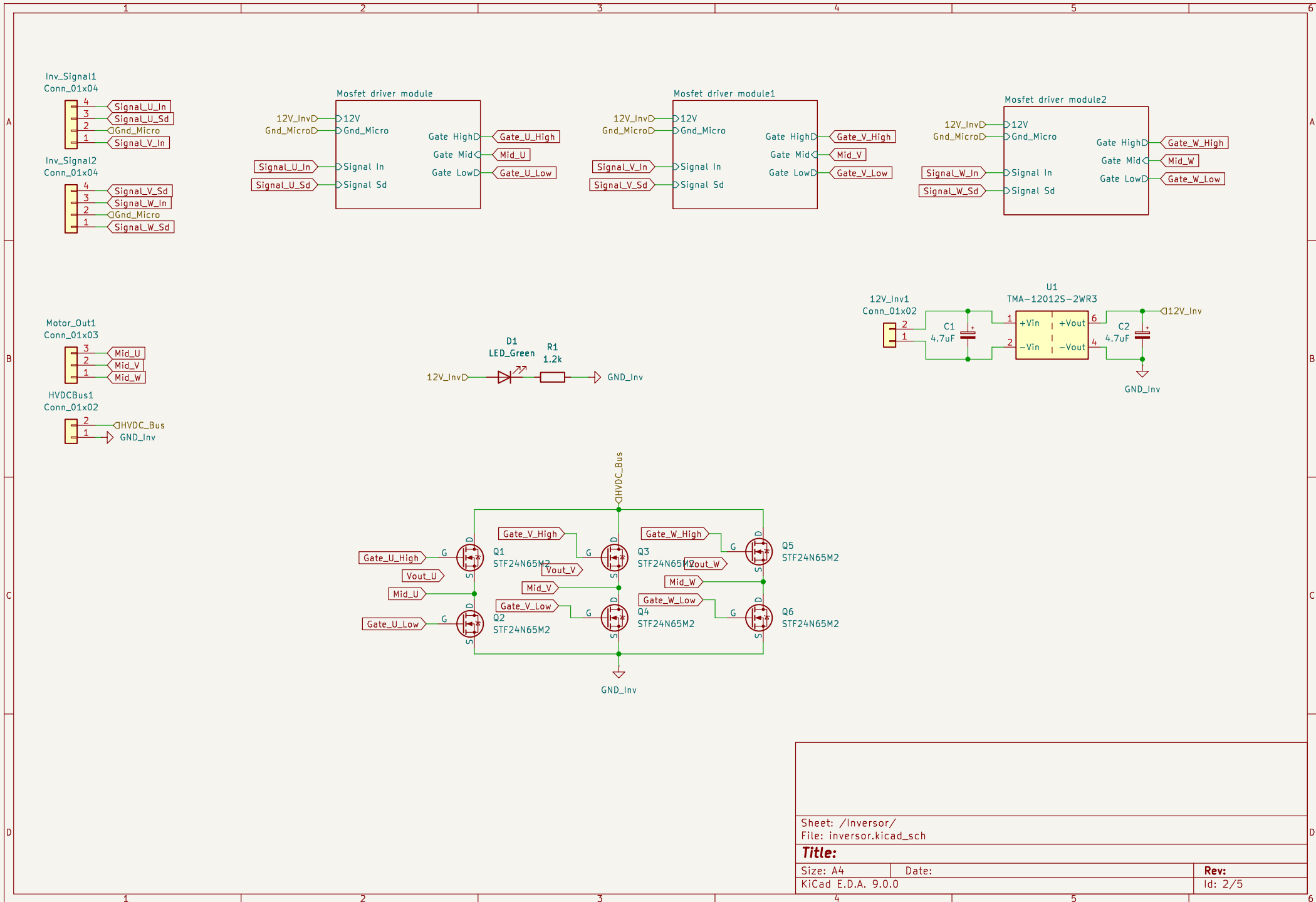
Sheet: /
File: PCB_Inversor.kicad_sch

Title:

Size: A4
KiCad E.D.A. 9.0.0

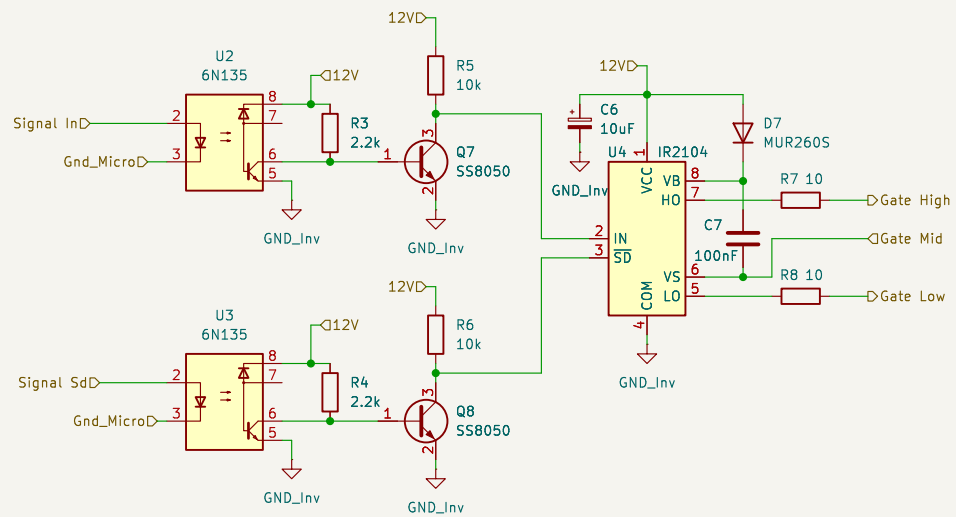
Date:

Rev:
Id: 1/5



Sheet: /Inversor/
 File: inversor.kicad_sch

Title:		Rev:	
Size: A4	Date:		
KiCad E.D.A. 9.0.0		Id: 2/5	



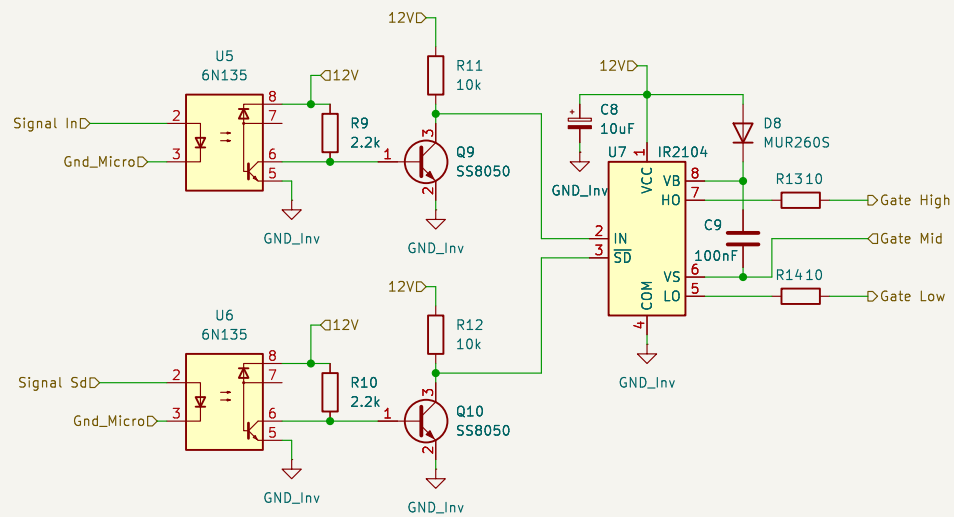
Sheet: /Inversor/Mosfet driver module/
 File: Mosfet driver module.kicad_sch

Title:

Size: A4
 KiCad E.D.A. 9.0.0

Date:

Rev:
 Id: 5/5



Sheet: /Inversor/Mosfet driver module1/
 File: Mosfet driver module.kicad_sch

Title:

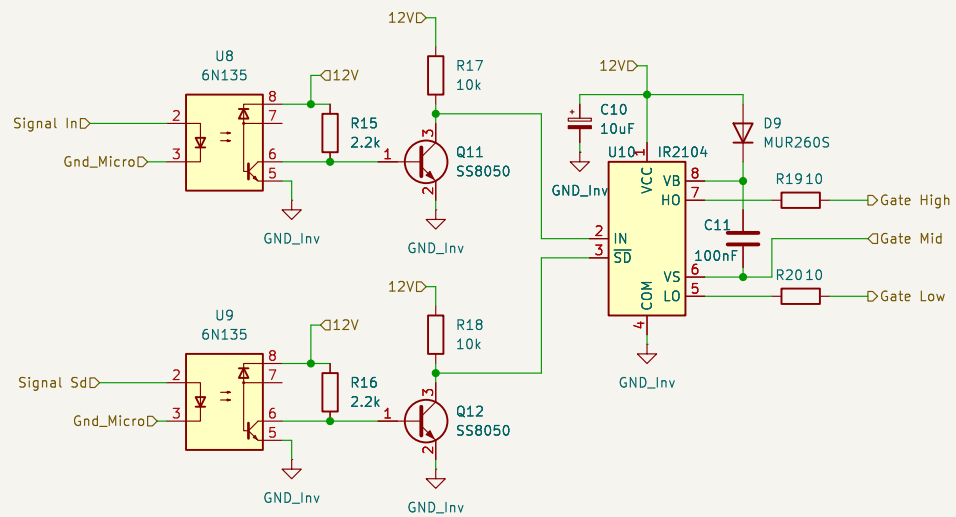
Size: A4

Date:

Rev:

KiCad E.D.A. 9.0.0

Id: 6/5



Sheet: /Inversor/Mosfet driver module2/
 File: Mosfet driver module.kicad_sch

Title:

Size: A4
 KiCad E.D.A. 9.0.0

Date:

Rev:
 Id: 7/5