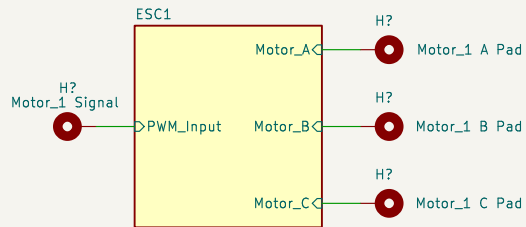
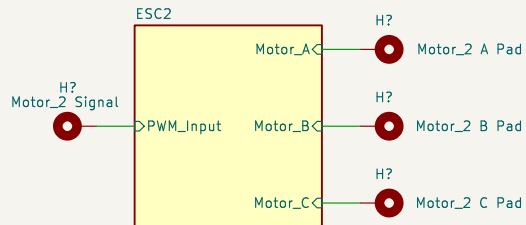


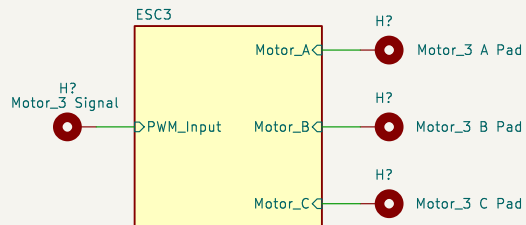
File: voltage_regulators.kicad_sch



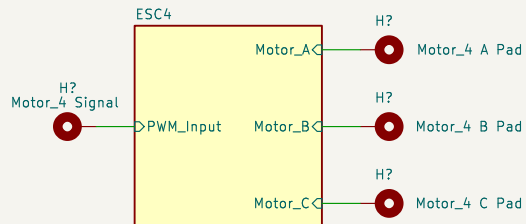
File: esc.kicad_sch



File: esc.kicad_sch



File: esc.kicad_sch



File: esc.kicad_sch

Sheet: /
File: Cube_4ESCBoard.kicad_sch

Title:

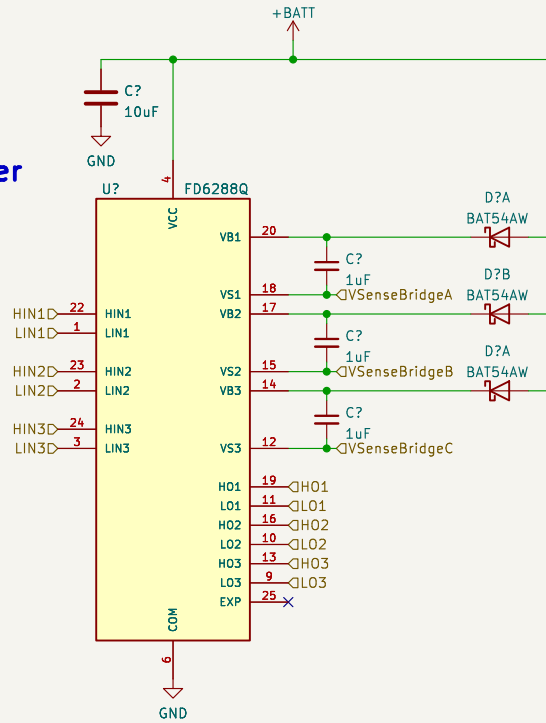
Size: A4 Date:

KiCad E.D.A. 9.0.0

Rev:

Id: 1/18

MOSFET Driver



Sheet: /ESC1/MOSFET Driver - FD6288Q/
File: mosfetdriver_fd6288.kicad_sch

Title:

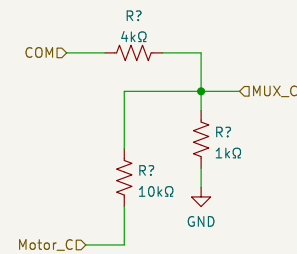
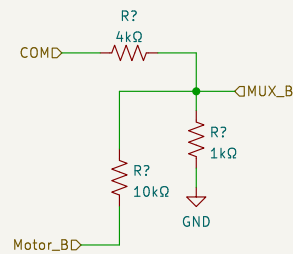
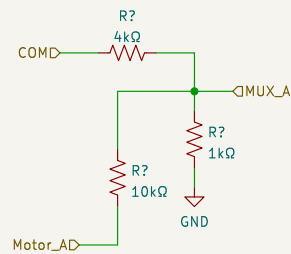
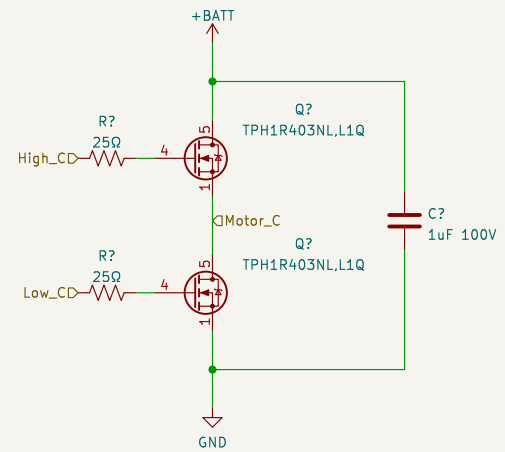
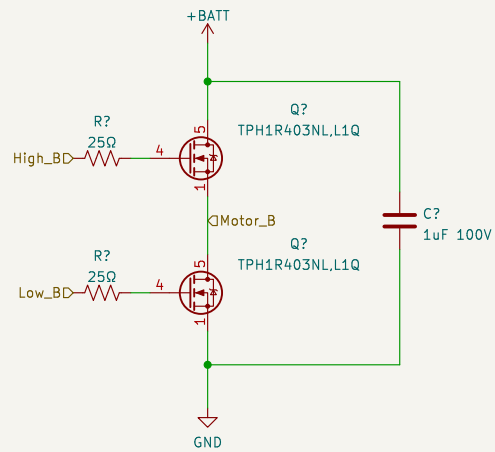
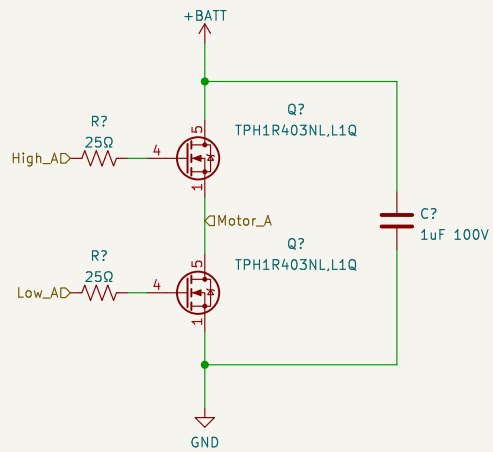
Size: A4

Date:

Rev:

KiCad E.D.A. 9.0.0

Id: 2/18



Voltage Dividers Per Phase 16.8V 4S

Sheet: /ESC1/MOSFETs - TPH1R403NL/
File: mosfets.kicad_sch

Title:

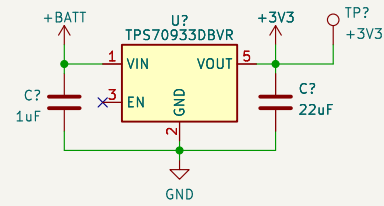
Size: A4 Date:

KiCad E.D.A. 9.0.0

Rev:

Id: 3/18

TPS70933DBVR Max Input Voltage = 45V



Sheet: /Voltage Regulators/
File: voltage_regulators.kicad_sch

Title:

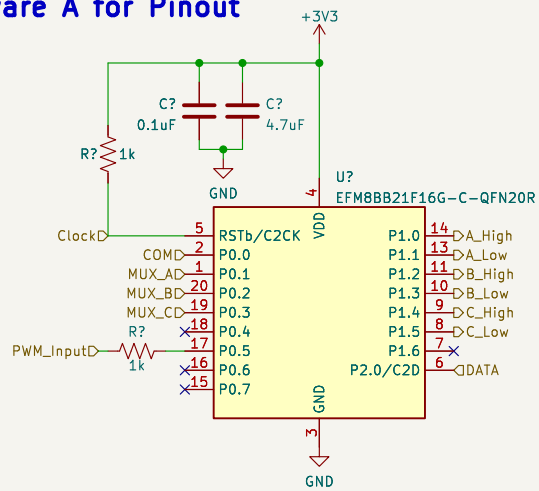
Size: A4 Date:

KiCad E.D.A. 9.0.0

Rev:

Id: 4/18

BB2 Chip behl_s Firmware A for Pinout



Sheet: /ESC1/MCU - EFM8BB21F16G/
File: mcu_efm8bb21.kicad_sch

Title:

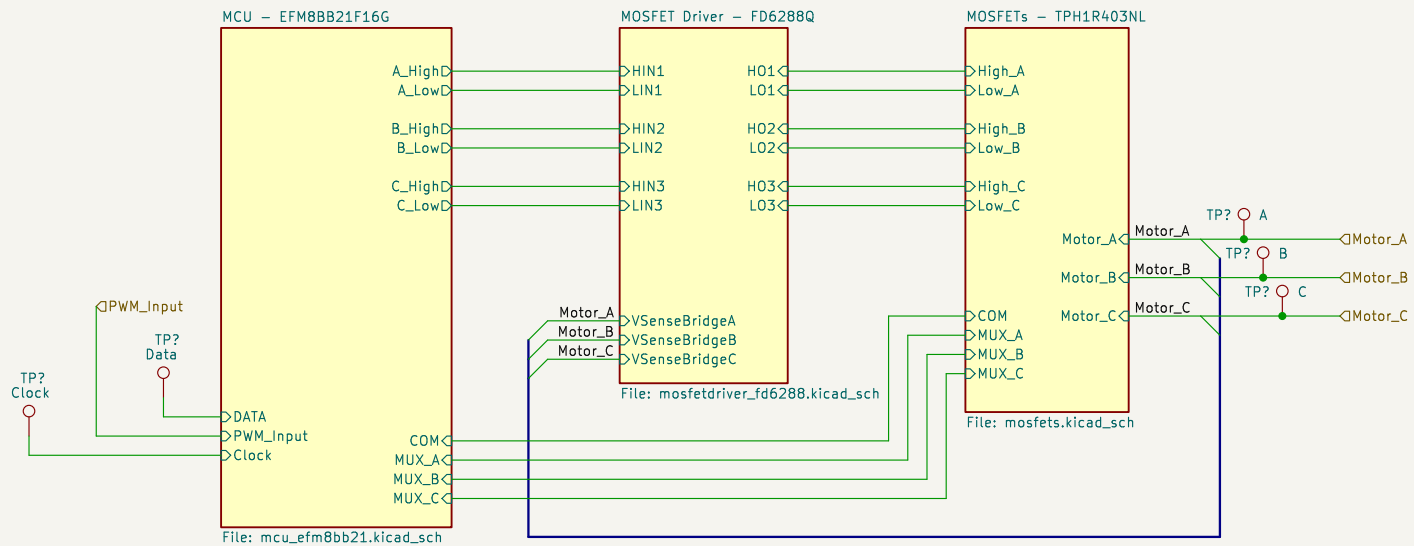
Size: A4

Date:

Rev:

KiCad E.D.A. 9.0.0

Id: 5/18



Sheet: /ESC1/
 File: esc.kicad_sch

Title:

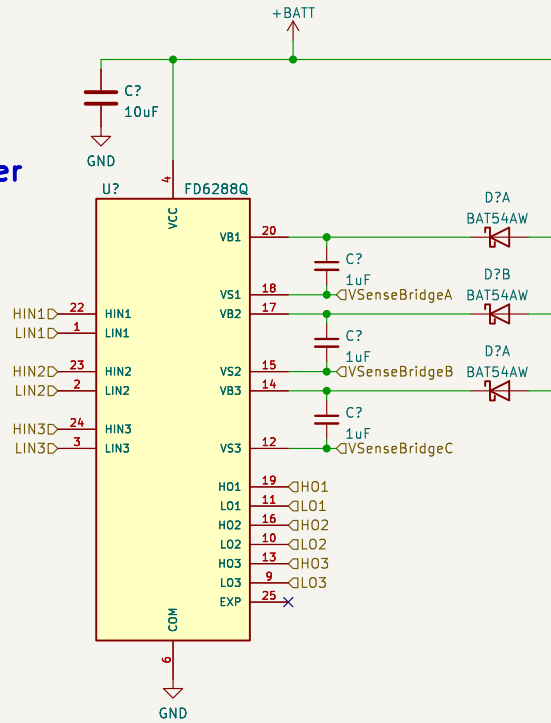
Size: A4
 KiCad E.D.A. 9.0.0

Date:

Rev:

Id: 6/18

MOSFET Driver



Sheet: /ESC2/MOSFET Driver - FD6288Q/
 File: mosfetdriver_fd6288.kicad_sch

Title:

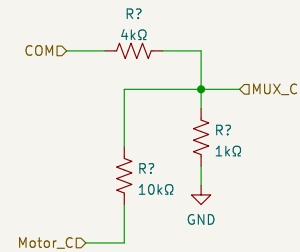
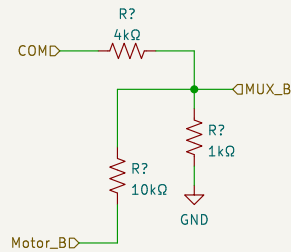
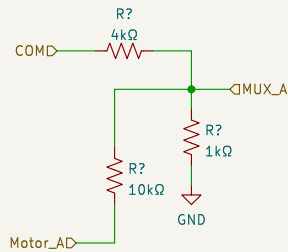
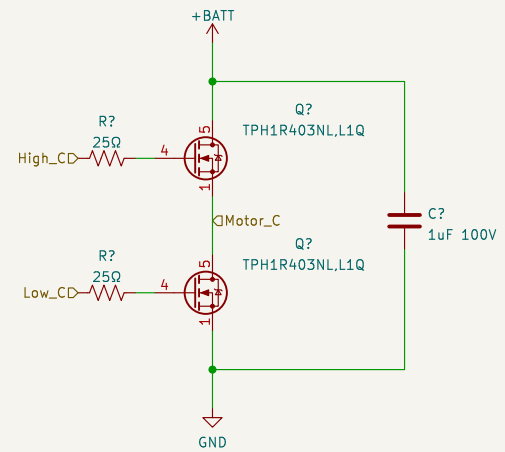
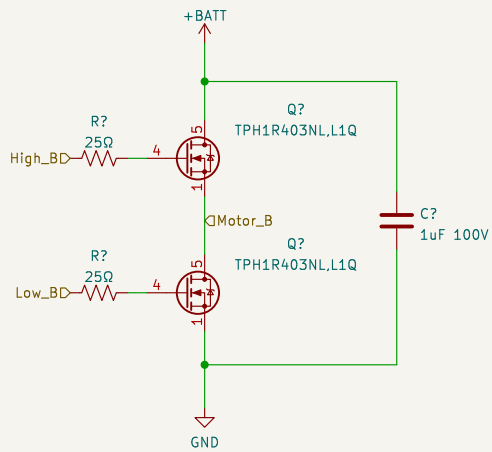
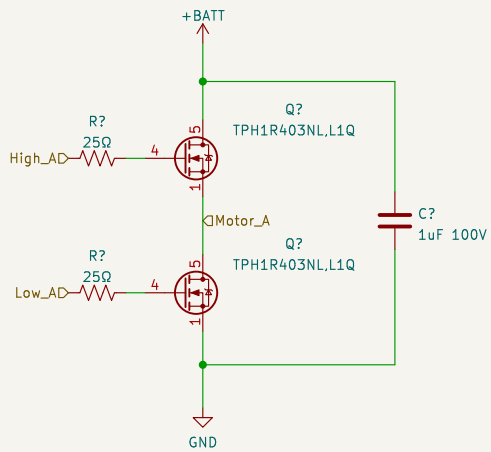
Size: A4

Date:

Rev:

KiCad E.D.A. 9.0.0

Id: 7/18



Voltage Dividers Per Phase 16.8V 4S

Sheet: /ESC2/MOSFETs - TPH1R403NL/
File: mosfets.kicad_sch

Title:

Size: A4

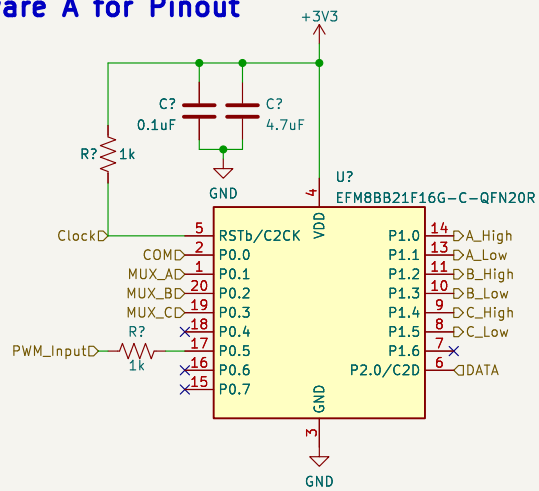
Date:

Rev:

KiCad E.D.A. 9.0.0

Id: 8/18

BB2 Chip behl_s Firmware A for Pinout



Sheet: /ESC2/MCU - EFM8BB21F16G/
File: mcu_efm8bb21.kicad_sch

Title:

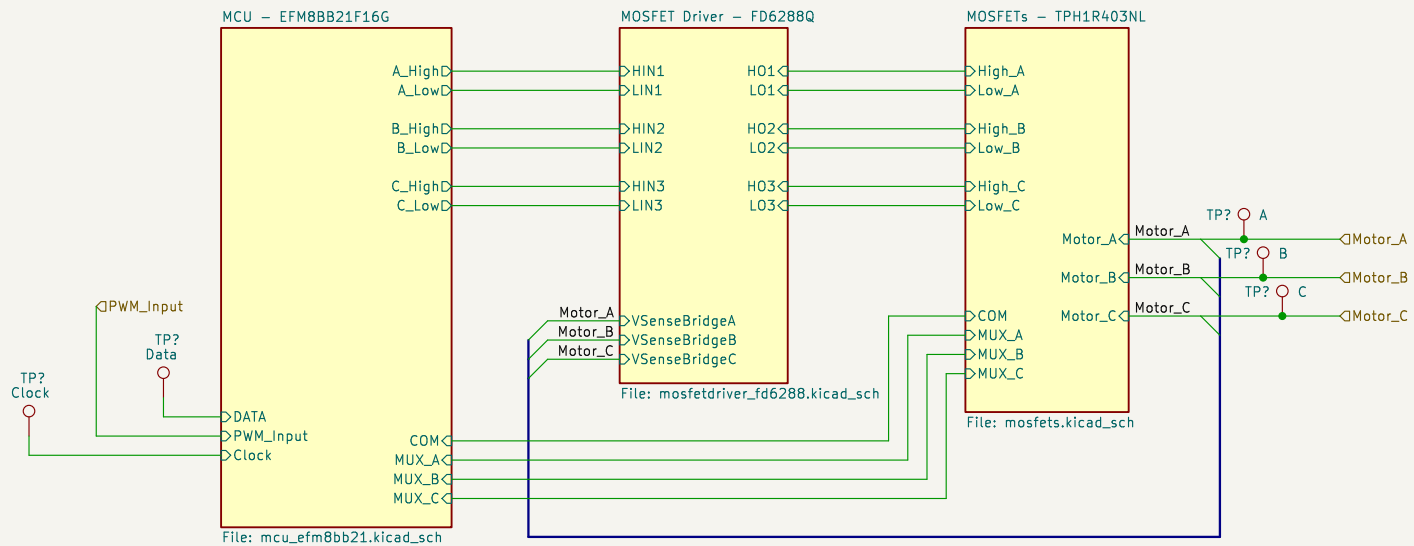
Size: A4

Date:

Rev:

KiCad E.D.A. 9.0.0

Id: 9/18



Sheet: /ESC2/
 File: esc.kicad_sch

Title:

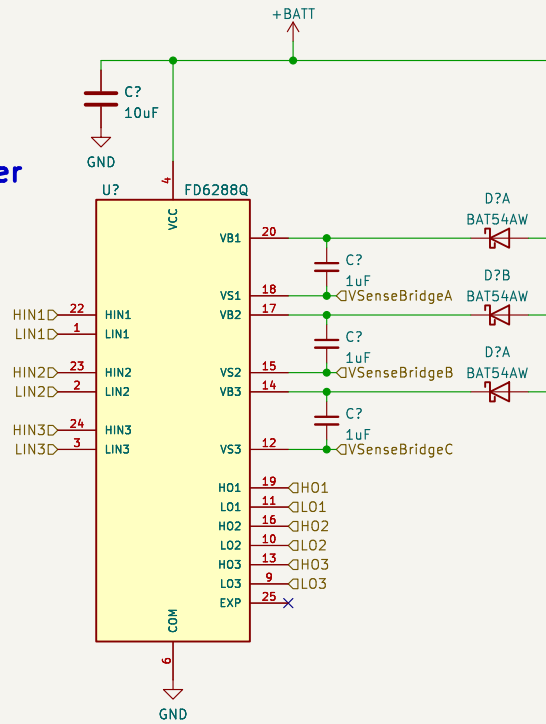
Size: A4
 KiCad E.D.A. 9.0.0

Date:

Rev:

Id: 10/18

MOSFET Driver



Sheet: /ESC3/MOSFET Driver - FD6288Q/
 File: mosfetdriver_fd6288.kicad_sch

Title:

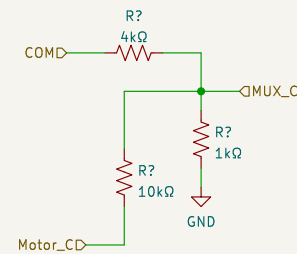
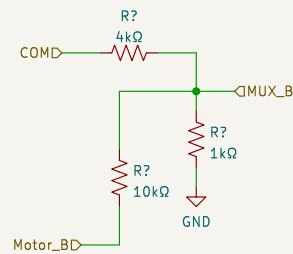
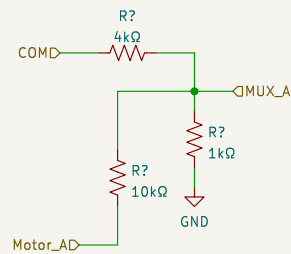
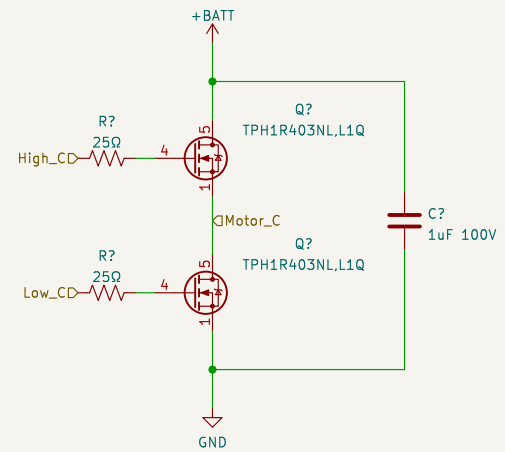
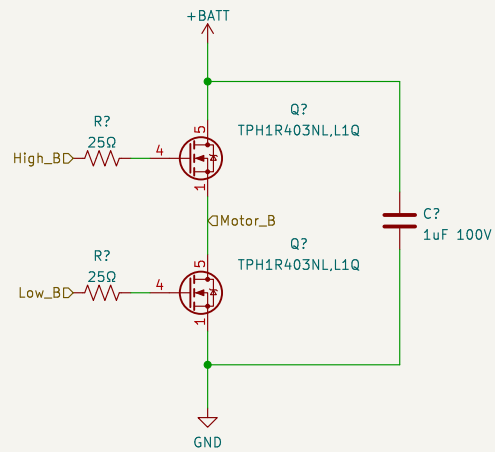
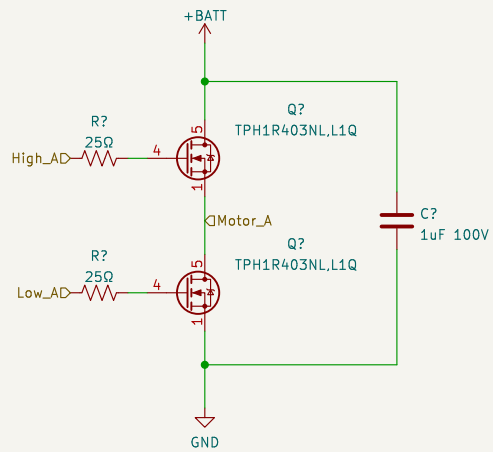
Size: A4

Date:

Rev:

KiCad E.D.A. 9.0.0

Id: 11/18



Voltage Dividers Per Phase 16.8V 4S

Sheet: /ESC3/MOSFETs - TPH1R403NL/
File: mosfets.kicad_sch

Title:

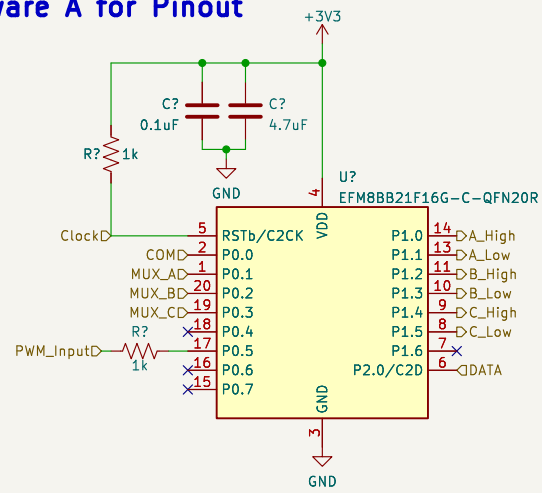
Size: A4
KiCad E.D.A. 9.0.0

Date:

Rev:

Id: 12/18

BB2 Chip behl_s Firmware A for Pinout



Sheet: /ESC3/MCU - EFM8BB21F16G/
File: mcu_efm8bb21.kicad_sch

Title:

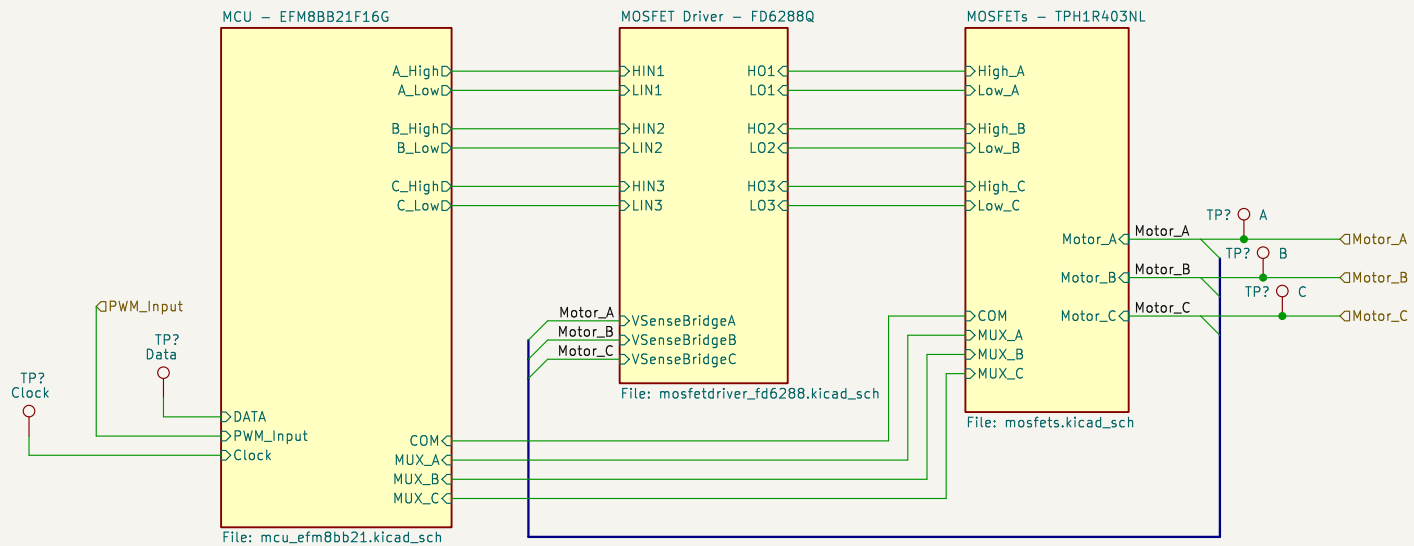
Size: A4

Date:

Rev:

KiCad E.D.A. 9.0.0

Id: 13/18



Sheet: /ESC3/
 File: esc.kicad_sch

Title:

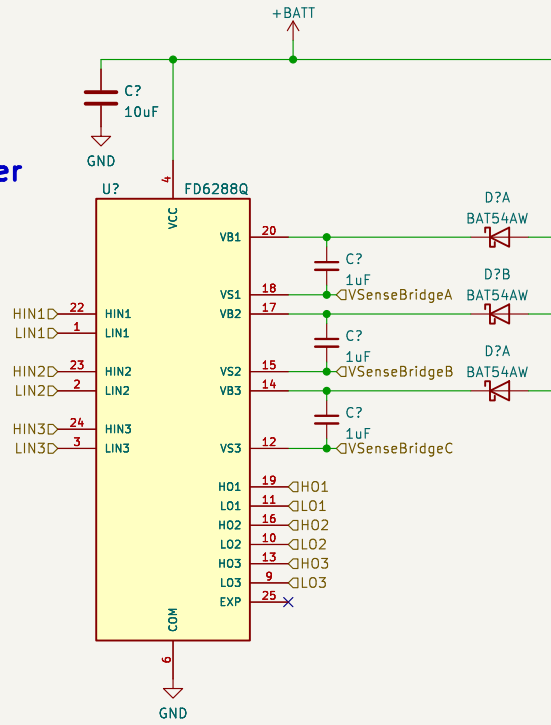
Size: A4
 KiCad E.D.A. 9.0.0

Date:

Rev:

Id: 14/18

MOSFET Driver



Sheet: /ESC4/MOSFET Driver - FD6288Q/
File: mosfetdriver_fd6288.kicad_sch

Title:

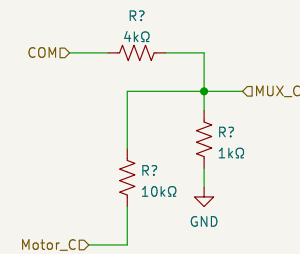
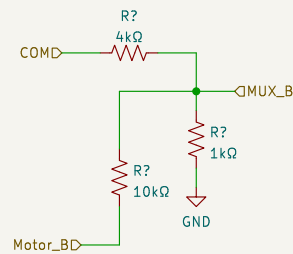
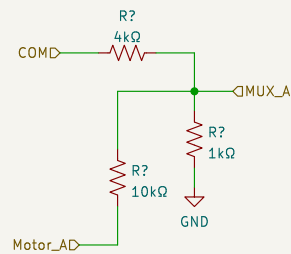
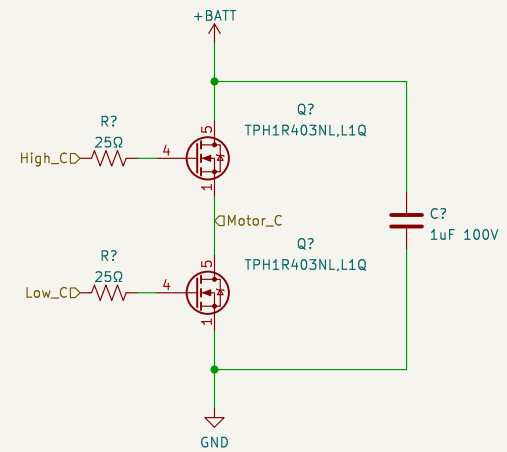
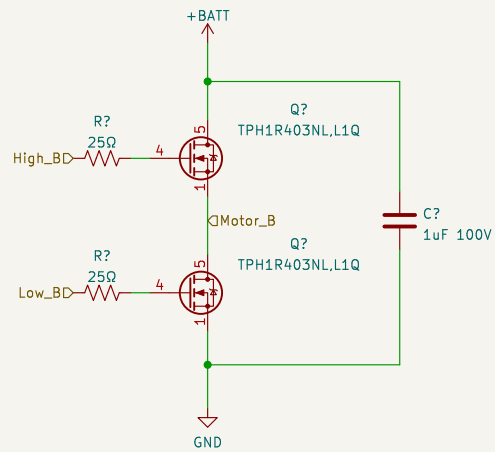
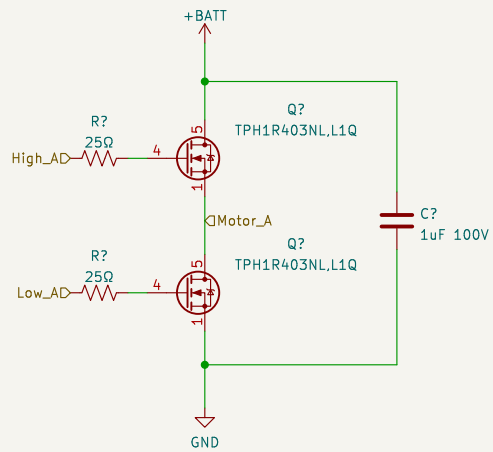
Size: A4

Date:

Rev:

KiCad E.D.A. 9.0.0

Id: 15/18



Voltage Dividers Per Phase 16.8V 4S

Sheet: /ESC4/MOSFETs - TPH1R403NL/
File: mosfets.kicad_sch

Title:

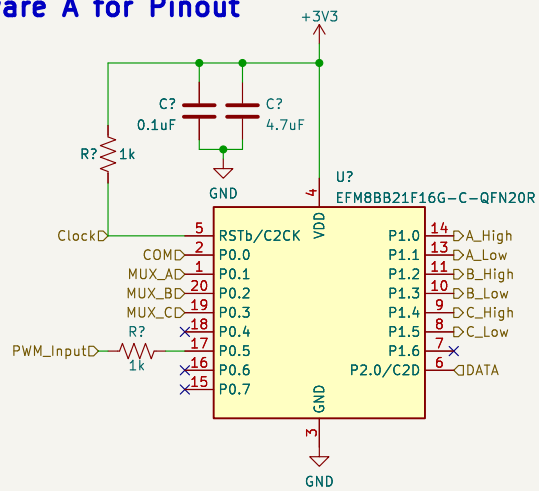
Size: A4
KiCad E.D.A. 9.0.0

Date:

Rev:

Id: 16/18

BB2 Chip behl_s Firmware A for Pinout



Sheet: /ESC4/MCU - EFM8BB21F16G/
File: mcu_efm8bb21.kicad_sch

Title:

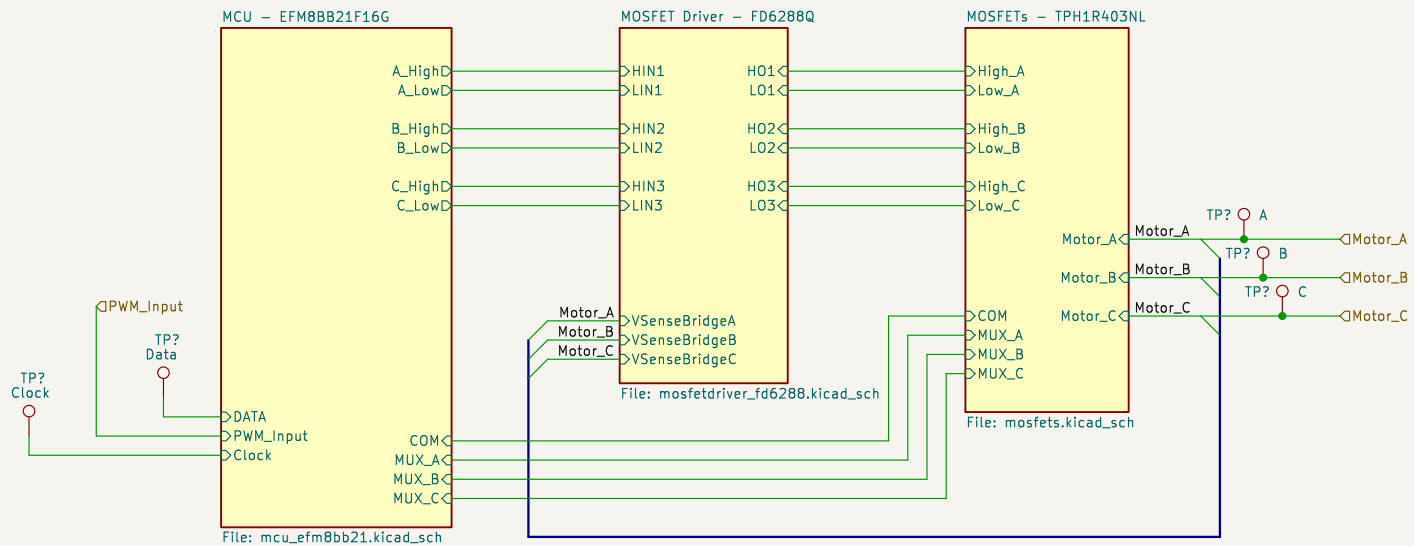
Size: A4

Date:

Rev:

KiCad E.D.A. 9.0.0

Id: 17/18



Sheet: /ESC4/
 File: esc.kicad_sch

Title:

Size: A4
 KiCad E.D.A. 9.0.0

Date:

Rev:

Id: 18/18