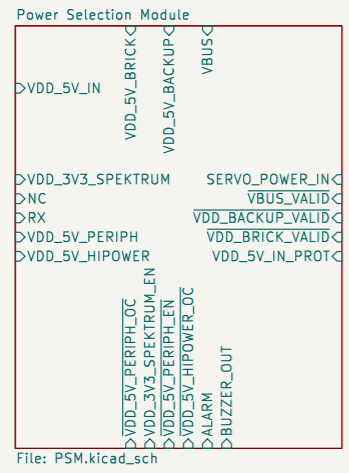
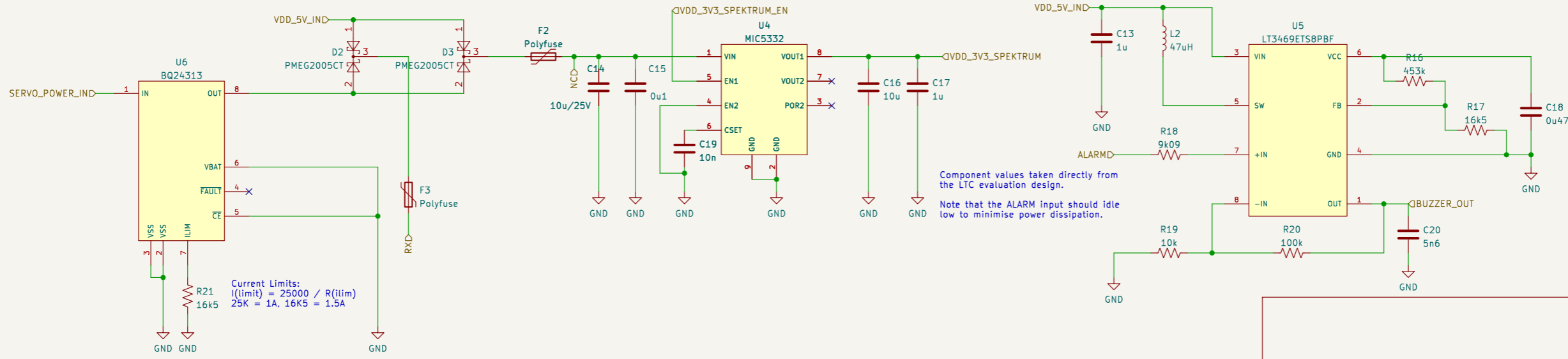
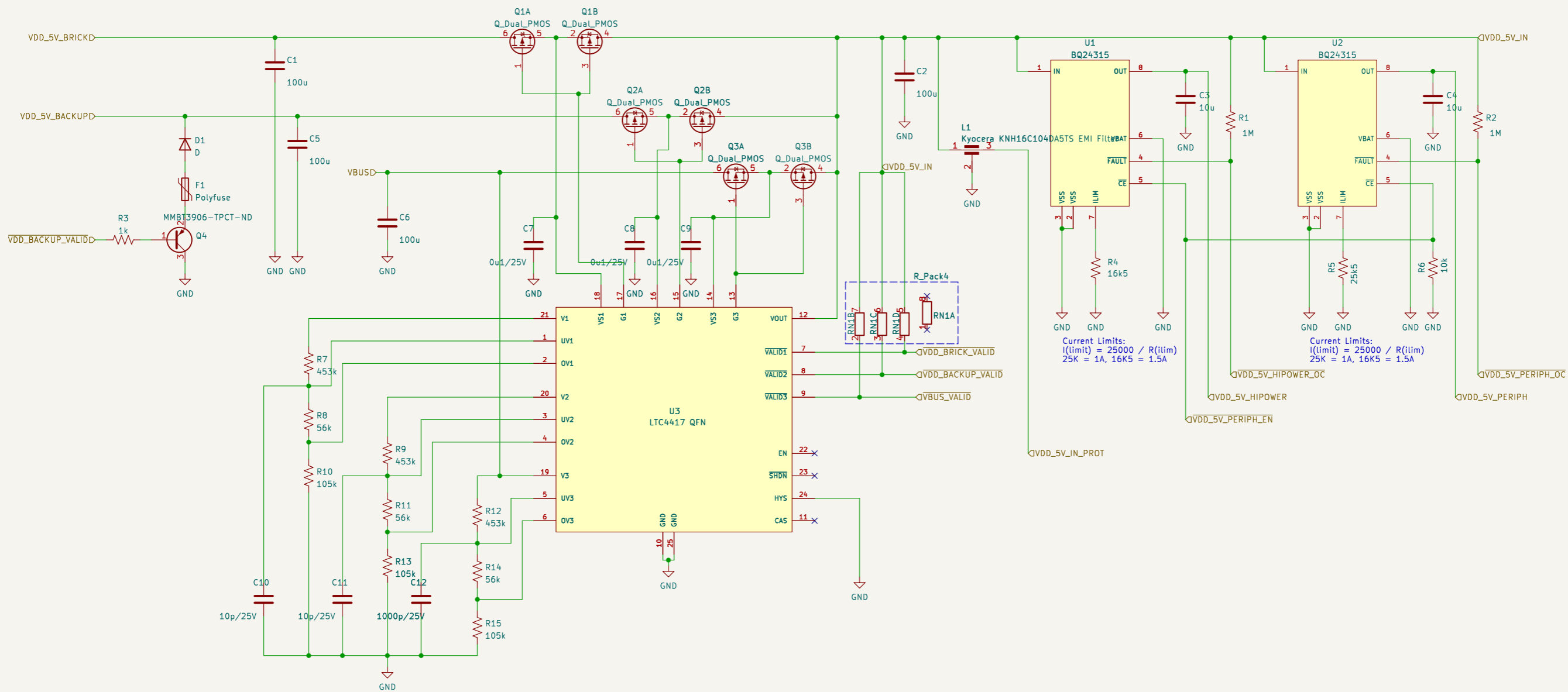


Pin	Signal	Pin	Signal
24	ALARM	8	PROT_SPARE_1
17	SAFETY	10	PROT_SPARE_2
5	EXTERN_CS	35	I2C_1_SDA
11	EXTERN_DRDY	37	I2C_1_SCL
62	PPM_SBUS_PROT	4	I2C_2_SDA
64	S.BUS_OUT	6	I2C_2_SCL
47	BATT_VOLTAGE_SENS_PROT	79	CAN_H_1
49	BATT_CURRENT_SENS_PROT	77	CAN_L_1
25	AUX_BATT_CURRENT_SENS	41	CAN_H_2
23	AUX_BATT_VOLTAGE_SENS	39	CAN_L_2
21	PRESSURE_SENS_IN	51	SPL_EXT_MOSI
28	IQ_LED_SAFET_PROT	67	SPL_EXT_MISO
65	IQ_VDD_5V5	73	SPL_EXT_SCK
26	IQ_VDD_3V3	42	SERIAL_1_RTS
69	IQ_SWDIO	38	SERIAL_1_RX
71	IQ_SWCLK	40	SERIAL_1_TX
75	IQ_RESET	44	SERIAL_1_CTS
80	IO_CH1_PROT	30	SERIAL_2_RTS
78	IO_CH2_PROT	34	SERIAL_2_RX
76	IO_CH3_PROT	36	SERIAL_2_TX
74	IO_CH4_PROT	32	SERIAL_2_CTS
72	IO_CH5_PROT	20	SERIAL_3_RX
70	IO_CH6_PROT	22	SERIAL_3_TX
68	IO_CH7_PROT	16	SERIAL_4_RX
66	IO_CH8_PROT	18	SERIAL_4_TX
50	FMU_CH1_PROT	31	OTG_DP1
52	FMU_CH2_PROT	33	OTG_DM1
54	FMU_CH3_PROT	46	IO_USART_1_TX
56	FMU_CH4_PROT	48	IO_USART1_RX_SPEKTRUM_DSM
58	FMU_CH5_PROT		
60	FMU_CH6_PROT		





Component values taken directly from the LTC evaluation design.
 Note that the ALARM input should idle low to minimise power dissipation.