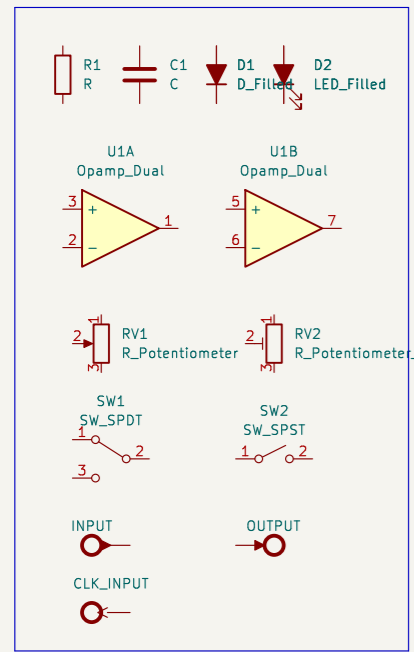
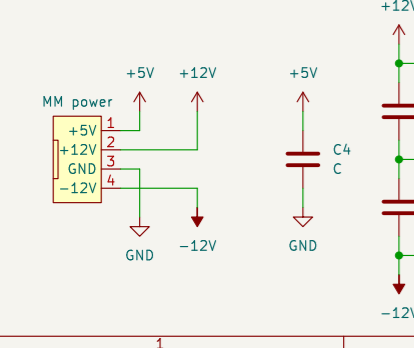


commonly used components



MM power input and decoupling



(optional)  
JLCPCB production number


+ REF1  
JLCPCB\_production\_number

(optional)  
JLC PCBA tooling holes

+ REF2  
JLC\_PCBA\_tooling\_holes

MM logo and copyright

+ REF3 logo + REF4 copyright



Mosaic modular synthesizers – [www.mosaicsynth.com](http://www.mosaicsynth.com)

Sheet: /  
File: MM 50x50 V2.kicad\_sch

**Title: mosaic modular format template**

Size: A3	Date: 2024-02-17	Rev: 2
KiCad E.D.A. 9.0.0		Id: 1/1