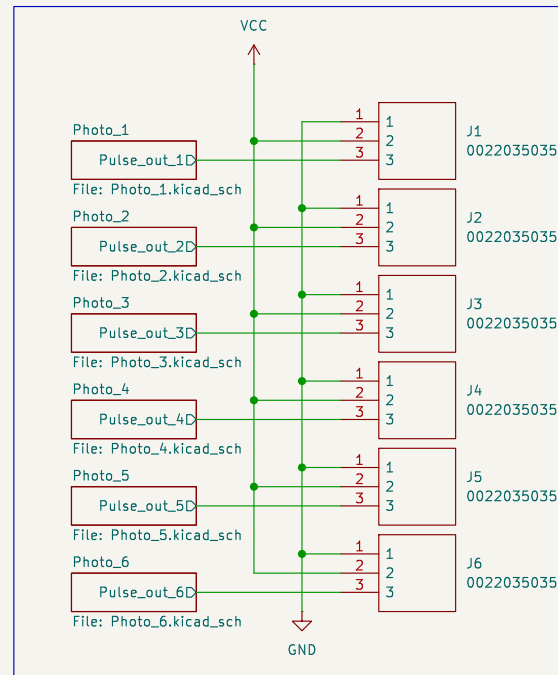
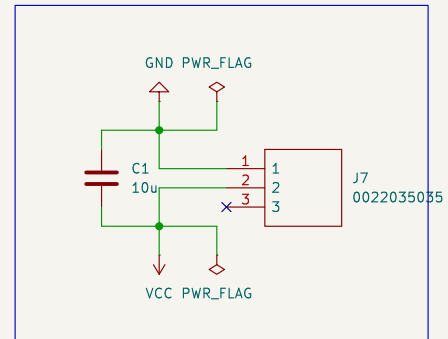


Photosensors



Power



Nervous Systems

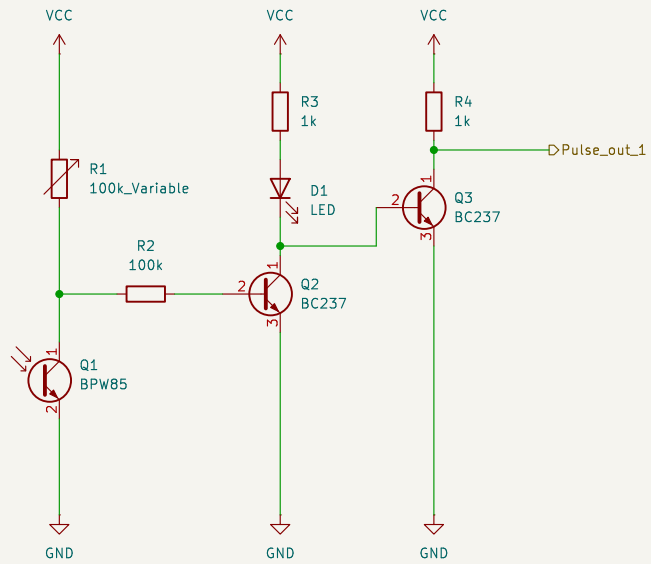
Sheet: /
File: Nervous_sys.kicad_sch

Title: SiliScallop

Size: A4
KiCad E.D.A. 9.0.0

Date:

Rev:
Id: 1/7



Sheet: /Photo_1/
File: Photo_1.kicad_sch

Title:

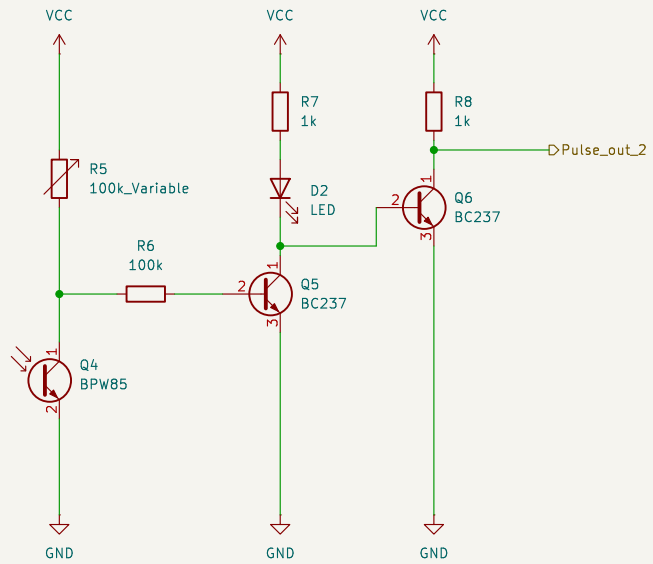
Size: A4

Date:

Rev:

KiCad E.D.A. 9.0.0

Id: 2/7



Sheet: /Photo_2/
File: Photo_2.kicad_sch

Title:

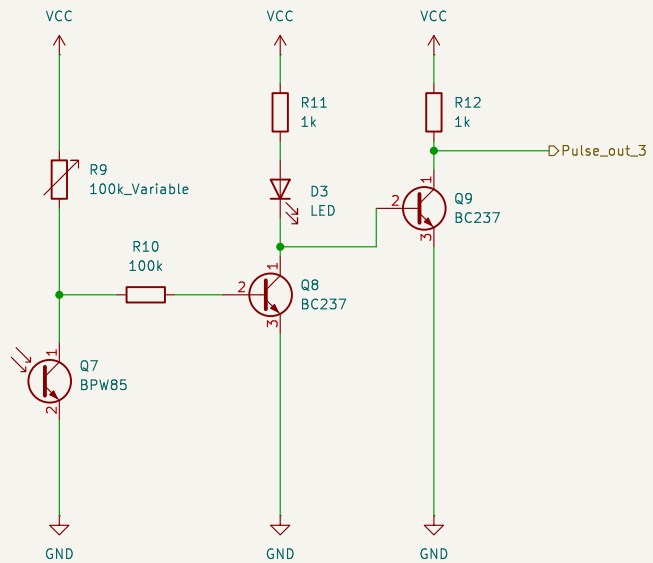
Size: A4

Date:

Rev:

KiCad E.D.A. 9.0.0

Id: 3/7



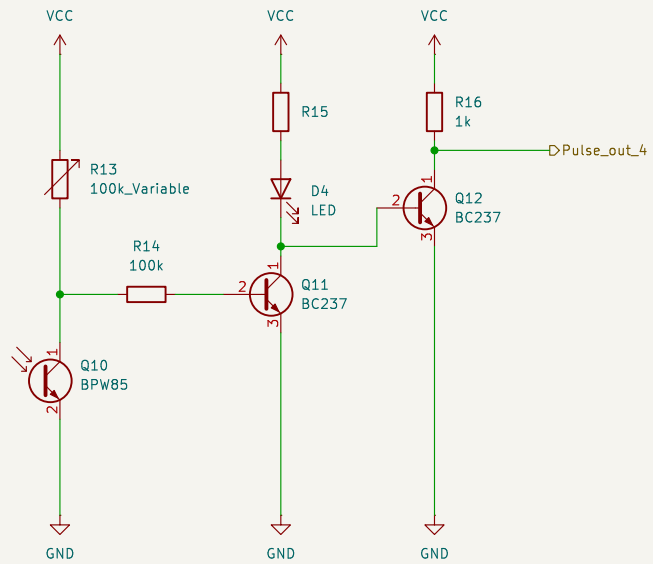
Sheet: /Photo_3/
 File: Photo_3.kicad_sch

Title:

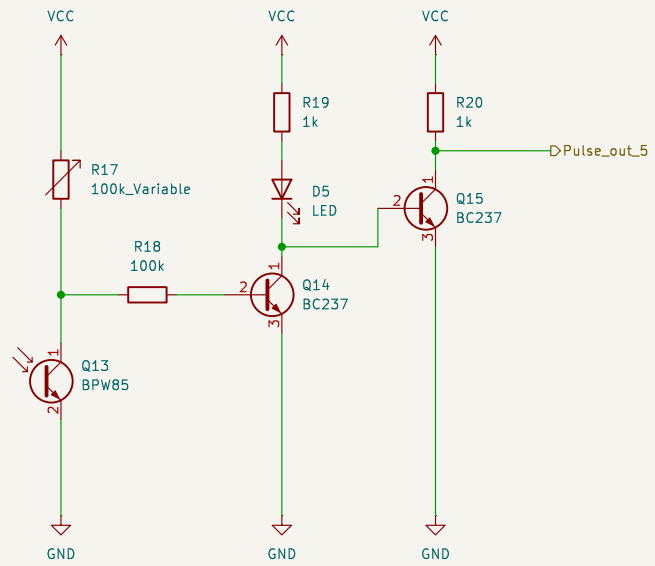
Size: A4
 KiCad E.D.A. 9.0.0

Date:

Rev:
 Id: 4/7



Sheet: /Photo_4/	
File: Photo_4.kicad_sch	
Title:	
Size: A4	Date:
KiCad E.D.A. 9.0.0	Rev: Id: 5/7



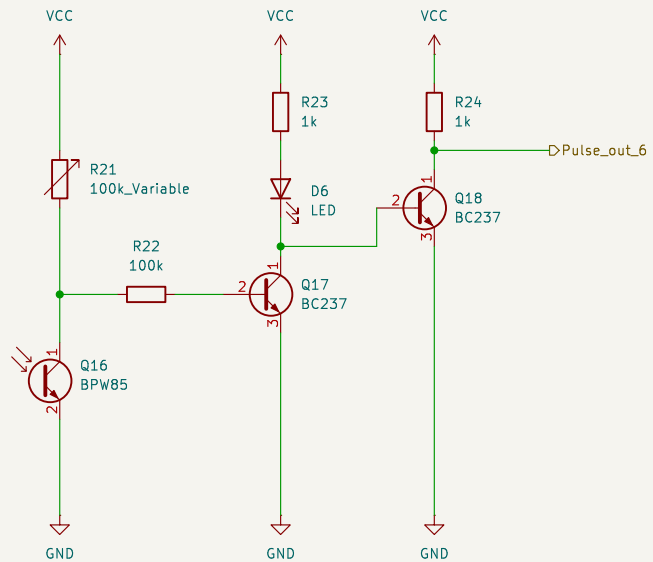
Sheet: /Photo_5/
 File: Photo_5.kicad_sch

Title:

Size: A4
 KiCad E.D.A. 9.0.0

Date:

Rev:
 Id: 6/7



Sheet: /Photo_6/
File: Photo_6.kicad_sch

Title:

Size: A4

Date:

Rev:

KiCad E.D.A. 9.0.0

Id: 7/7