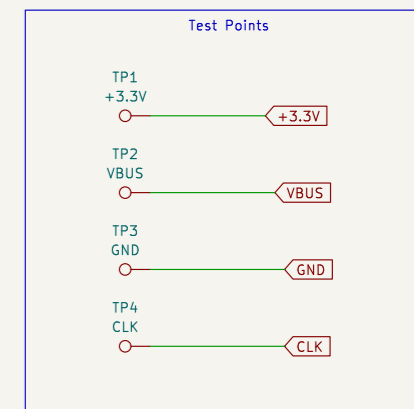
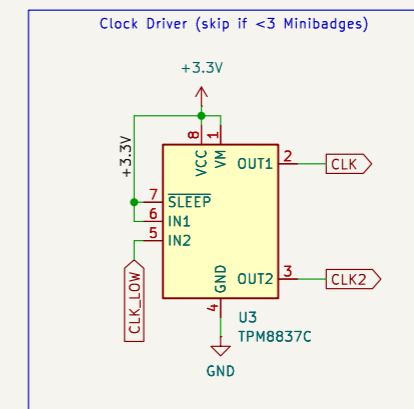
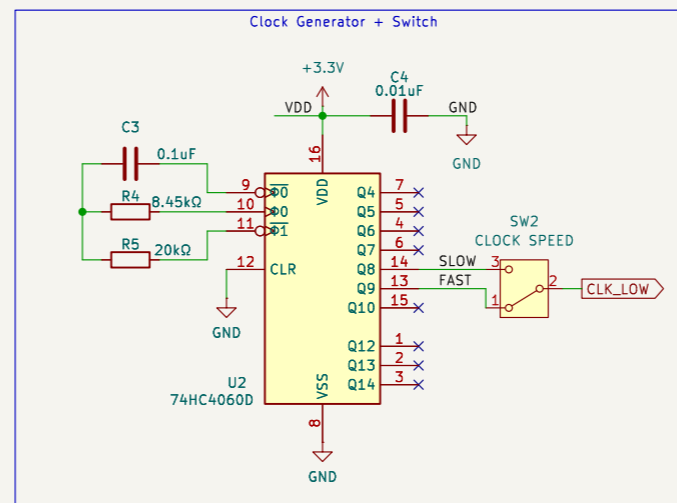
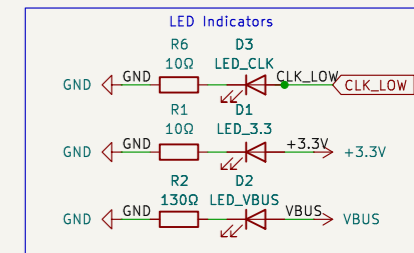
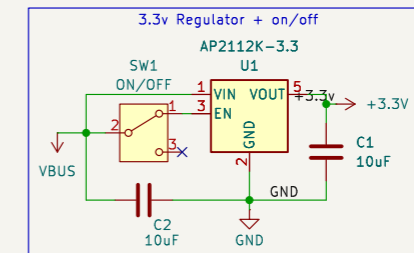
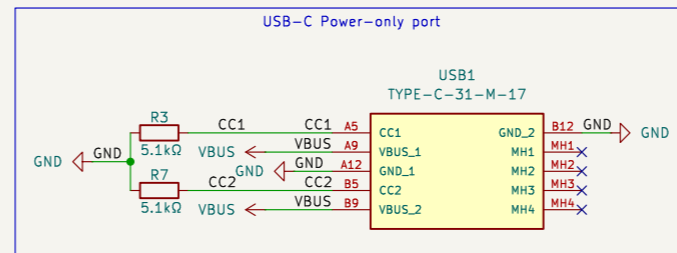
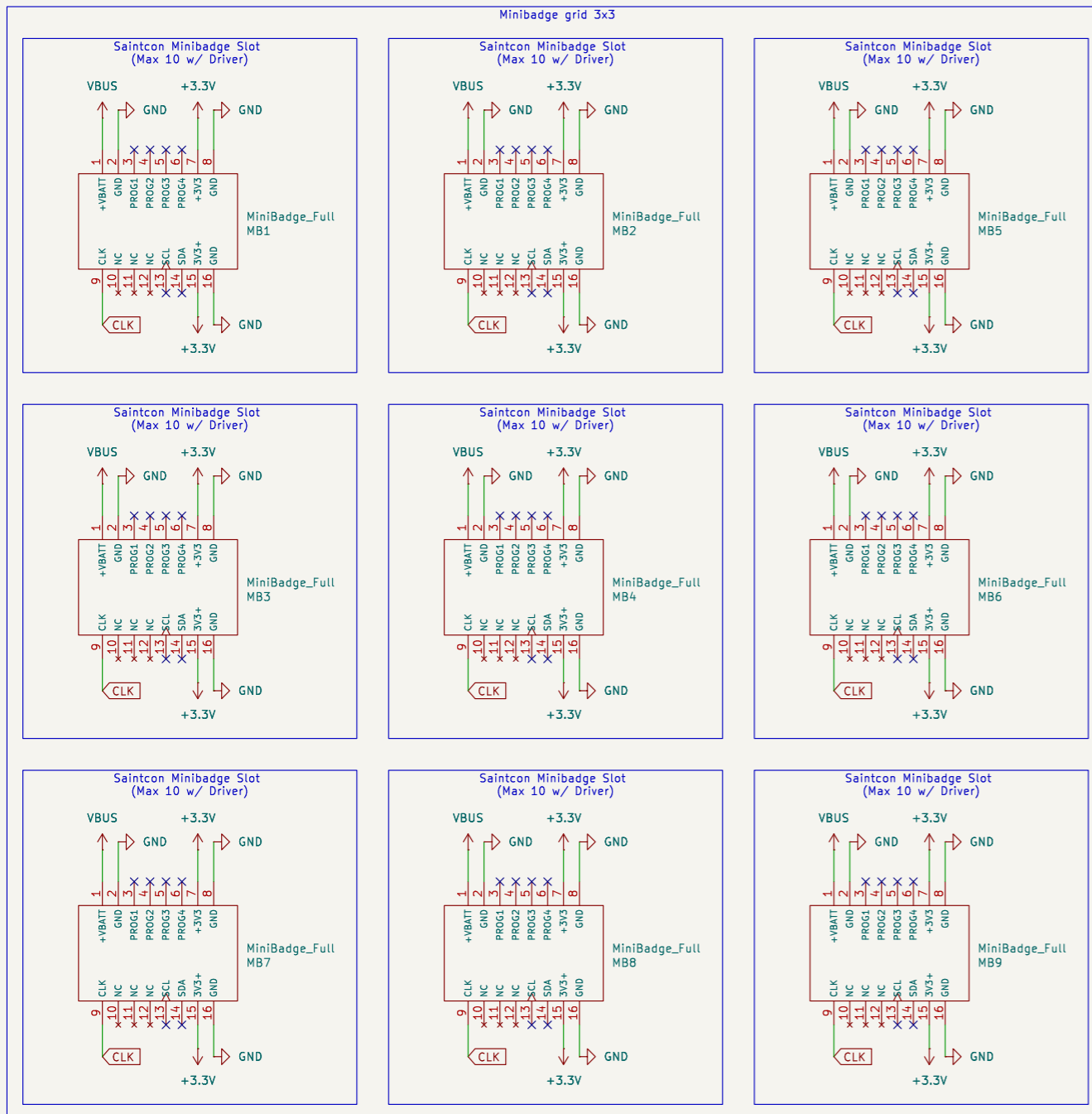


USB-C Minibadge Holder Diagram



<https://pips.engineering>

Pips Engineering

Sheet: /
File: Minibadge Holder 3x3.kicad_sch

Title: USB-C Minibadge Holder

Size: A3 Date: 2024-11-04

KiCad E.D.A. 9.0.0

Rev: r6

Id: 1/1

