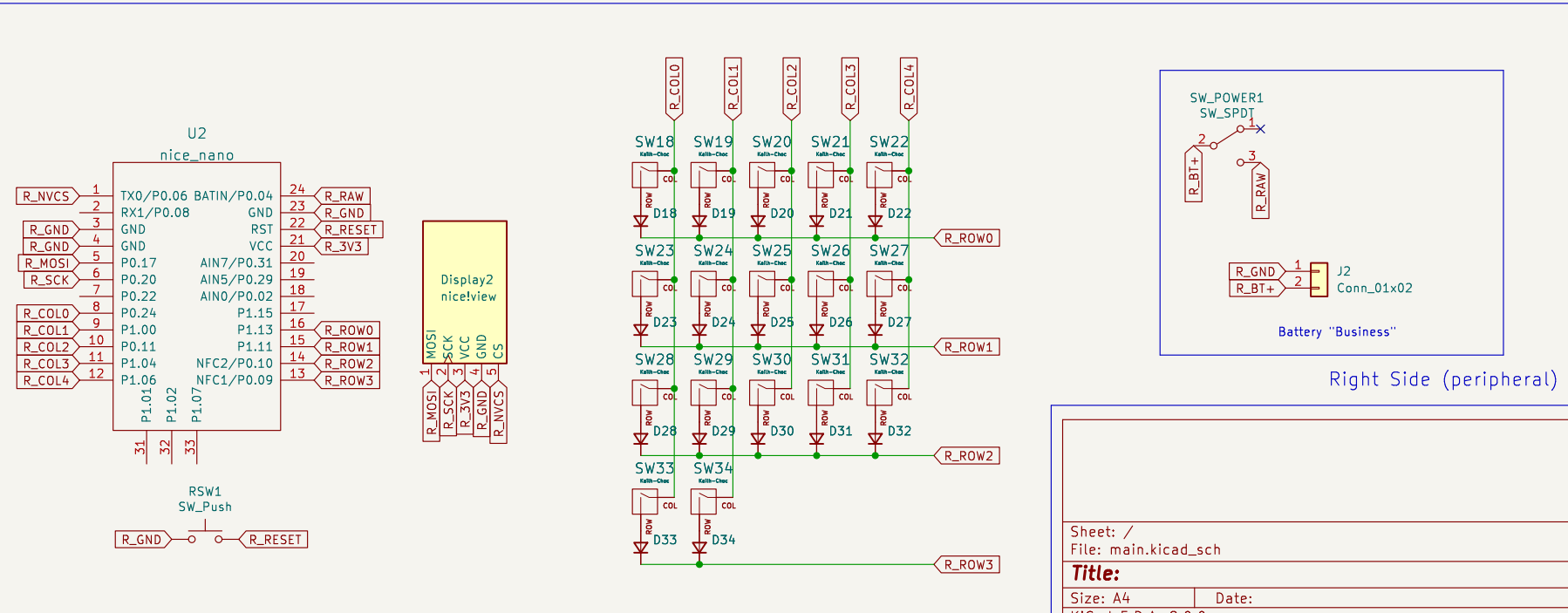


Left Side (main)



Right Side (peripheral)

Sheet: /		Date:	
File: main.kicad_sch		Rev:	
Size: A4	KiCad E.D.A. 9.0.0		Id: 1/1