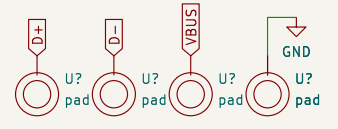
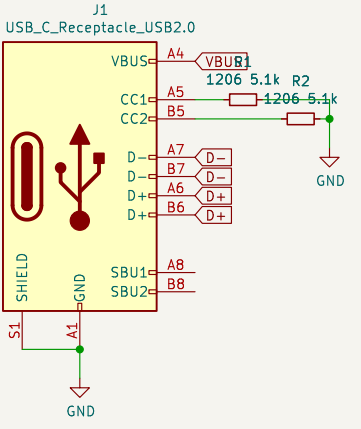


U?
ProMicro

1	TX0/D3	RAW	24
2	RX1/D2	GND	23
3	GND	RST	22
4	GND	VCC	21
5	2/D1/SDA	F4/A3	20
6	3/D0/SCL	F5/A2	19
7	4/D4	F6/A1	18
8	5/C6	F7/A0	17
9	6/D7	B1/15	16
10	7/E6	B3/14	15
11	8/B4	B2/16	14
12	9/B5	B6/10	13
col1			row5
col4			row1
col5			row10
col6			row9
col7			row8
row2			row7
row3			row6
row4			



Sheet: /	
File: WTL62.kicad_sch	
Title:	
Size: A4	Date:
KiCad E.D.A. 9.0.0	Rev: 1/1