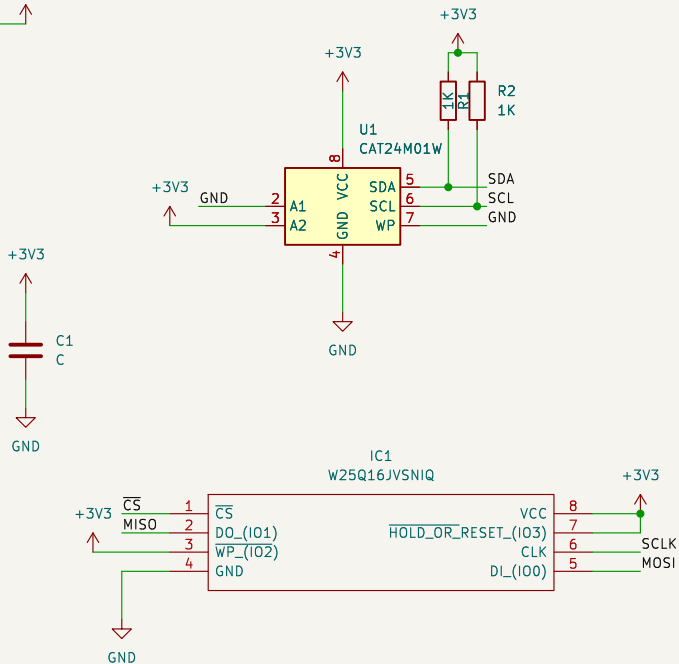
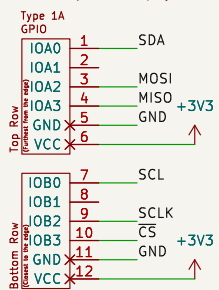


<https://docs.google.com/a/mithis.com/spreadsheets/d/1D-GboyrP57VvpejQzEmOP1WEORo1LAI92hk1bZGEoo/edit#gid=0>

PMOD1



Sheet: /  
File: PMOD\_MEM.kicad\_sch

**Title:**

Size: A4  
KiCad E.D.A. 9.0.0

Date:

Rev:

Id: 1/1