

1 2 3 4 5 6

A

B

C

D

1 2 3 4 5 6

A

B

C

D

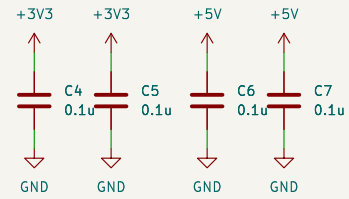
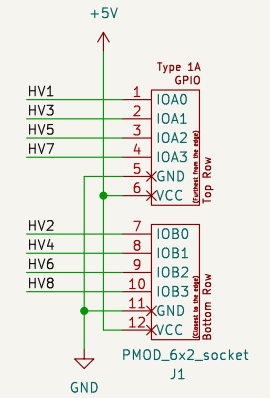
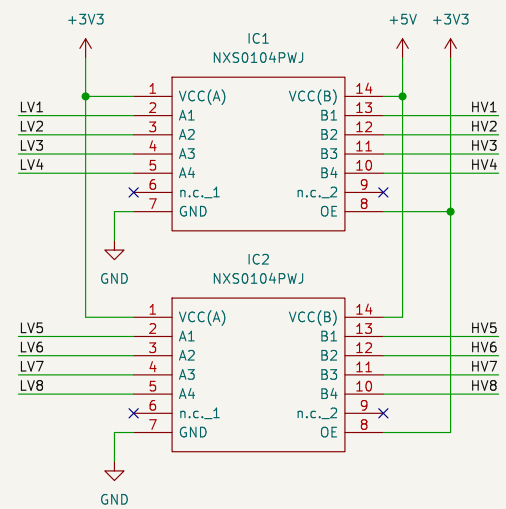
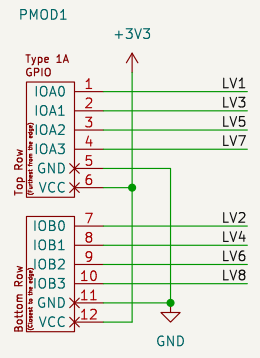
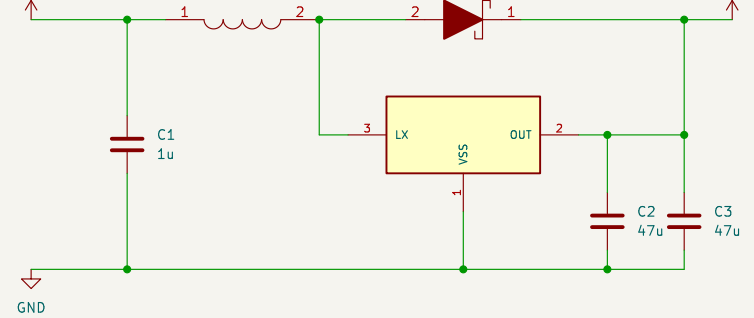
A

B

C

D

1 2 3 4 5 6



Sheet: /	
File: pmod_level_shifter_8p.kicad_sch	
Title:	
Size: A4	Date:
KiCad E.D.A. 9.0.0	Rev: 1/1