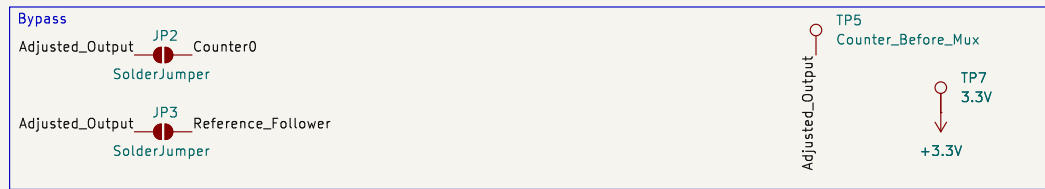
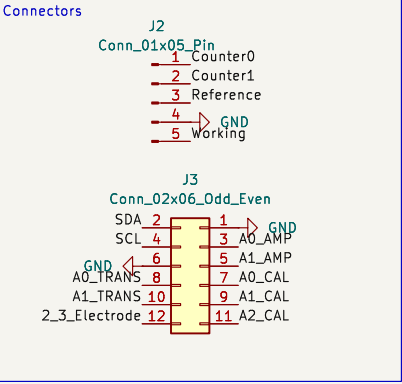
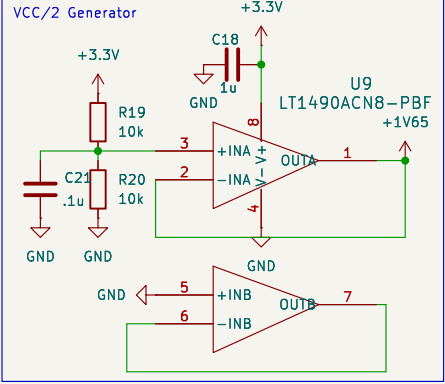
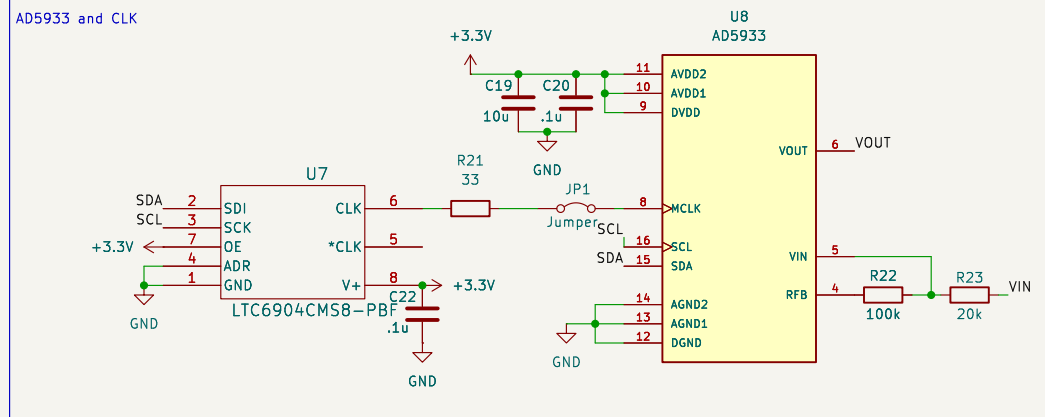
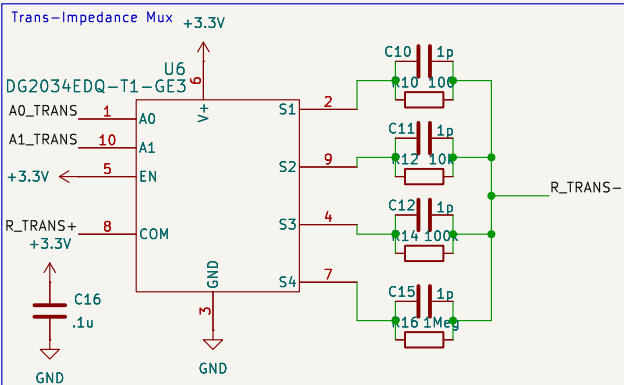
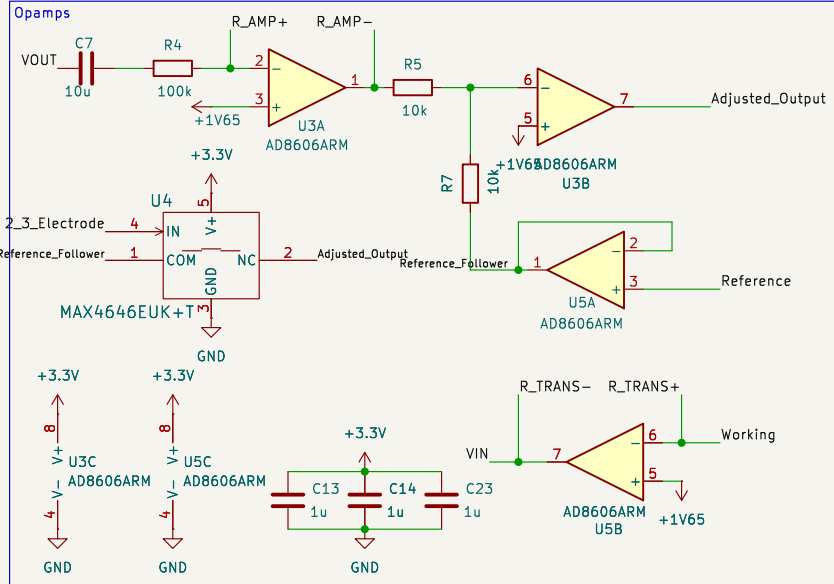
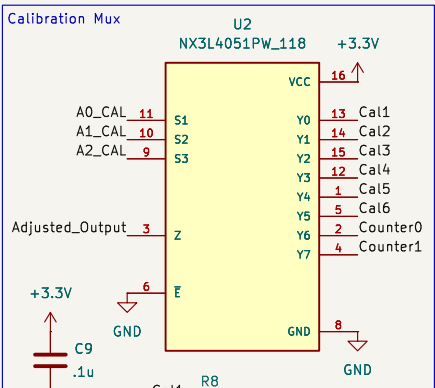
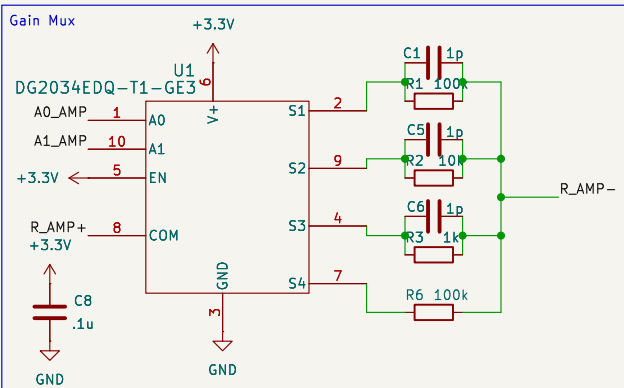


- H1 MountingHole
- H2 MountingHole
- H3 MountingHole
- H4 MountingHole



I2C and GPIO Inputs
Steven Vokoun
 Sheet: /
 File: EIS Board.kicad_sch
Title: Analog Measurement Board For AD5933 Based EIS
 Size: USLetter Date:
 KiCad E.D.A. 9.0.0

Rev:
 Id: 1/1