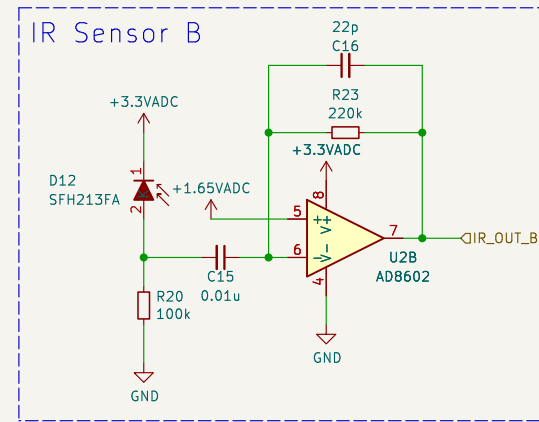
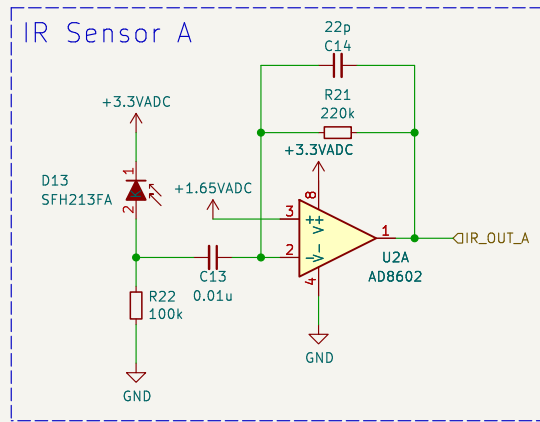


Sheet: /
 File: Mercury-v2.1-pcb.kicad_sch

Title:		Rev:	
Size: A4	Date:		
KiCad E.D.A. 9.0.0		Id: 1/12	



Sheet: /ir_sensor/
File: ir_sensor.kicad_sch

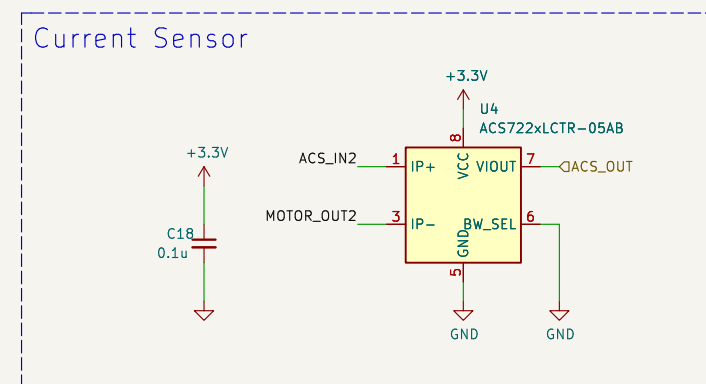
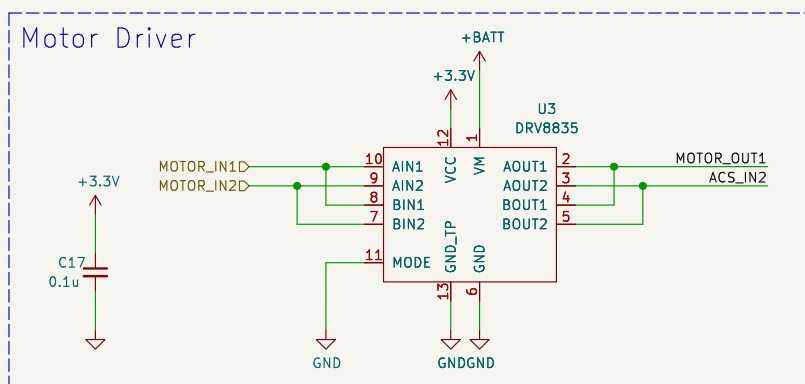
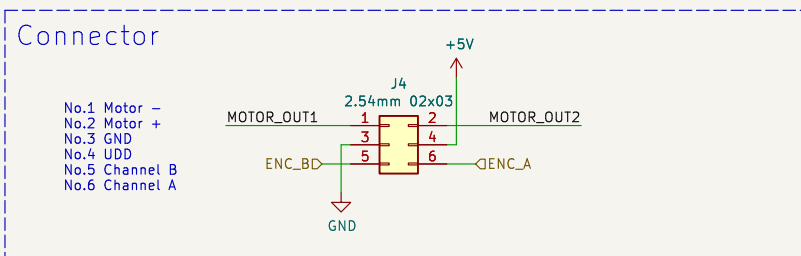
Title:

Size: A4
KiCad E.D.A. 9.0.0

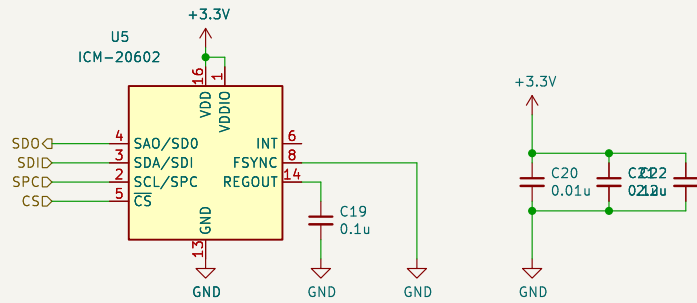
Date:

Rev:

Id: 3/12



Sheet: /motor_driver L/ File: motor_driver.kicad_sch		
Title:		
Size: A4	Date:	Rev:
KiCad E.D.A. 9.0.0		Id: 4/12



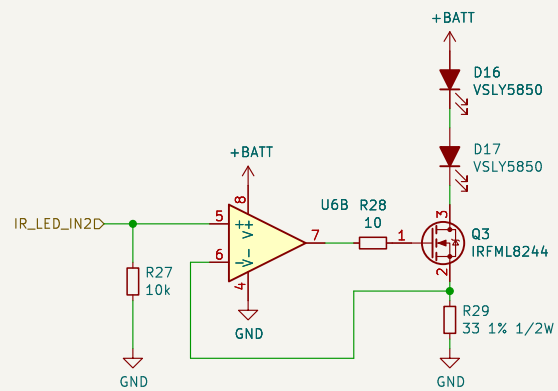
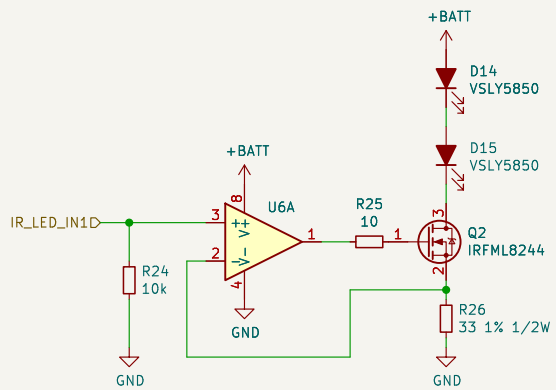
Sheet: /imu/
File: imu.kicad_sch

Title:

Size: A4
KiCad E.D.A. 9.0.0

Date:

Rev:
Id: 5/12



Sheet: /ir_led/
File: ir_led.kicad_sch

Title:

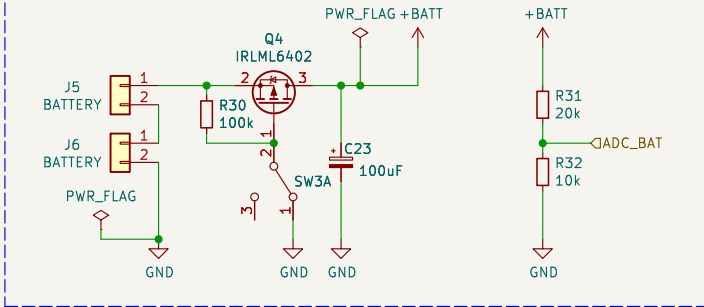
Size: A4 Date:

KiCad E.D.A. 9.0.0

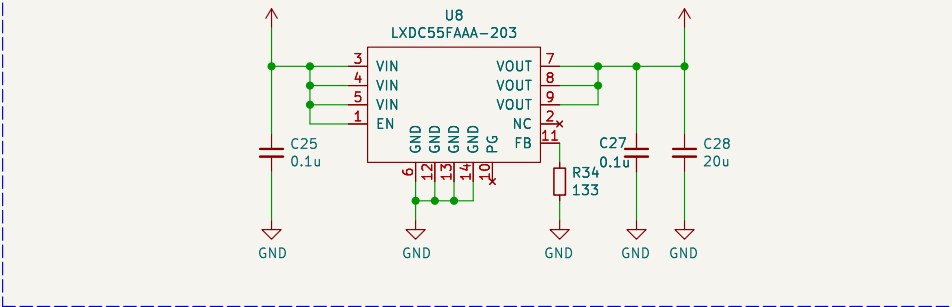
Rev:

Id: 6/12

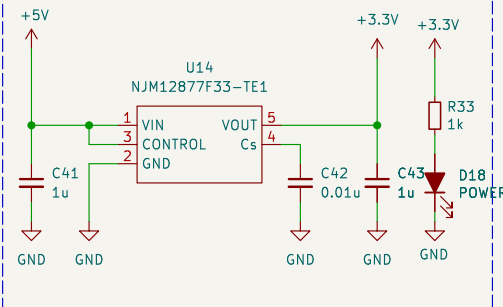
Battery



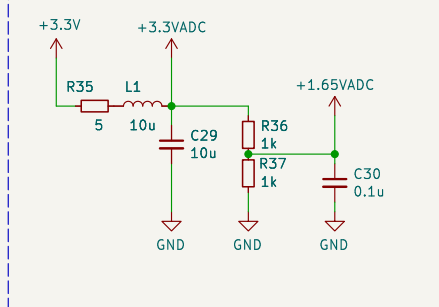
5V



3.3V



1.65V



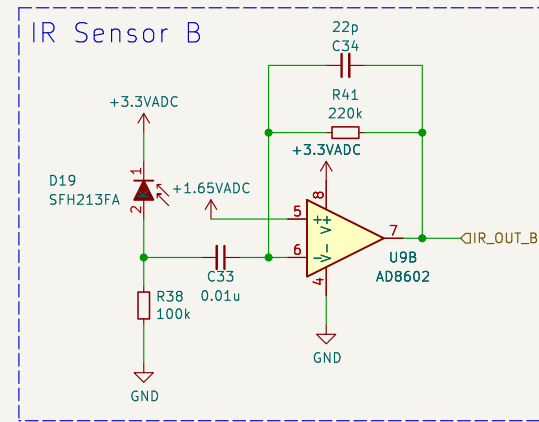
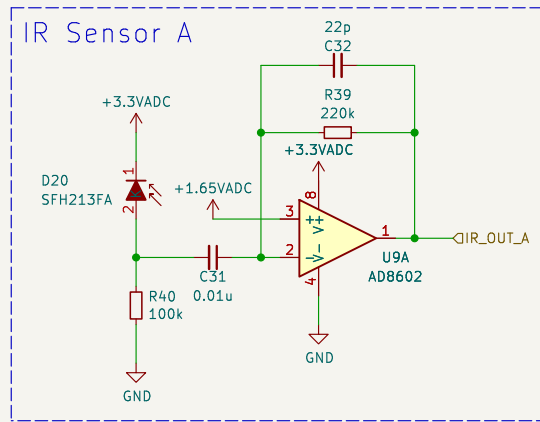
Sheet: /power_supply/
File: power_supply.kicad_sch

Title:

Size: A4
KiCad E.D.A. 9.0.0

Date:

Rev:
Id: 7/12



Sheet: /ir_sensor1/
File: ir_sensor.kicad_sch

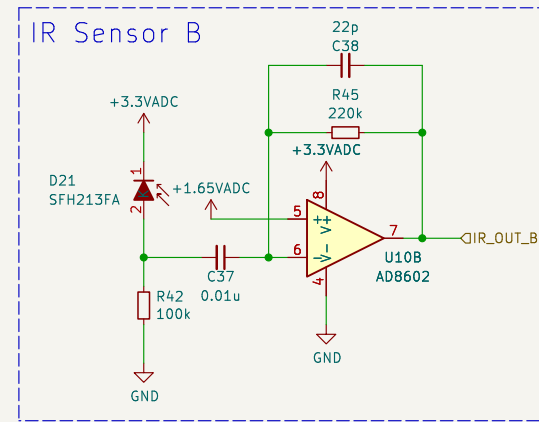
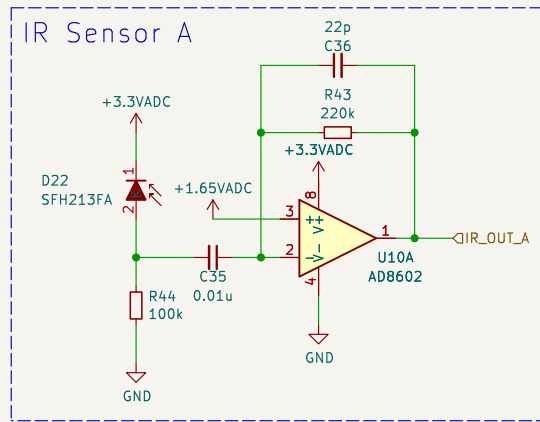
Title:

Size: A4
KiCad E.D.A. 9.0.0

Date:

Rev:

Id: 8/12

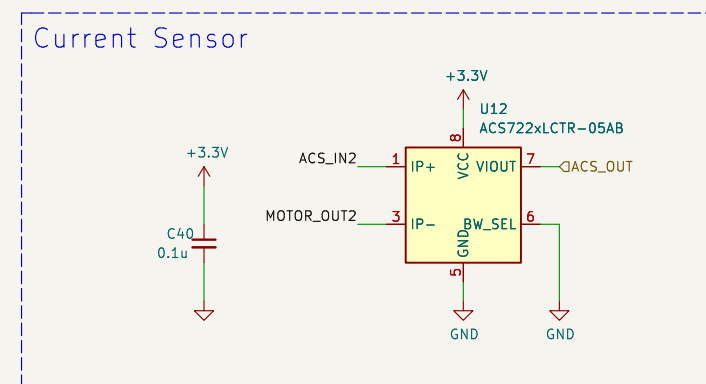
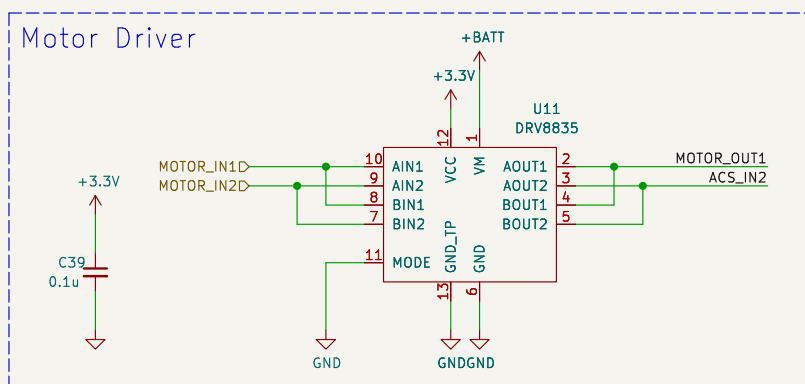
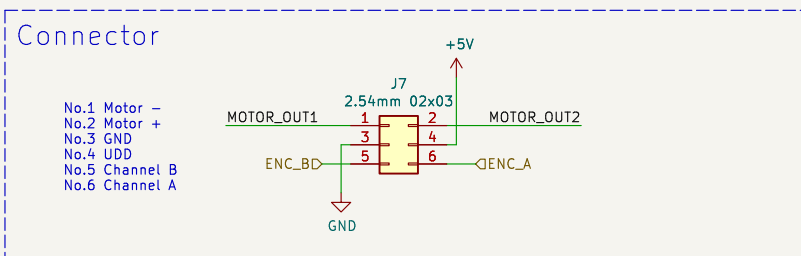


Sheet: /ir_sensor2/
 File: ir_sensor.kicad_sch

Title:

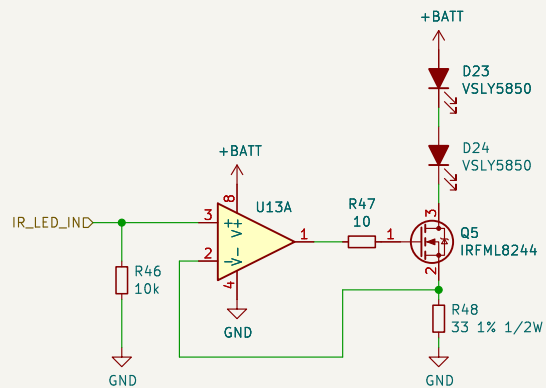
Size: A4 Date:
 KiCad E.D.A. 9.0.0

Rev:
 Id: 9/12



Sheet: /motor_driver R/
File: motor_driver.kicad_sch

Title:		Rev:	
Size: A4	Date:		
KiCad E.D.A. 9.0.0		Id: 12/12	



Sheet: /ir_led_single/
 File: ir_led_single.kicad_sch

Title:

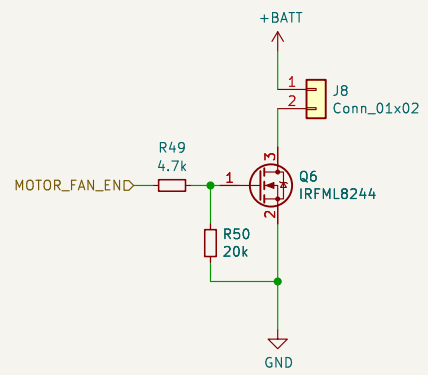
Size: A4

Date:

Rev:

KiCad E.D.A. 9.0.0

Id: 12/12



Sheet: /fan_driver/
File: fan_driver.kicad_sch

Title:

Size: A4 Date:

KiCad E.D.A. 9.0.0

Rev:

Id: 13/12