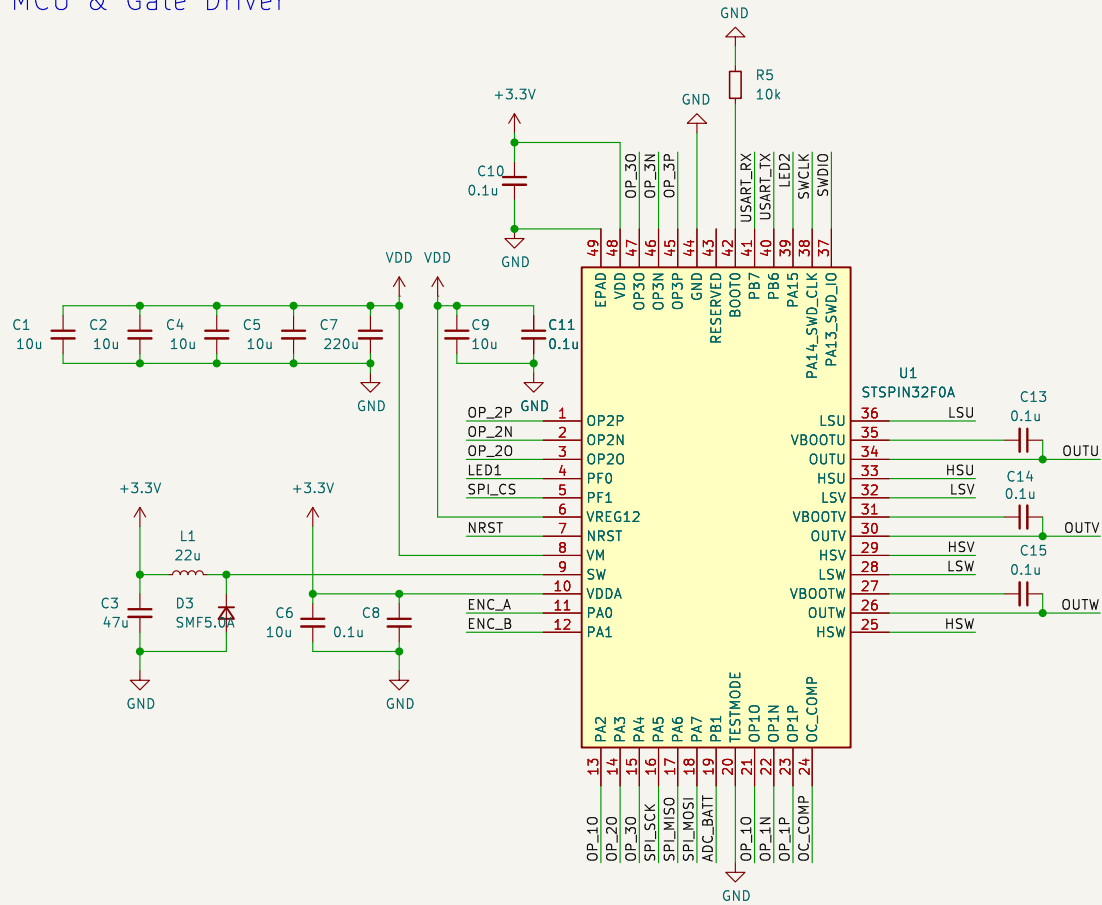
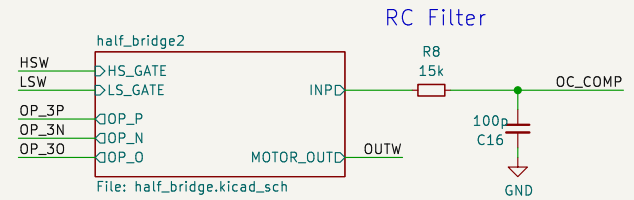
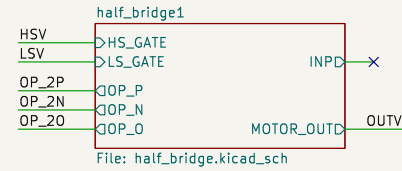
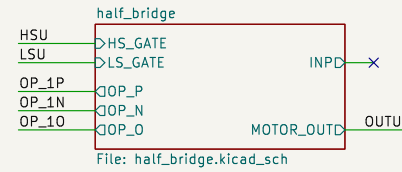


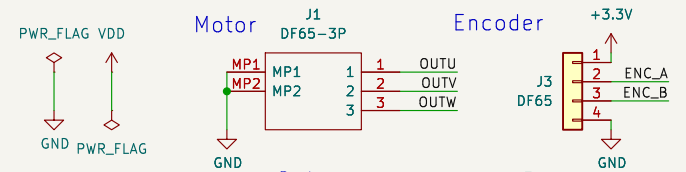
MCU & Gate Driver



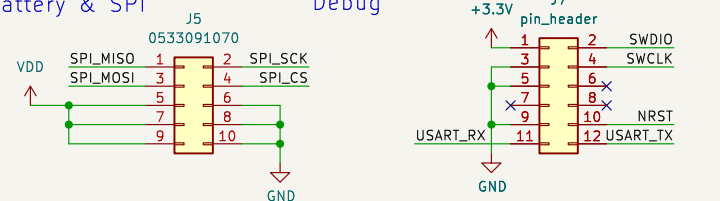
Half Bridge



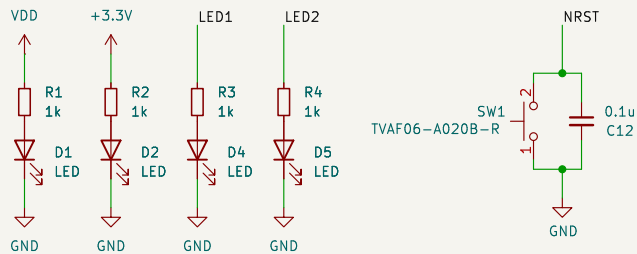
Connector



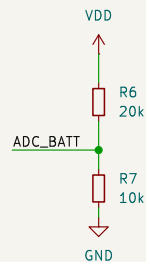
Battery & SPI



UI



Voltage Sense



Sheet: /
File: blmd.kicad_sch

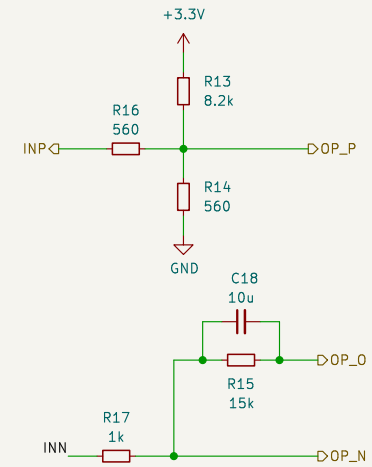
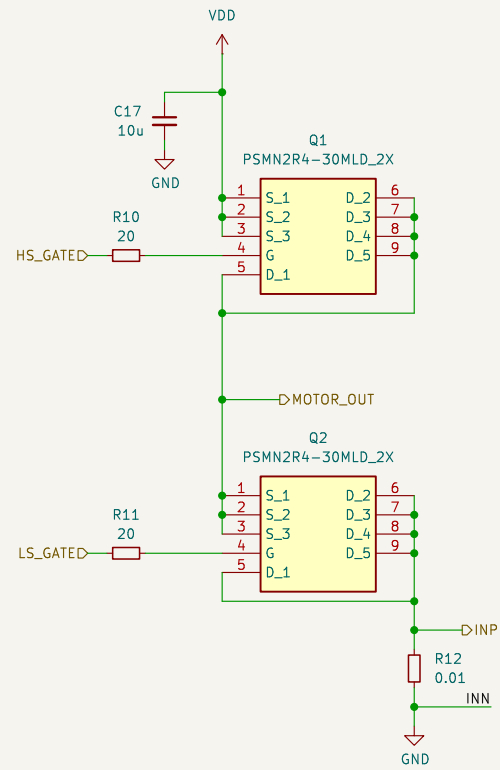
Title:

Size: A4
KiCad E.D.A. 9.0.0

Date:

Rev:

Id: 1/4



Sheet: /half_bridge1/
 File: half_bridge.kicad_sch

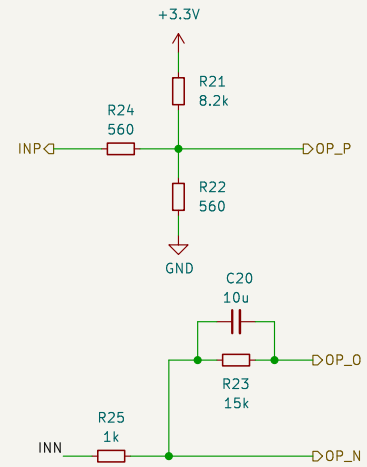
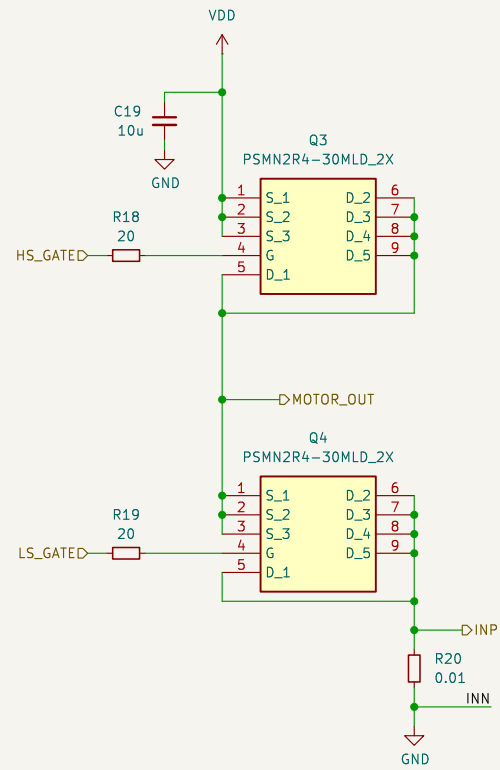
Title:

Size: A4 Date:

KiCad E.D.A. 9.0.0

Rev:

Id: 2/4

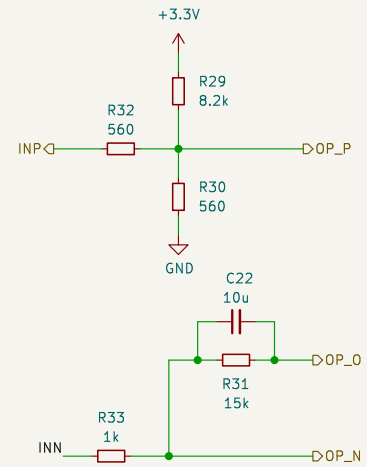
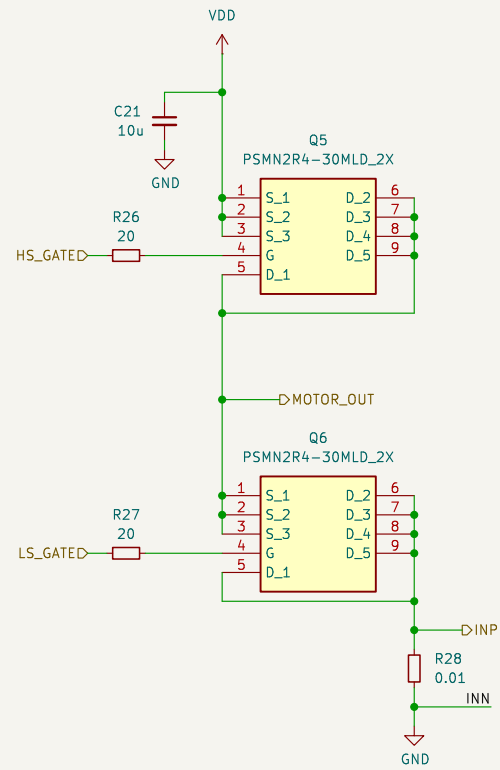


Sheet: /half_bridge/
 File: half_bridge.kicad_sch

Title:

Size: A4 Date:
 KiCad E.D.A. 9.0.0

Rev:
 Id: 3/4



Sheet: /half_bridge2/
 File: half_bridge.kicad_sch

Title:

Size: A4 Date:
 KiCad E.D.A. 9.0.0

Rev:
 Id: 4/4