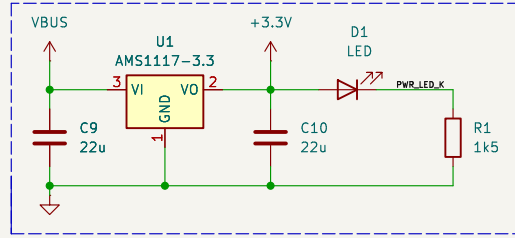


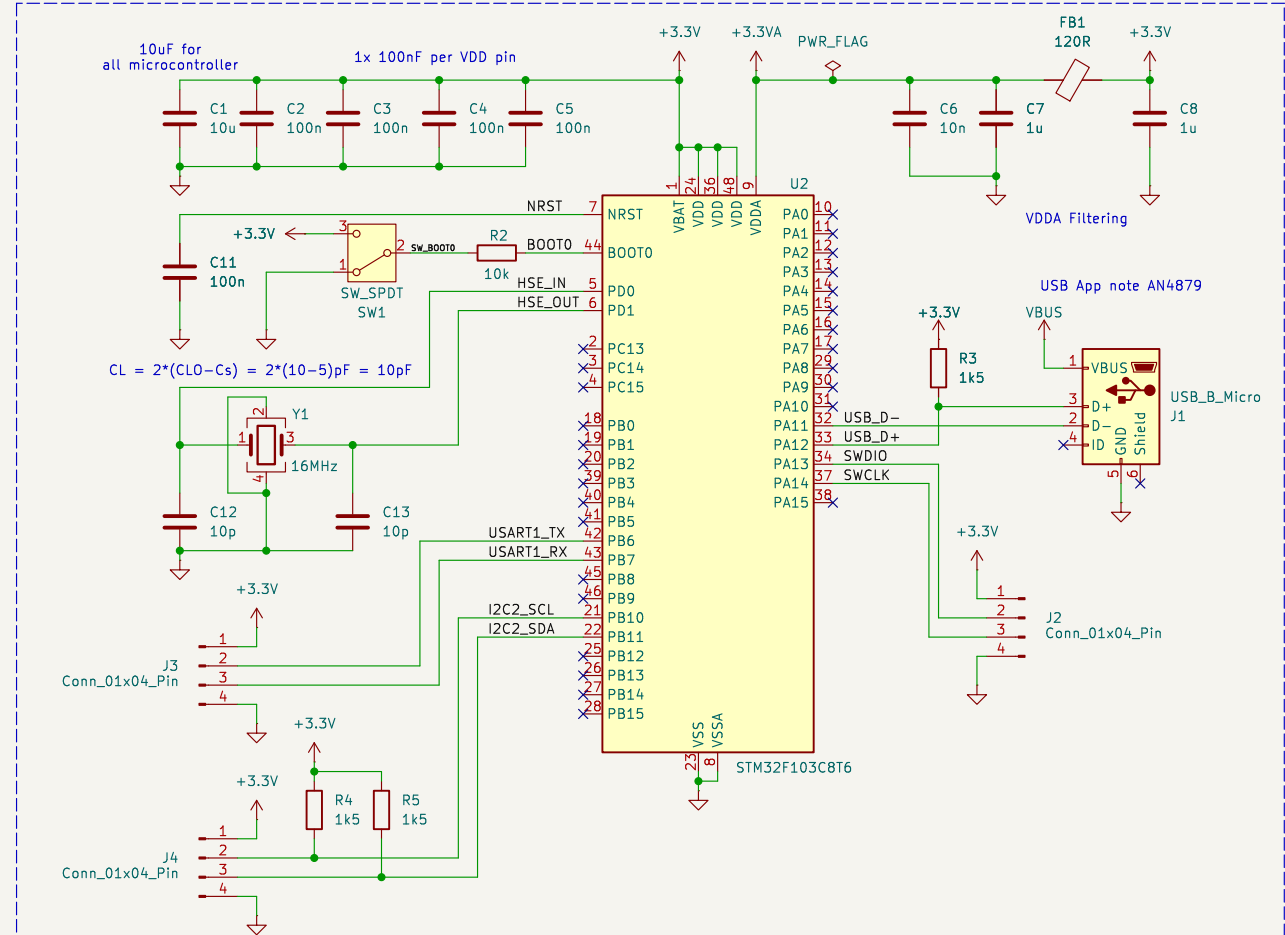
STM32 Demo PCB

Power Supply



VBUS from USB connector (nom. +5V) Min. 22uF inp./outp. caps

Microcontroller (and USB)



Pin-out using STM32CubeIDE

Mounting Holes

- H1 MountingHole
- H2 MountingHole
- H3 MountingHole
- H4 MountingHole

M2

Sheet: /
File: KiCad_Project.kicad_sch

Title: STM32 Demo PCB by UME

Size: A4 Date: 2024-08-07
KiCad E.D.A. 9.0.0

Rev:
Id: 1/1