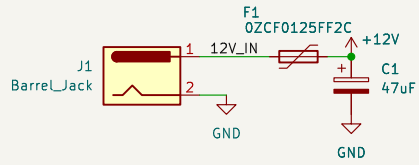
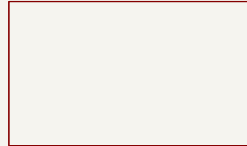


Power Input

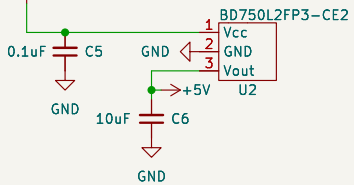


inverted_signal

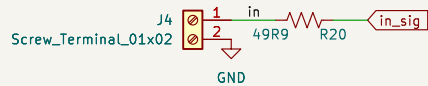


File: inv_drivers.kicad_sch

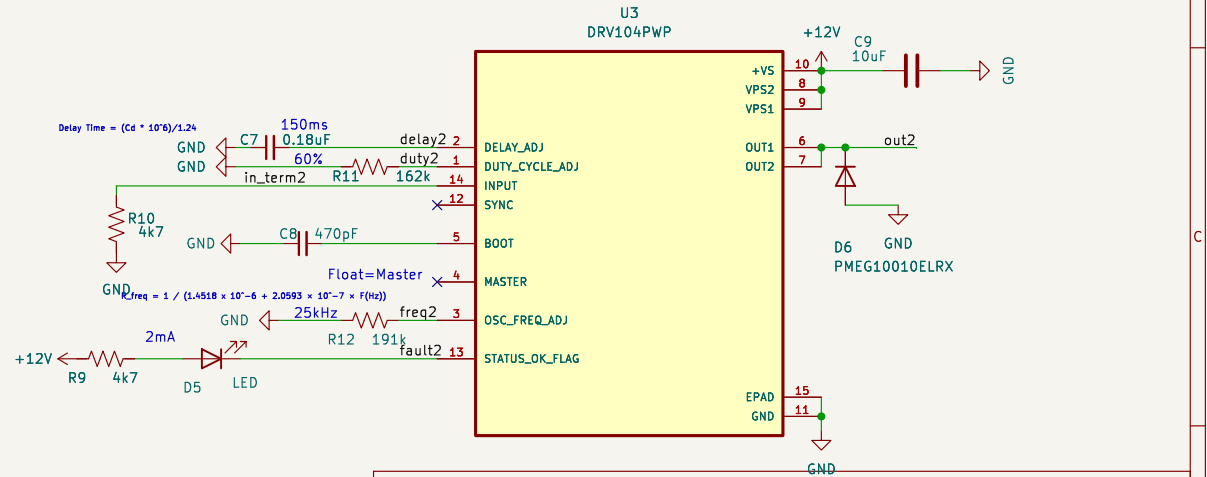
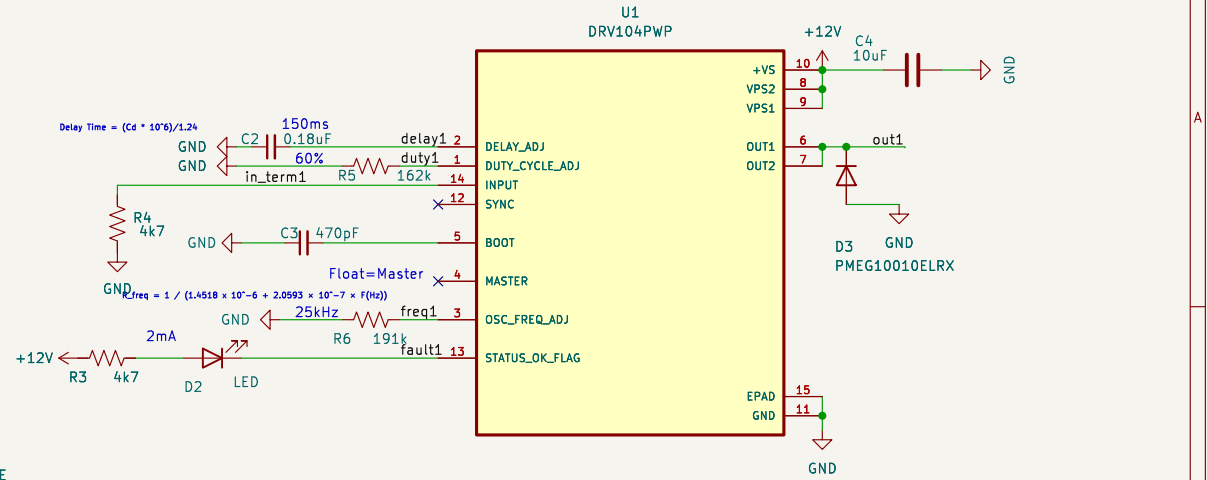
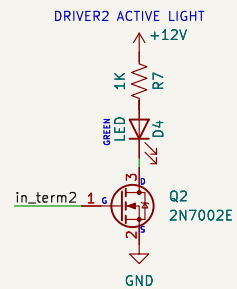
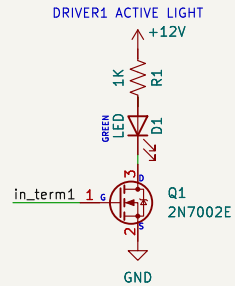
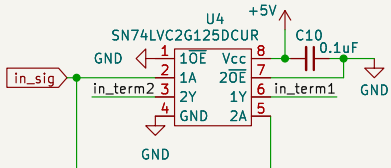
5V Voltage Regulator



Input Signal



Buffer for regular signal



Sheet: /
File: 4ch-driver-v0.kicad_sch

Title:

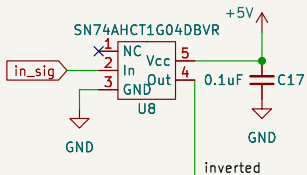
Size: A4
KiCad E.D.A. 9.0.0

Date:

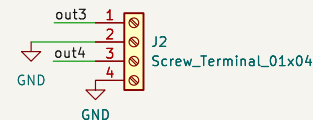
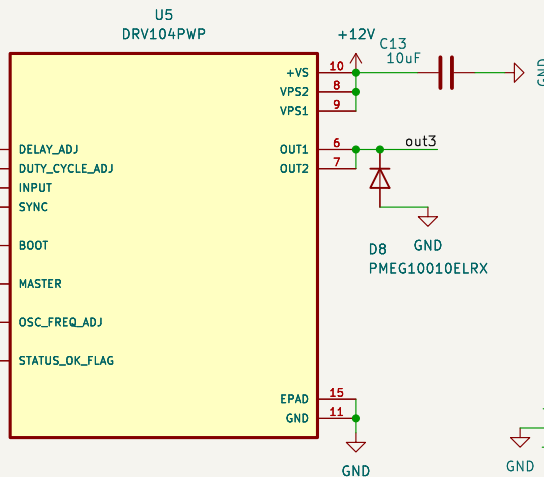
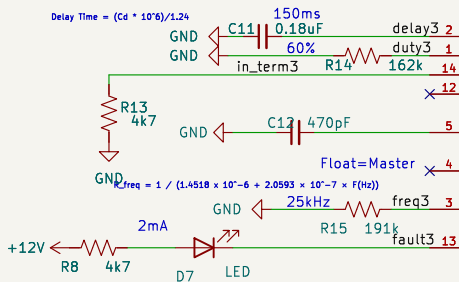
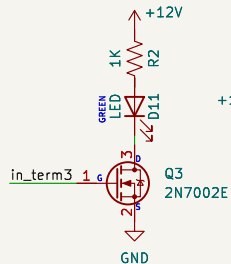
Rev:

Id: 1/2

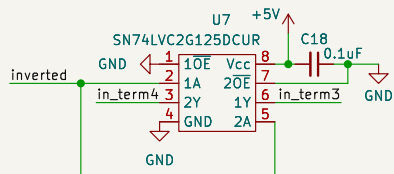
Signal Inverter



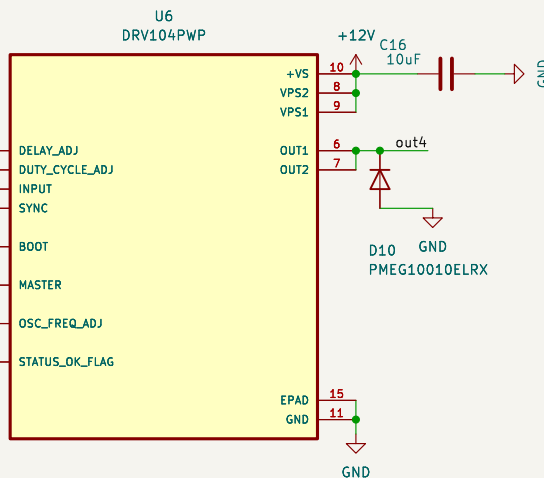
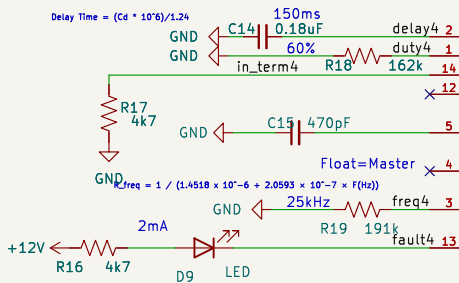
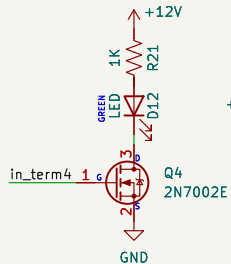
DRIVER3 ACTIVE LIGHT



Buffer for inverted signal



DRIVER4 ACTIVE LIGHT



Sheet: /inverted_signal/
File: inv_drivers.kicad_sch

Title:		Rev:	
Size: A4	Date:		
KiCad E.D.A. 9.0.0		Id: 2/2	