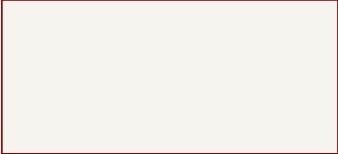
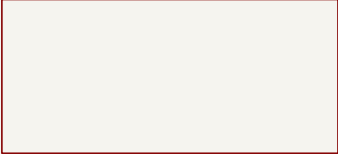


additional-channels-p1

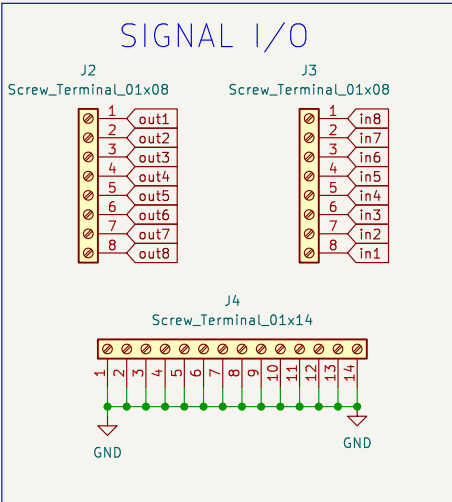


File: additional-channels-p1.kicad\_sch

additional-channels-p2

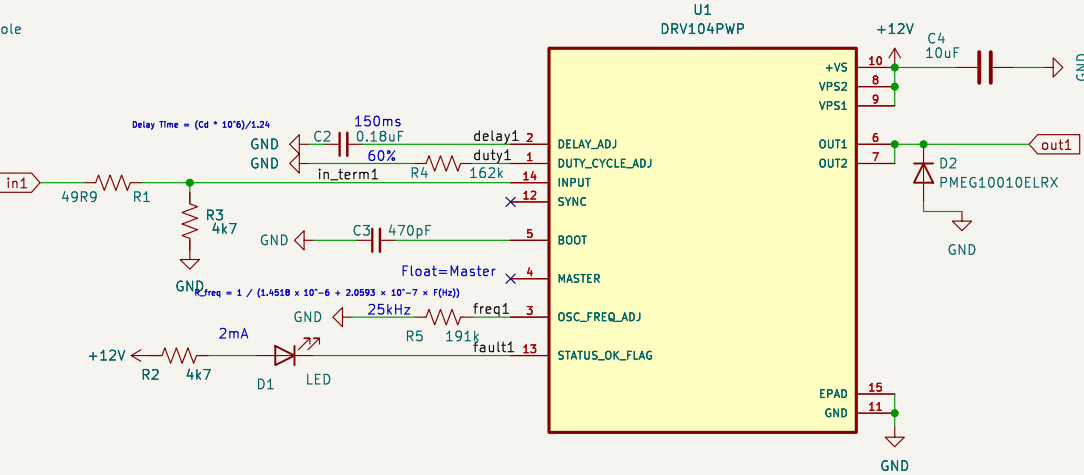
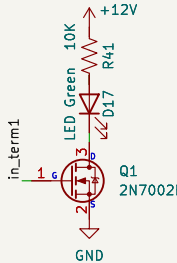


File: additional-channels-p2.kicad\_sch

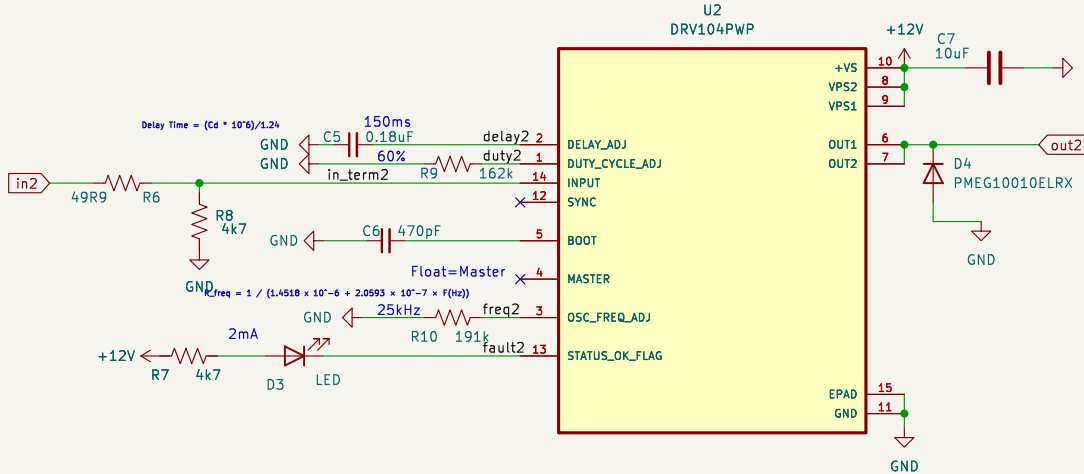
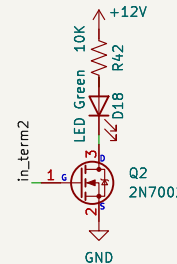


H1 MountingHole H2 MountingHole

DRIVER1 ACTIVE LIGHT



DRIVER2 ACTIVE LIGHT



Boston University

Sheet: /  
File: 8ch-driver-v0.kicad\_sch

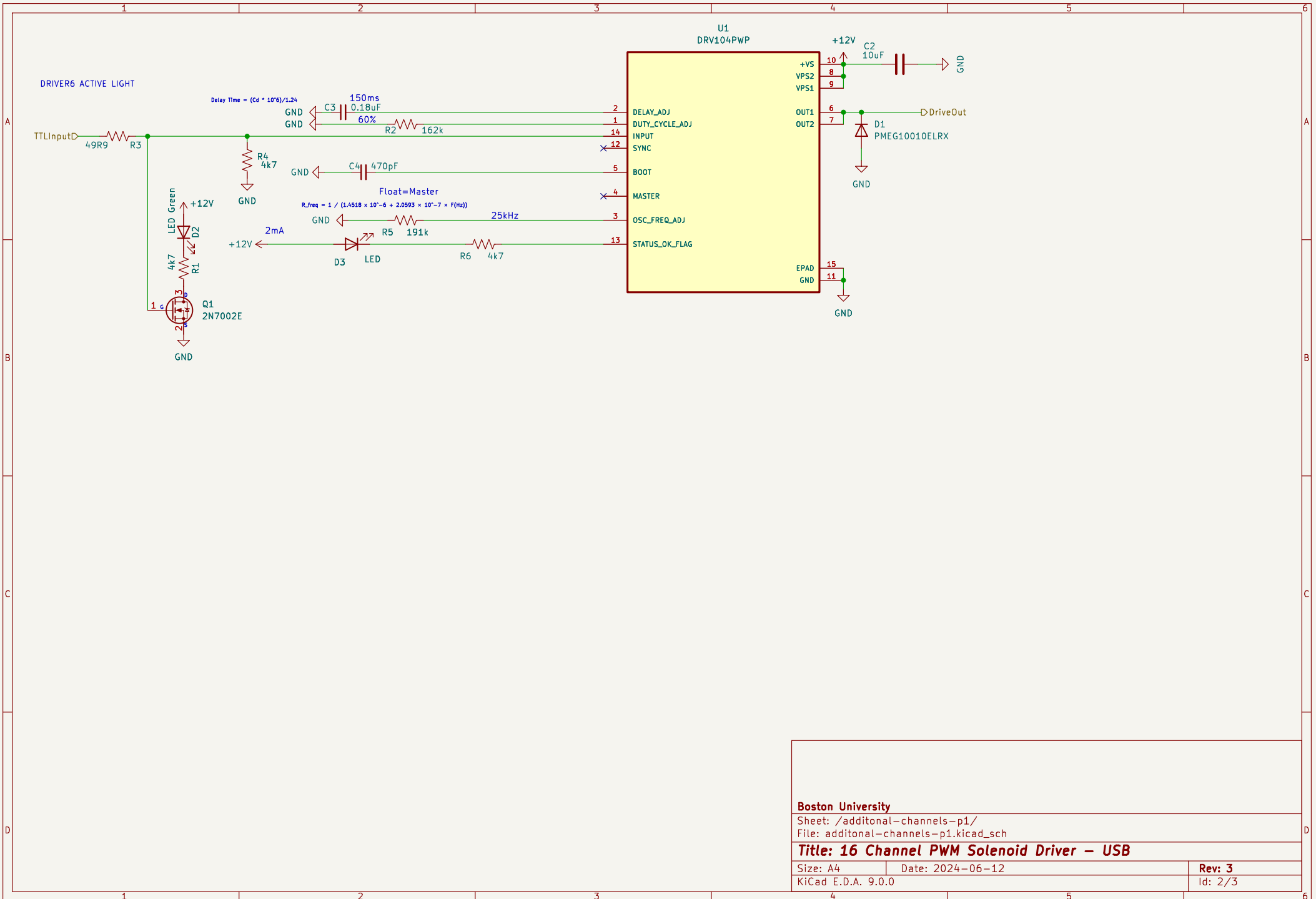
**Title: 8 Channel PWM Solenoid Driver**

Size: A4 Date: 2023-08-16

KiCad E.D.A. 9.0.0

Rev: 1.0

Id: 1/3



**Boston University**

Sheet: /additional-channels-p1/  
 File: additional-channels-p1.kicad\_sch

**Title: 16 Channel PWM Solenoid Driver - USB**

Size: A4 | Date: 2024-06-12

Rev: 3  
 Id: 2/3

