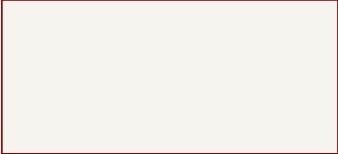
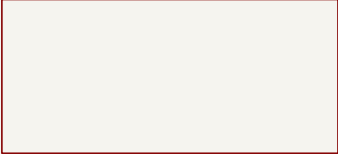


additional-channels-p1

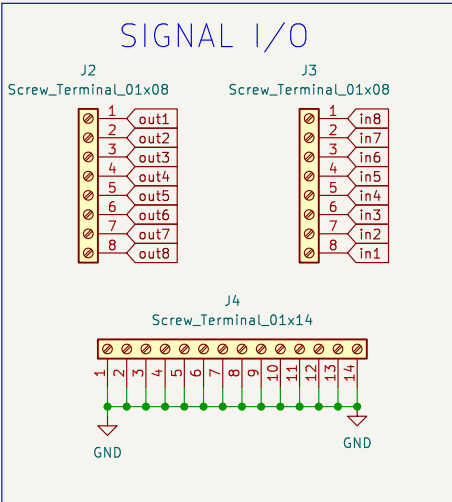


File: additional-channels-p1.kicad_sch

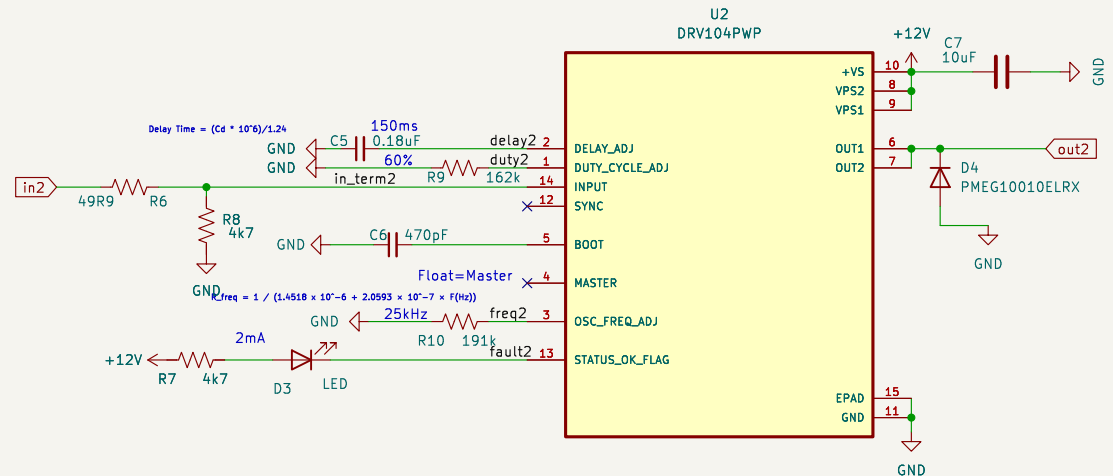
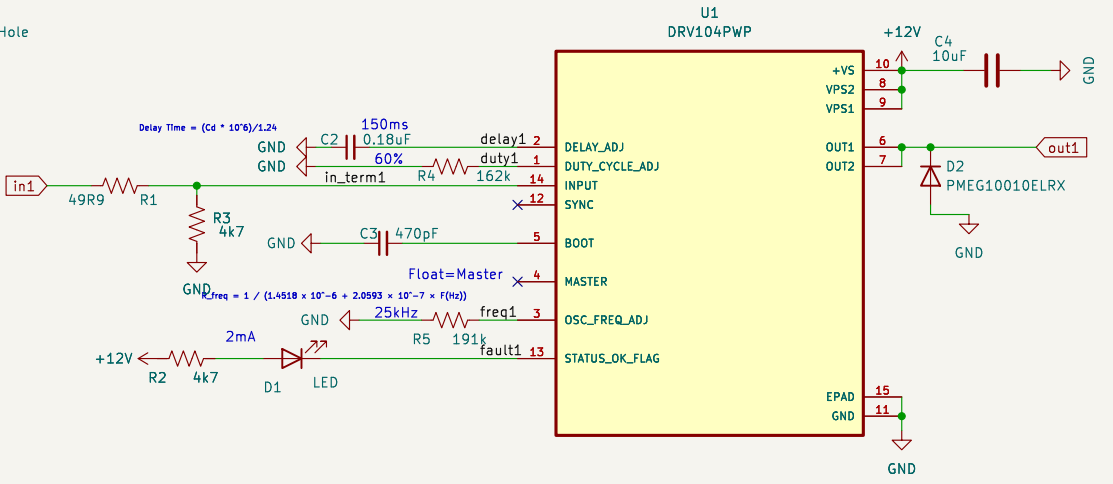
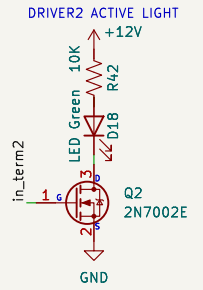
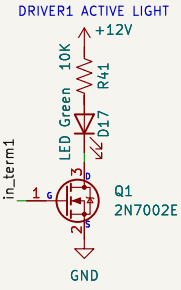
additional-channels-p2



File: additional-channels-p2.kicad_sch



H1 MountingHole H2 MountingHole



Boston University

Sheet: /
File: 8ch-driver-v1.1.kicad_sch

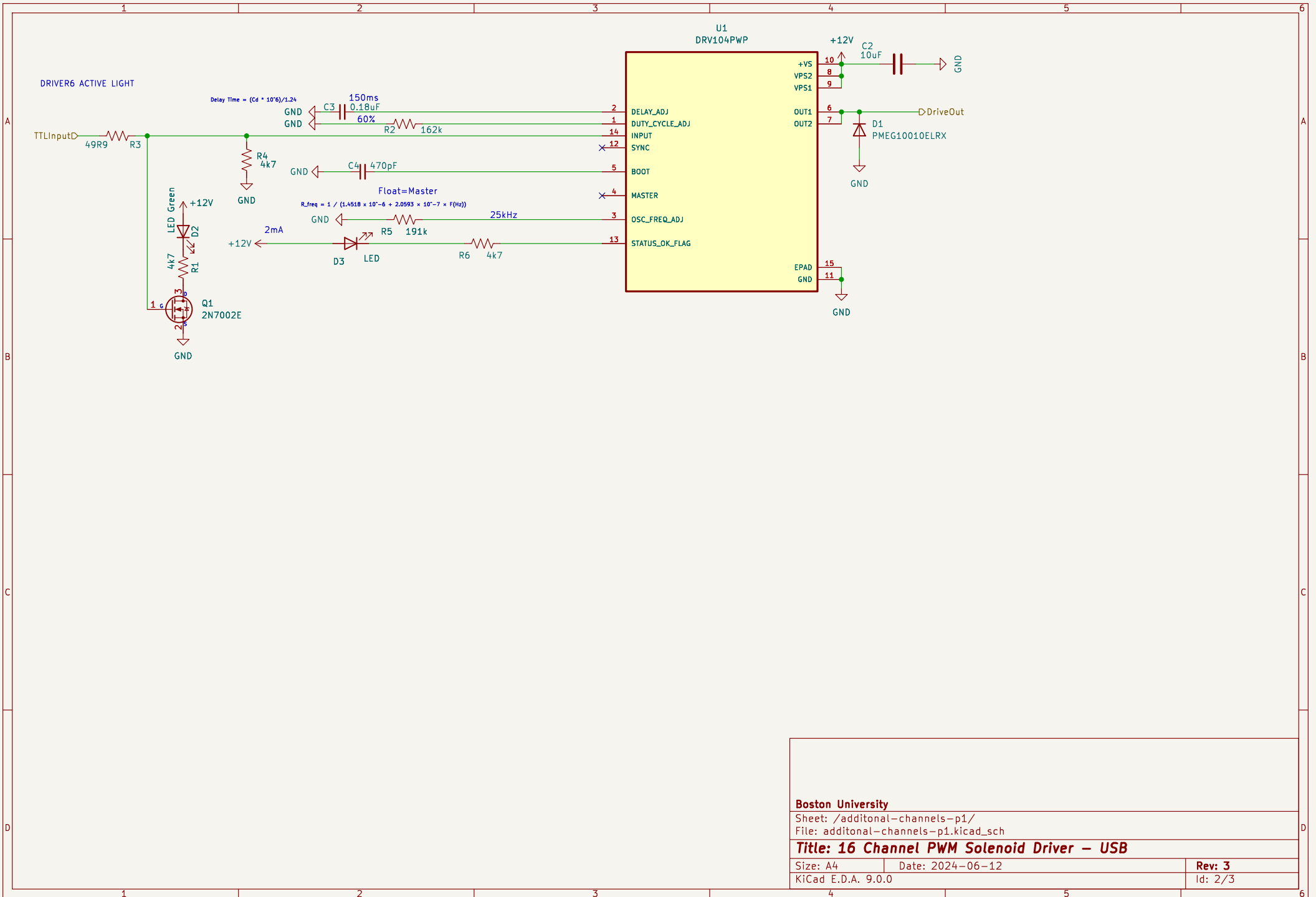
Title: 8 Channel PWM Solenoid Driver

Size: A4 Date: 2023-08-16

KiCad E.D.A. 9.0.0

Rev: 1.0

Id: 1/3



Boston University

Sheet: /additional-channels-p1/
 File: additional-channels-p1.kicad_sch

Title: 16 Channel PWM Solenoid Driver - USB

Size: A4 Date: 2024-06-12

Rev: 3

KiCad E.D.A. 9.0.0

Id: 2/3

