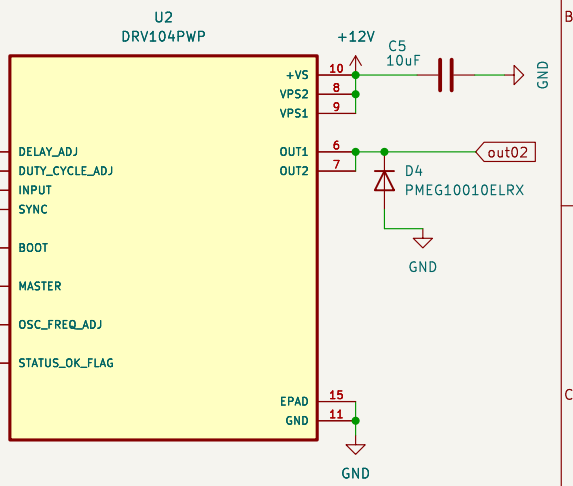
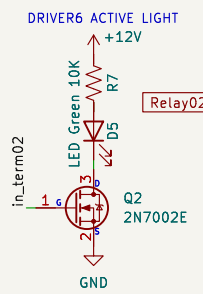
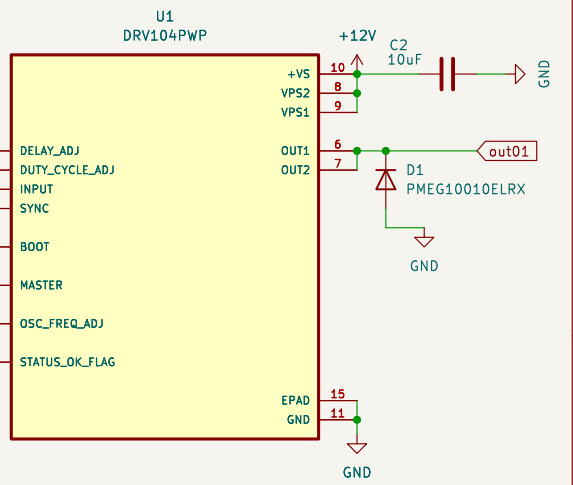
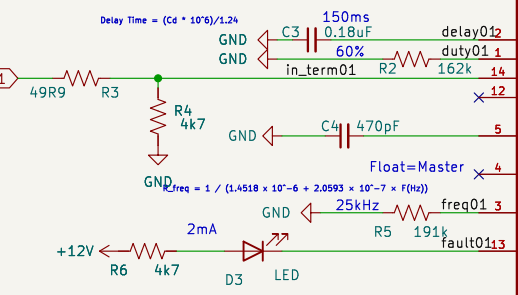
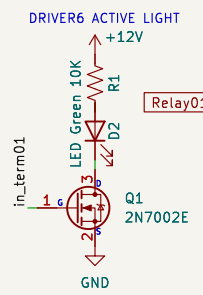
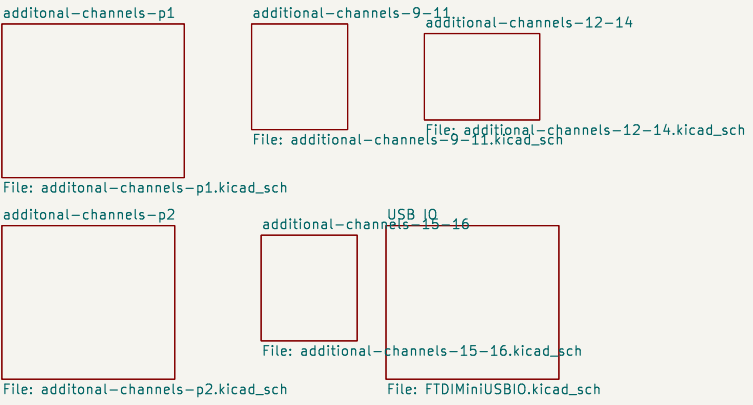
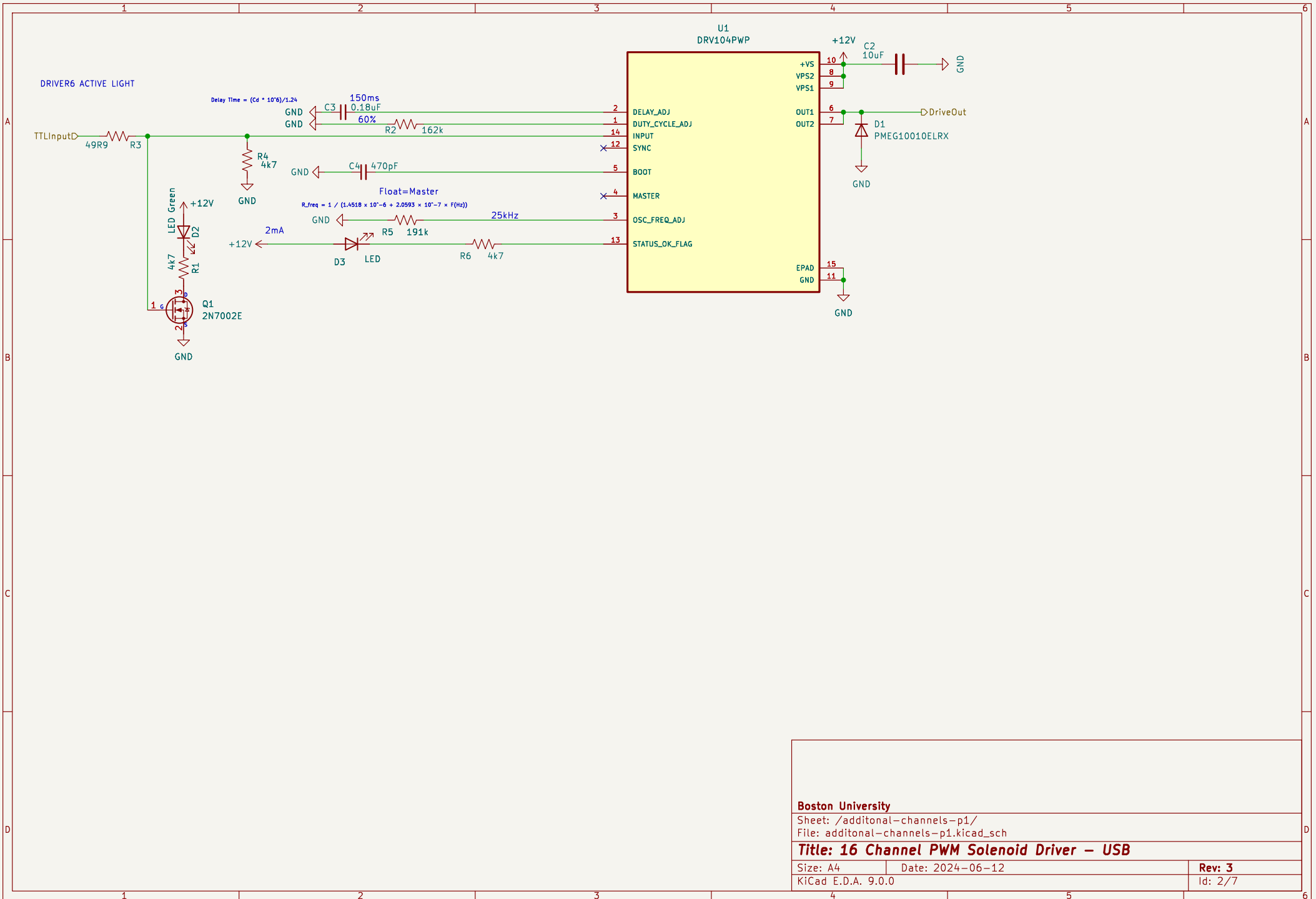


H1 MountingHole H2 MountingHole



Boston University	
Sheet: /	
File: 8ch-driver-v2.kicad_sch	
Title: 16 Channel PWM Solenoid Driver – USB	
Size: A4	Date: 2024-06-12
KiCad E.D.A. 9.0.0	Rev: 3
	Id: 1/7



Boston University

Sheet: /additional-channels-p1/
 File: additional-channels-p1.kicad_sch

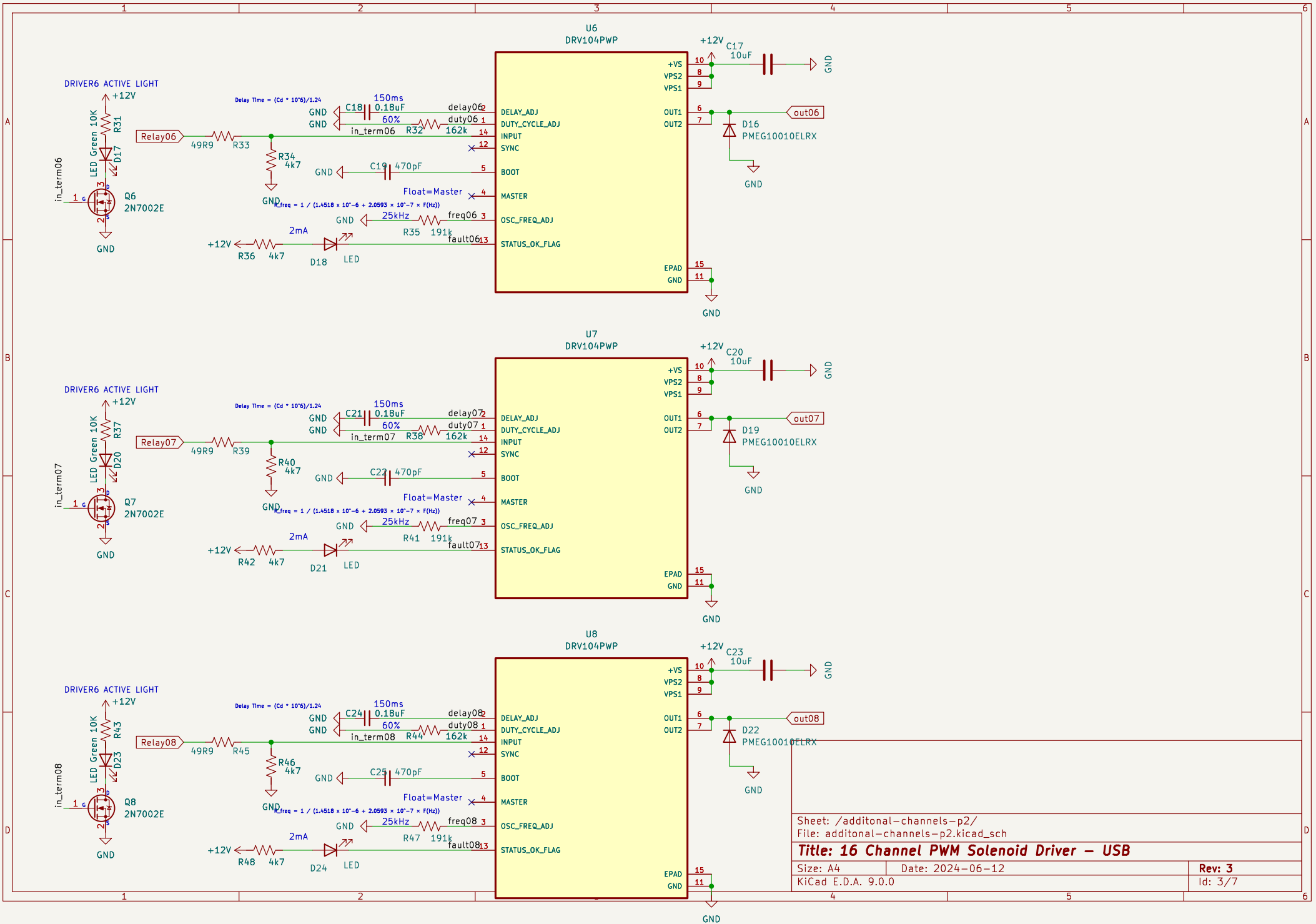
Title: 16 Channel PWM Solenoid Driver - USB

Size: A4 Date: 2024-06-12

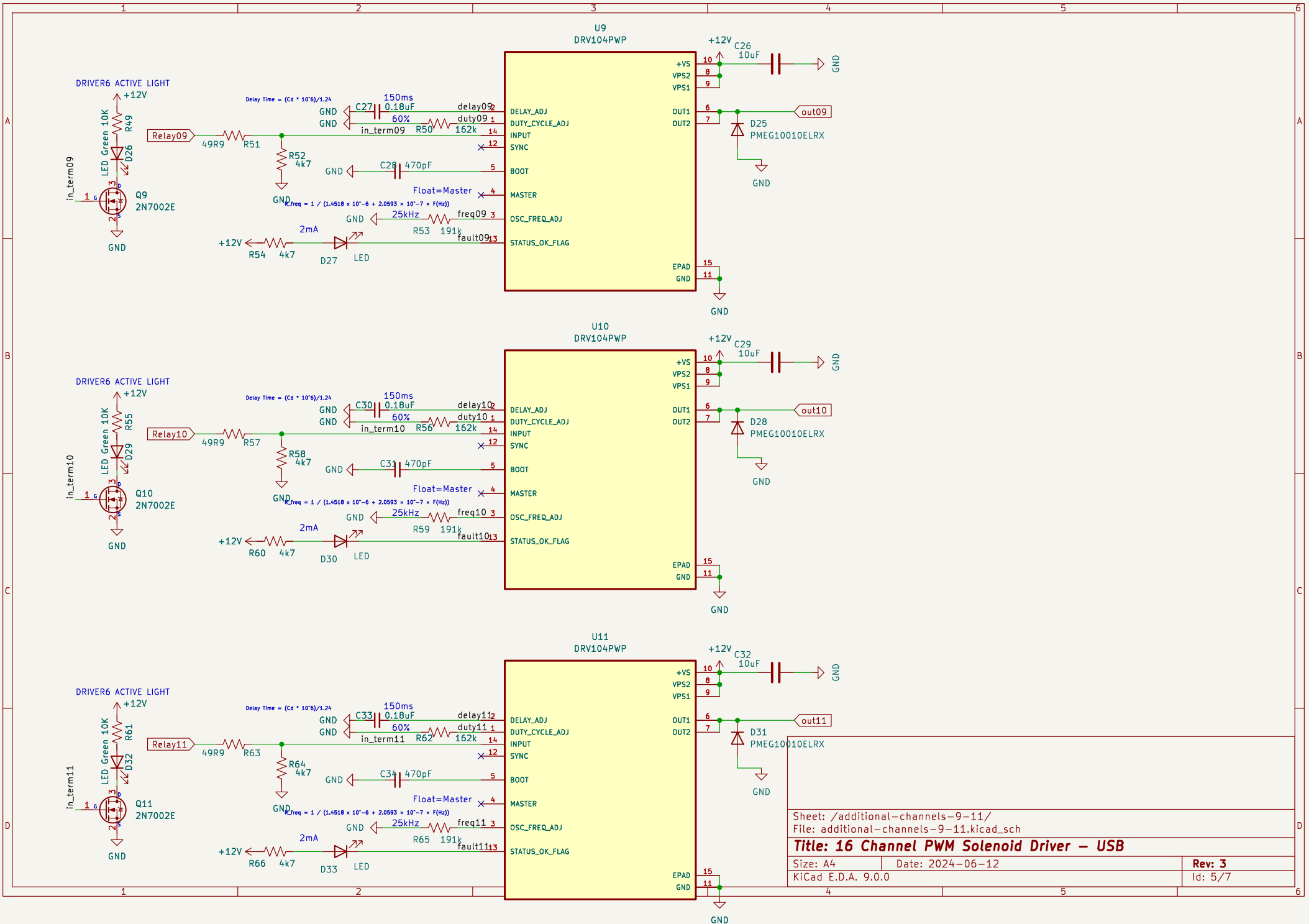
Rev: 3

KiCad E.D.A. 9.0.0

Id: 2/7

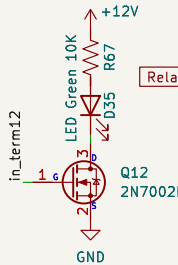


Sheet: /additional-channels-p2/
 File: additional-channels-p2.kicad_sch
Title: 16 Channel PWM Solenoid Driver – USB
 Size: A4 Date: 2024-06-12 Rev: 3
 KiCad E.D.A. 9.0.0 Id: 3/7

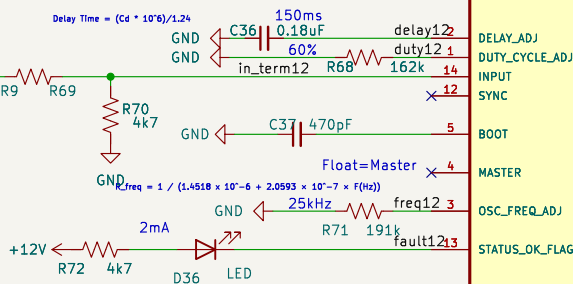


Sheet: /additional-channels-9-11/	
File: additional-channels-9-11.kicad_sch	
Title: 16 Channel PWM Solenoid Driver – USB	
Size: A4	Date: 2024-06-12
KiCad E.D.A. 9.0.0	Rev: 3
	Id: 5/7

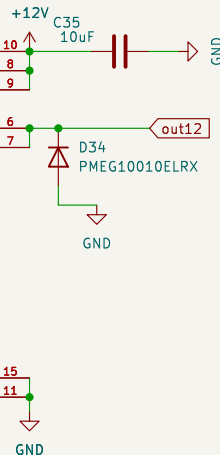
DRIVER6 ACTIVE LIGHT



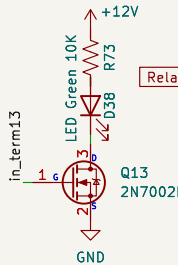
Relay12



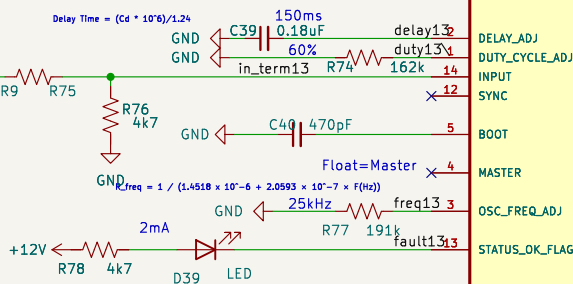
U12
DRV104PWP



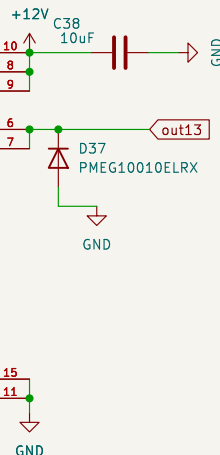
DRIVER6 ACTIVE LIGHT



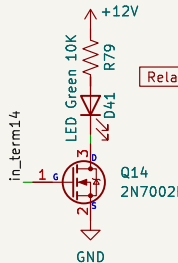
Relay13



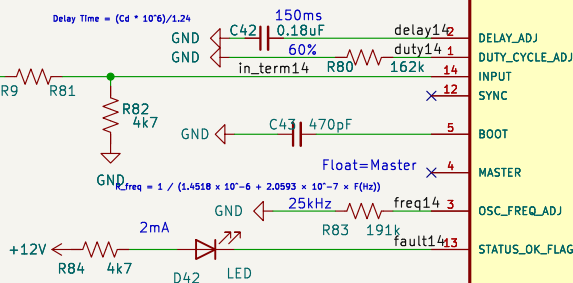
U13
DRV104PWP



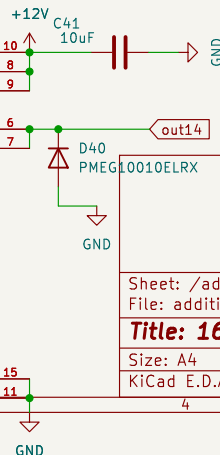
DRIVER6 ACTIVE LIGHT



Relay14



U14
DRV104PWP

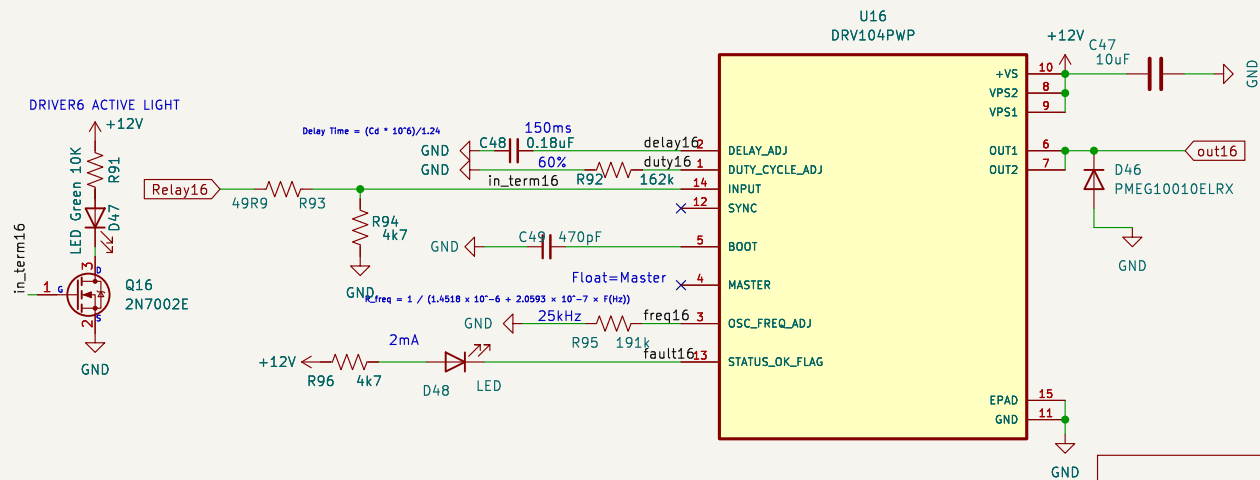
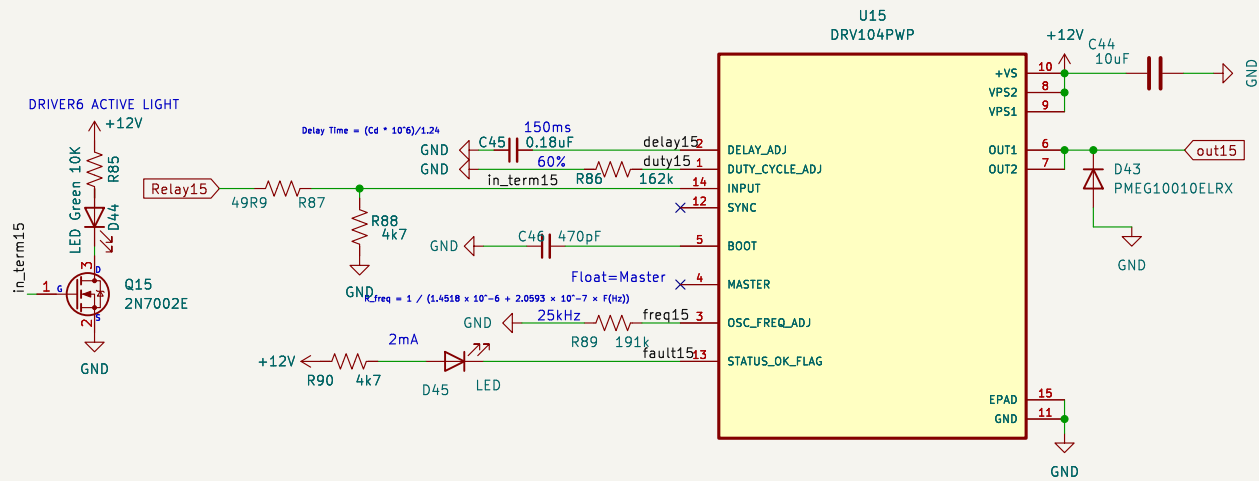


Sheet: /additional-channels-12-14/
File: additional-channels-12-14.kicad_sch

Title: 16 Channel PWM Solenoid Driver - USB

Size: A4 Date: 2024-06-12
KiCad E.D.A. 9.0.0

Rev: 3
Id: 6/7



Sheet: /additional-channels-15-16/
 File: additional-channels-15-16.kicad_sch

Title: 16 Channel PWM Solenoid Driver - USB

Size: A4 | Date: 2024-06-12

KiCad E.D.A. 9.0.0

Rev: 3

Id: 7/7

