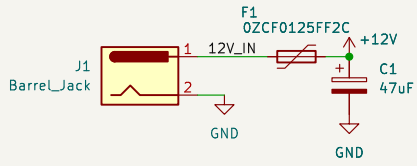
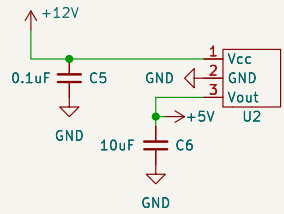


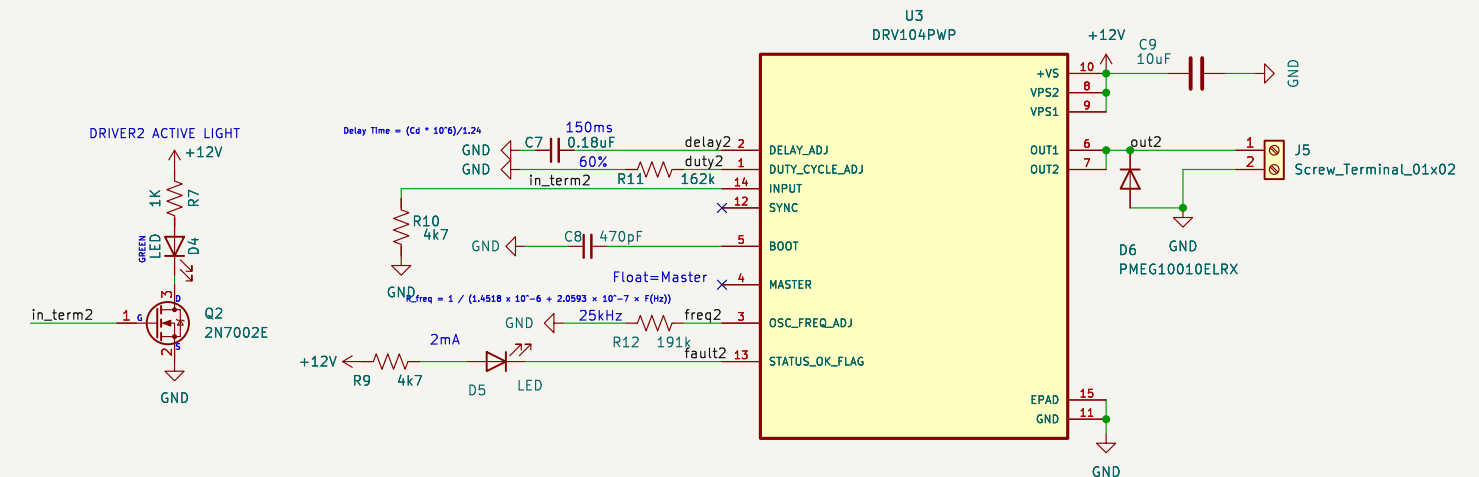
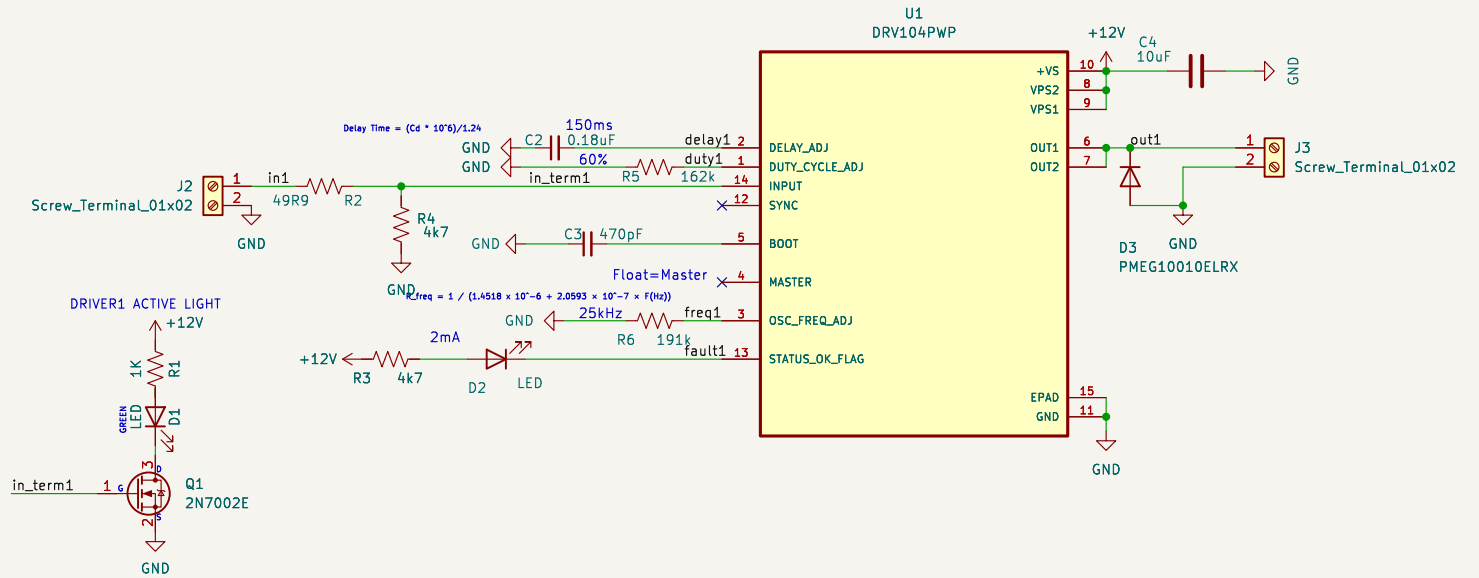
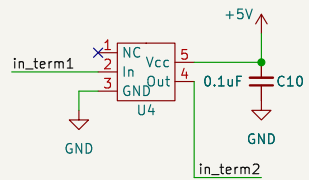
Power Input



5V Voltage Regulator



Signal Inverter



Sheet: /	
File: 2ch-driver-v0.kicad_sch	
Title:	
Size: A4	Date:
KiCad E.D.A. 9.0.0	Rev: 1/1