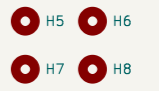
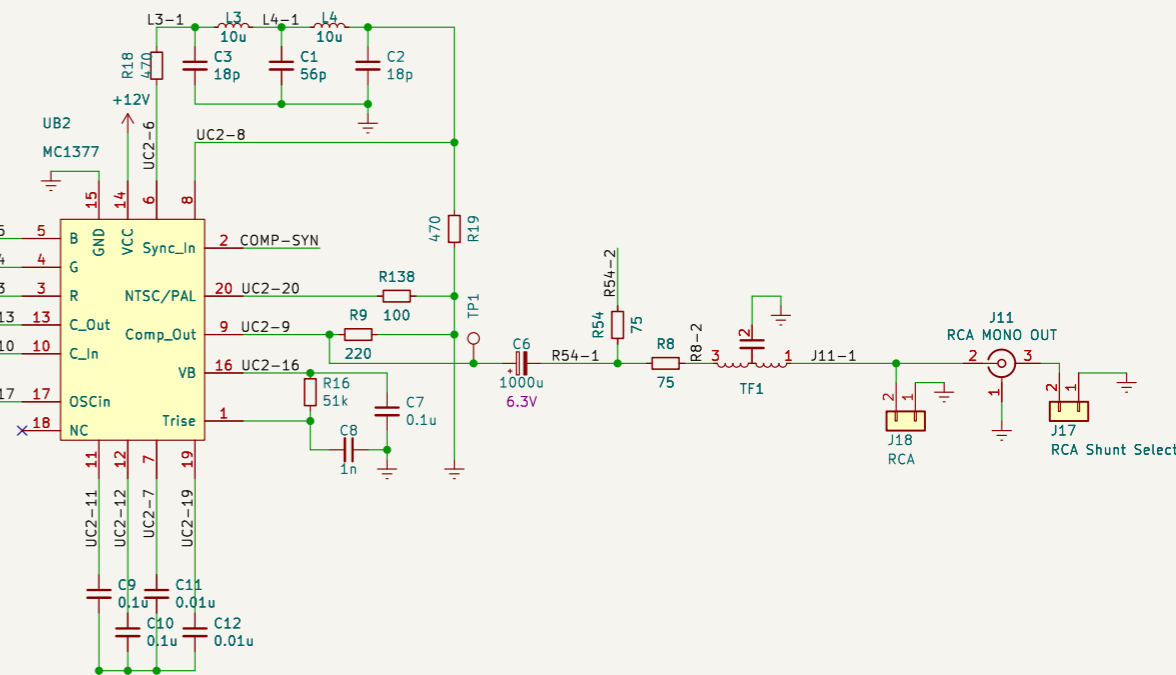
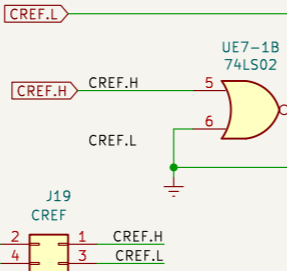
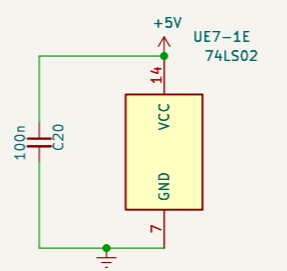
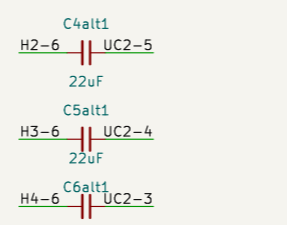
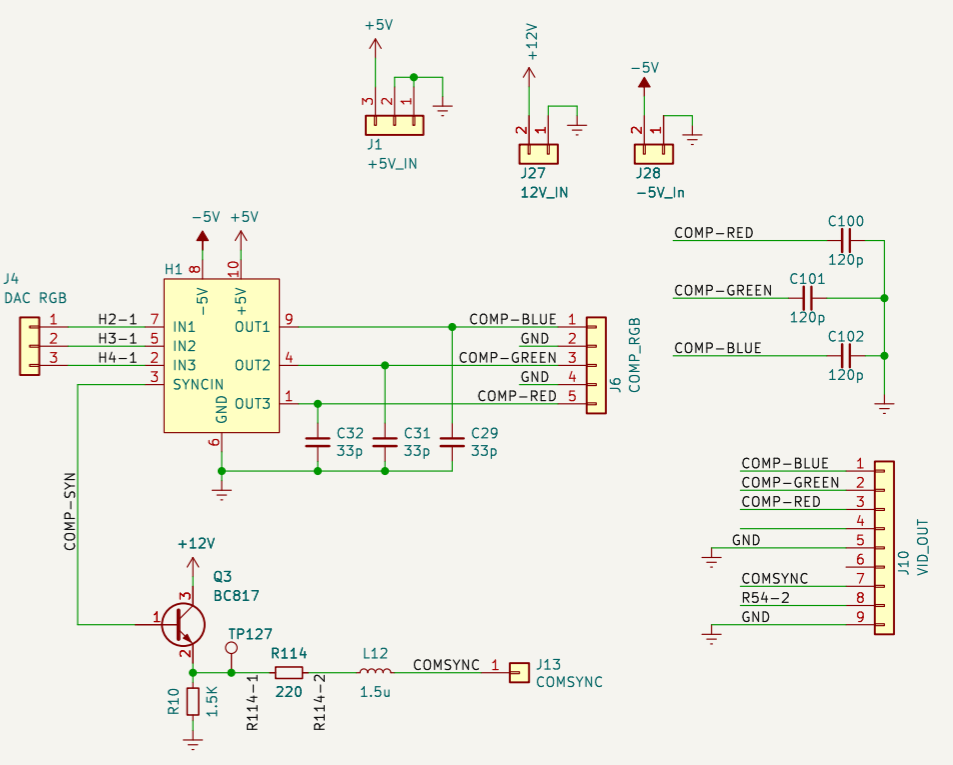
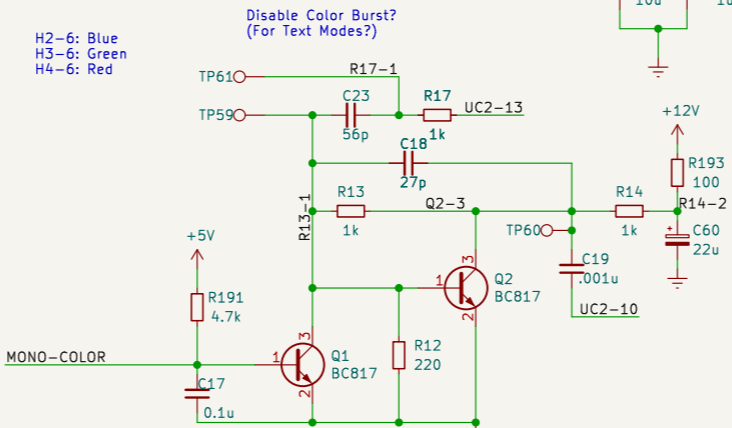
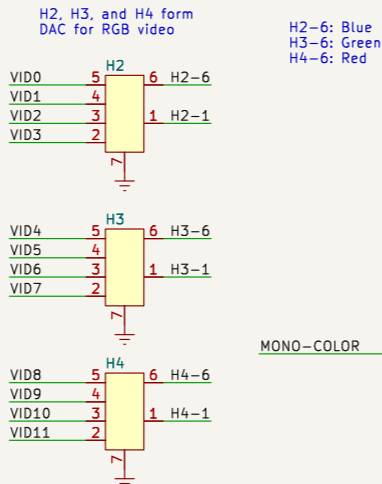
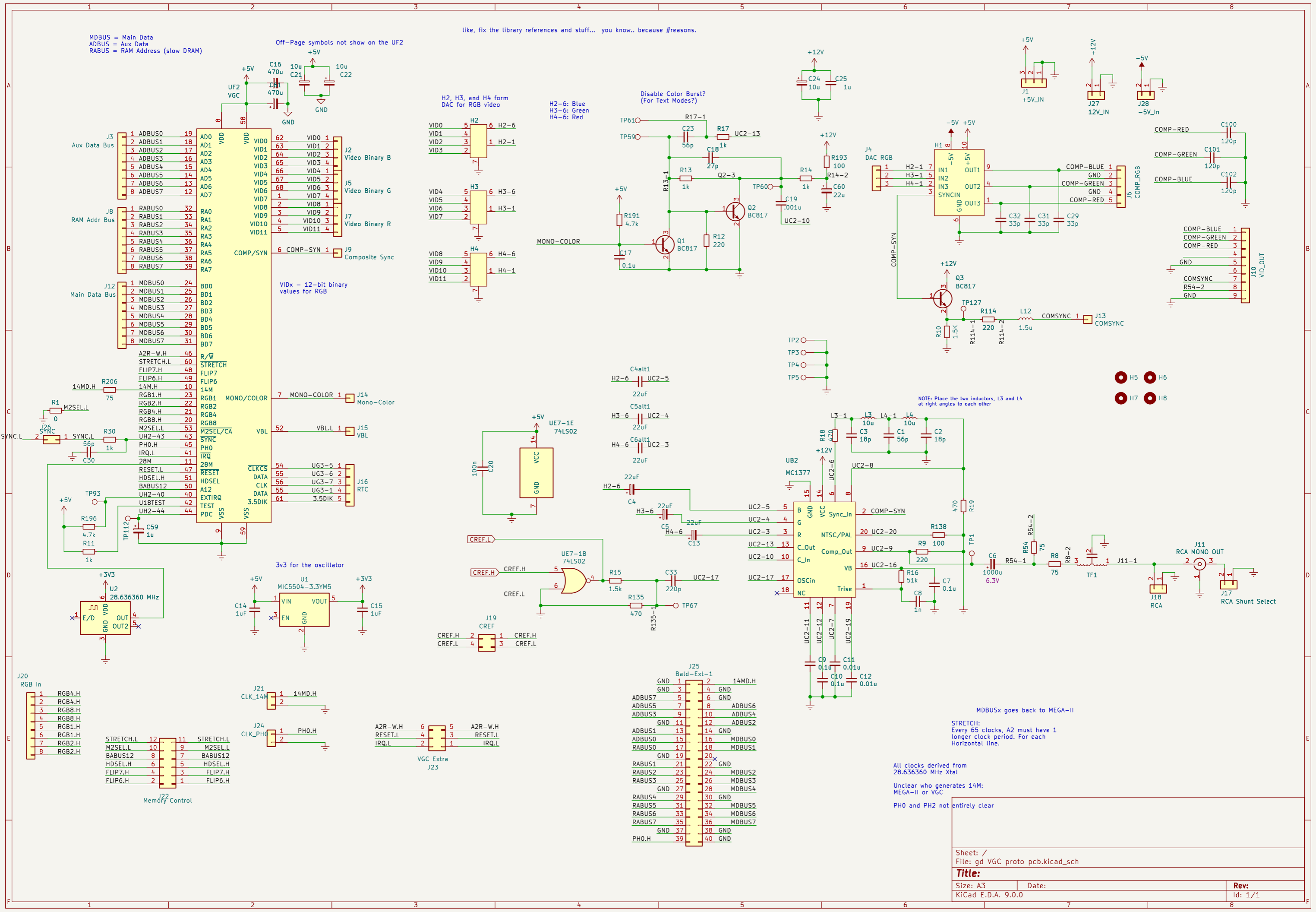


like, fix the library references and stuff... you know.. because #reasons.

MDBUS = Main Data
 ADBUS = Aux Data
 RABUS = RAM Address (slow DRAM)

Off-Page symbols not show on the UF2



MDBUSx goes back to MEGA-II

STRETCH: Every 65 clocks, A2 must have 1 longer clock period. For each Horizontal line.

All clocks derived from 28.636360 Mhz Xtal

Unclear who generates 14M: MEGA-II or VGC

PH0 and PH2 not entirely clear

Sheet: /
 File: gd VGC proto pcb.kicad_sch

| | | |
|--------------------|-------|-------------|
| Title: | | Rev: |
| Size: A3 | Date: | Id: 1/1 |
| KiCad E.D.A. 9.0.0 | | |