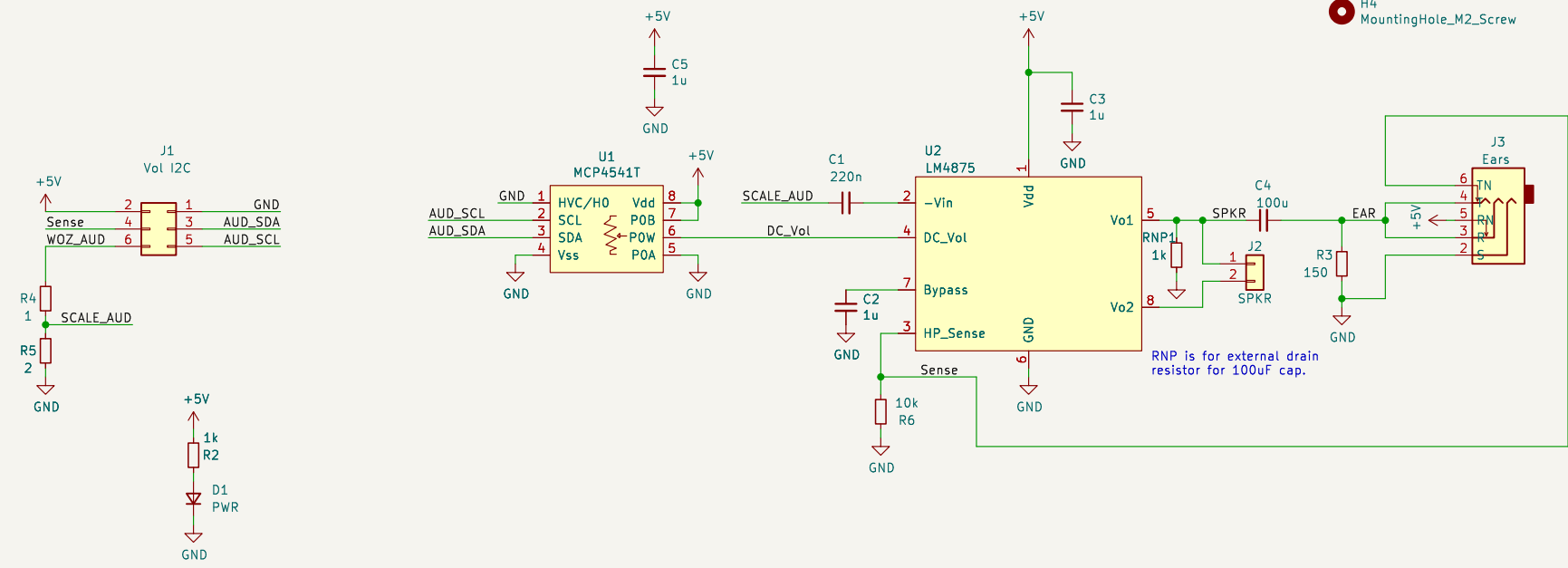




- H1 MountingHole\_M2\_Screw
- H2 MountingHole\_M2\_Screw
- H3 MountingHole\_M2\_Screw
- H4 MountingHole\_M2\_Screw



54-00177 and 54-00178 seem similar functionality. Originally I ordered the '8 but seemingly designed to '7's pinout.

Is the '7 the same as the '8 the "default" symbol in Kicad?

Sheet: /	
File: gd audio proto pcb.kicad_sch	
<b>Title:</b>	
Size: A4	Date:
KiCad E.D.A. 9.0.0	Rev: Id: 1/1