

twitch.tv/baldengineer

Sheet: /neg12/

File: neg12.kicad_sch

Title: GD Power Supply Prototype

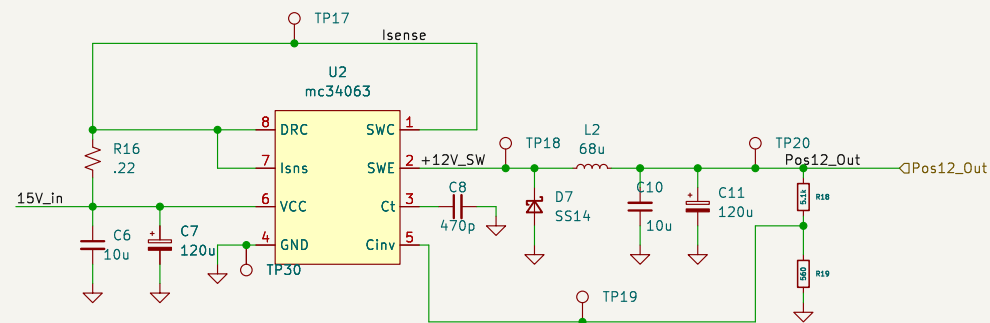
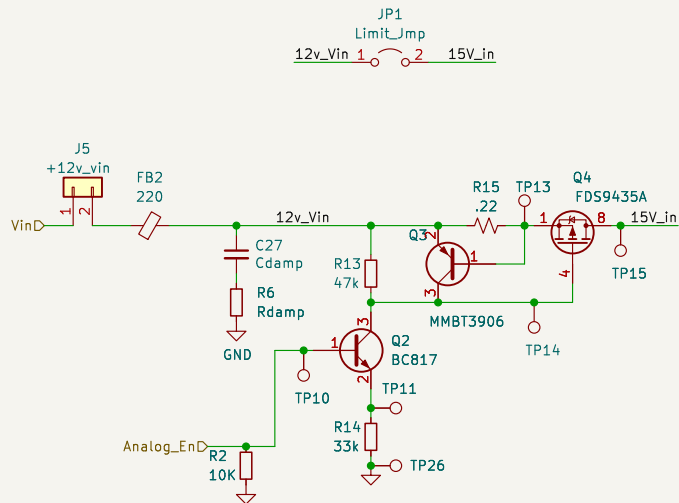
Size: A4

Date: 2022-05-16

Rev: Rev 2

KiCad E.D.A. 9.0.0

Id: 2/5



twitch.tv/baldengineer

Sheet: /pos12/
File: pos12.kicad_sch

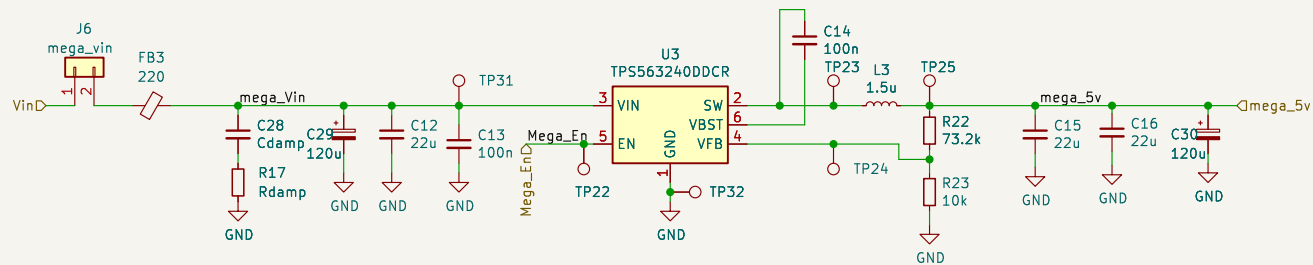
Title: GD Power Supply Prototype

Size: A4 Date: 2022-05-16

KiCad E.D.A. 9.0.0

Rev: Rev 2

Id: 3/5



twitch.tv/baldengineer

Sheet: /mega5v/

File: mega5v.kicad_sch

Title: GD Power Supply Prototype

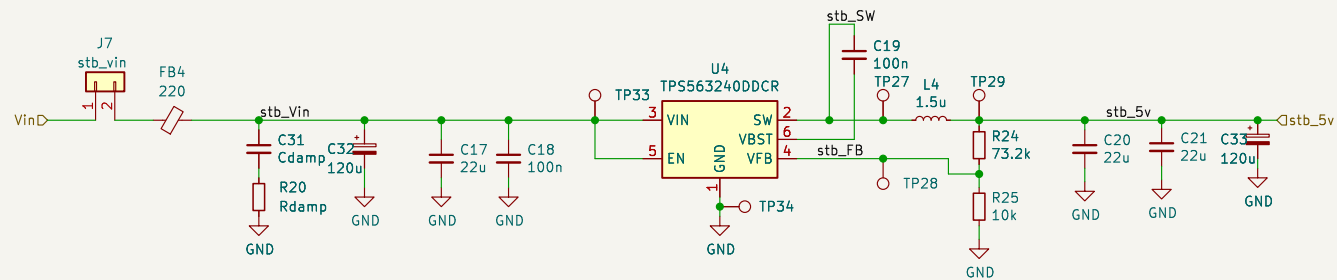
Size: A4

Date: 2022-05-16

Rev: Rev 2

KiCad E.D.A. 9.0.0

Id: 4/5



twitch.tv/baldengineer

Sheet: /stb_5v/

File: stb_5v.kicad_sch

Title: GD Power Supply Prototype

Size: A4

Date: 2022-05-16

Rev: Rev 2

KiCad E.D.A. 9.0.0

Id: 5/5