

twitch.tv/baldengineer

Sheet: /

File: rp2040-keyboard.kicad_sch

Game I/O Rev 3 PCB

Date: 2023-10-19

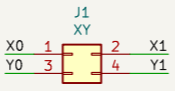
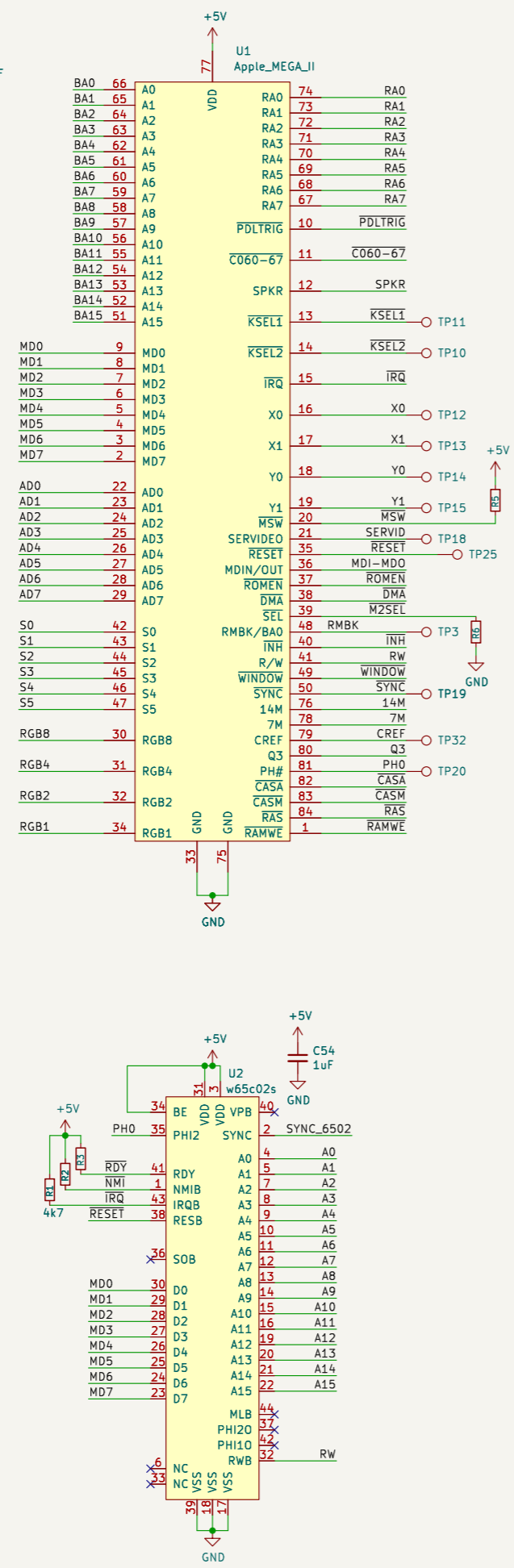
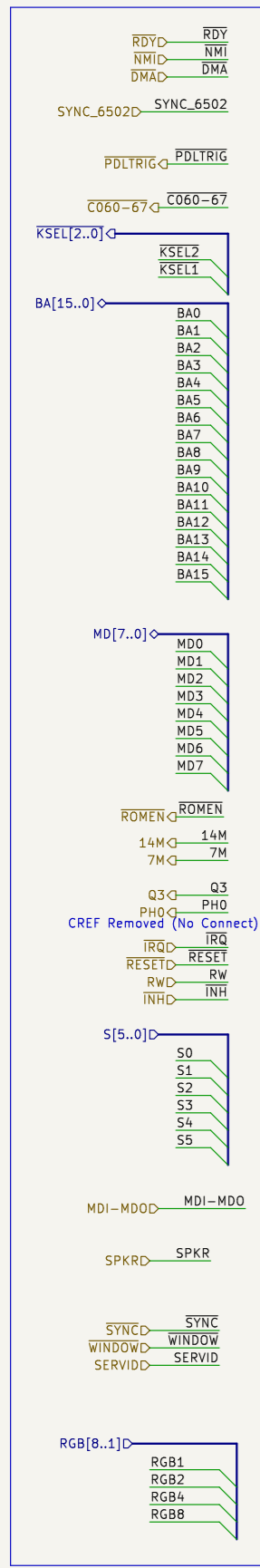
Rev: 3b

decoder
 >ROMEN
 >BA[15..0]

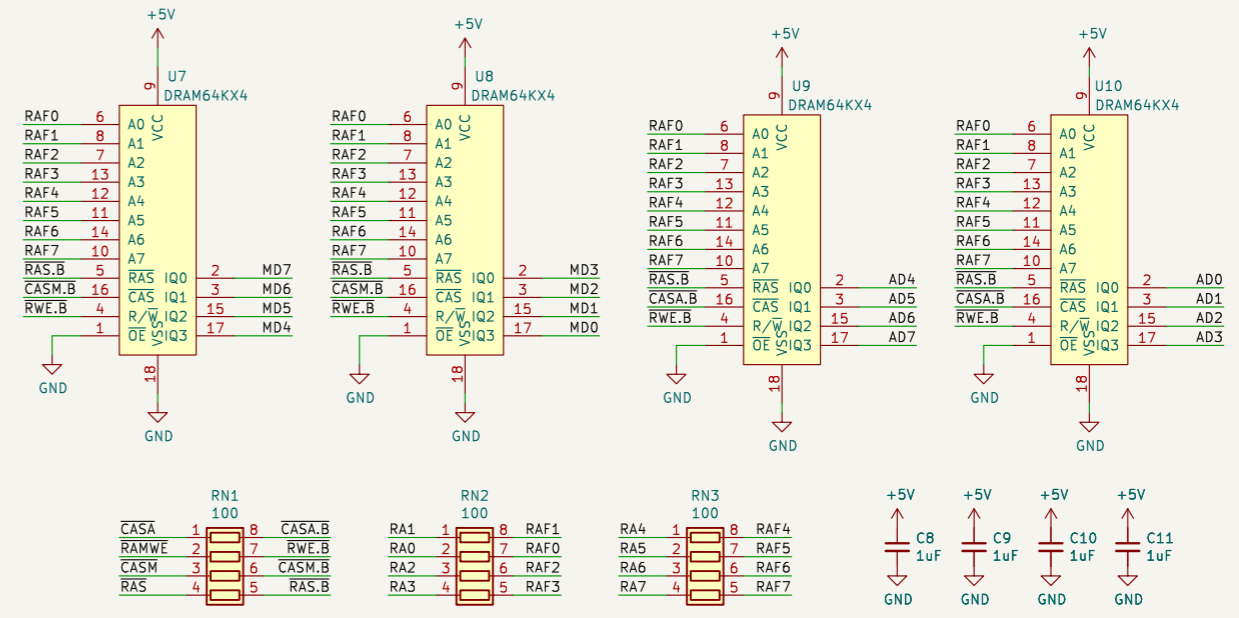
File: decoder.kicad_sch

KiCad E.D.A. 9.0.0

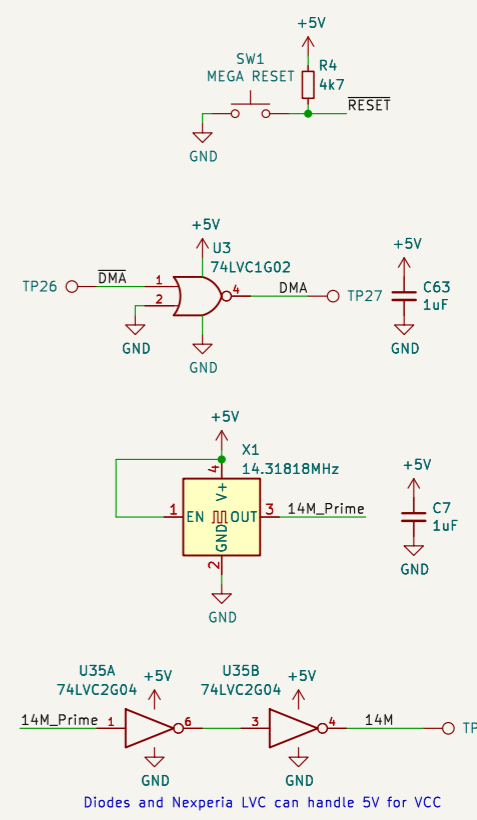
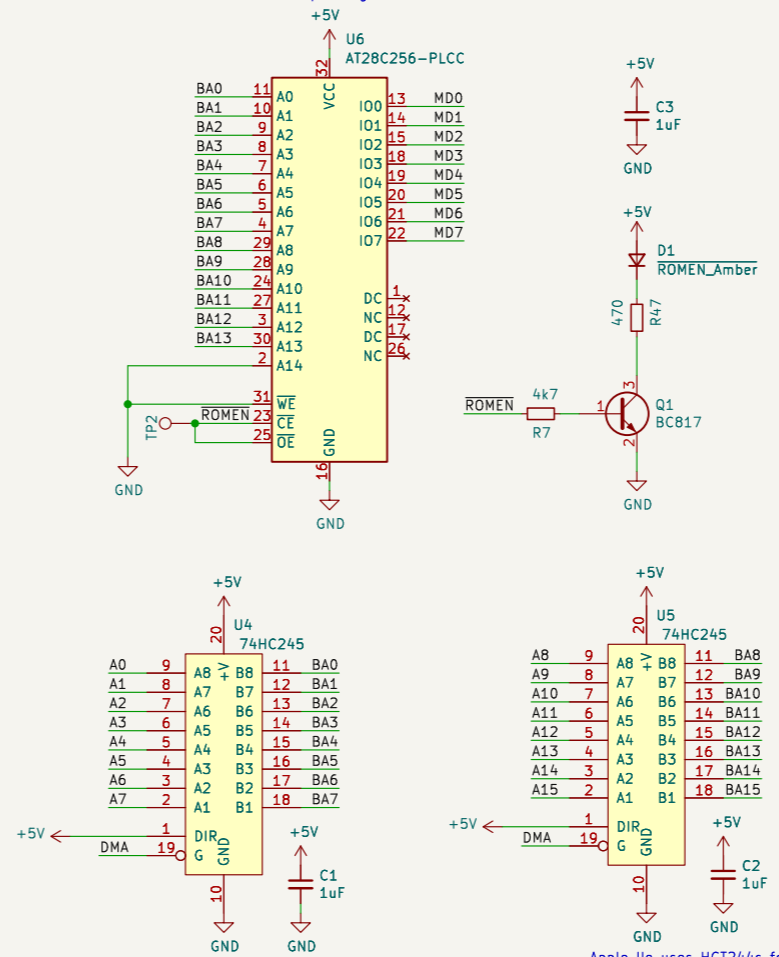
Id: 1/10



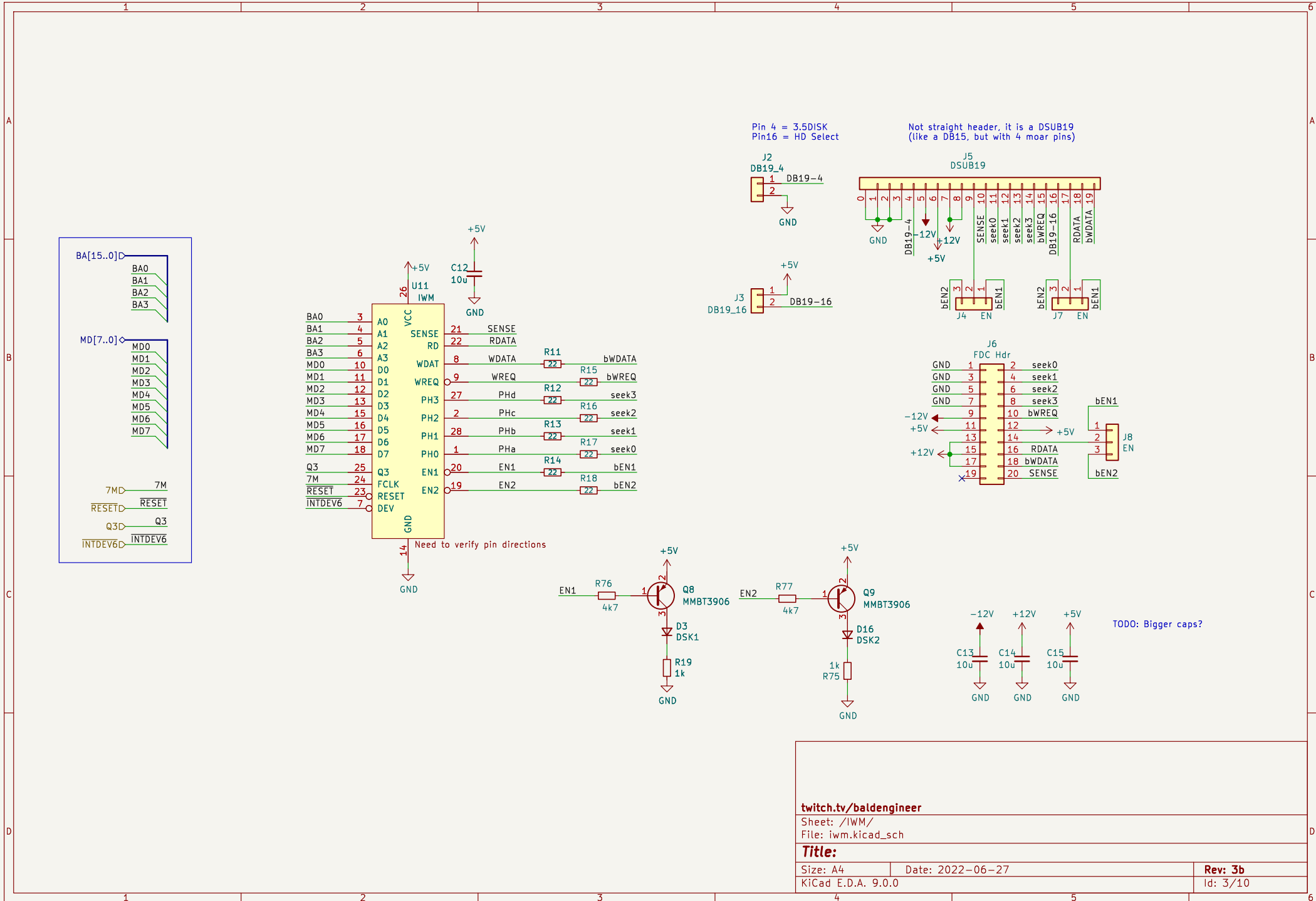
MDx is re-ordered from 65c02 Mega Board (Rev2)

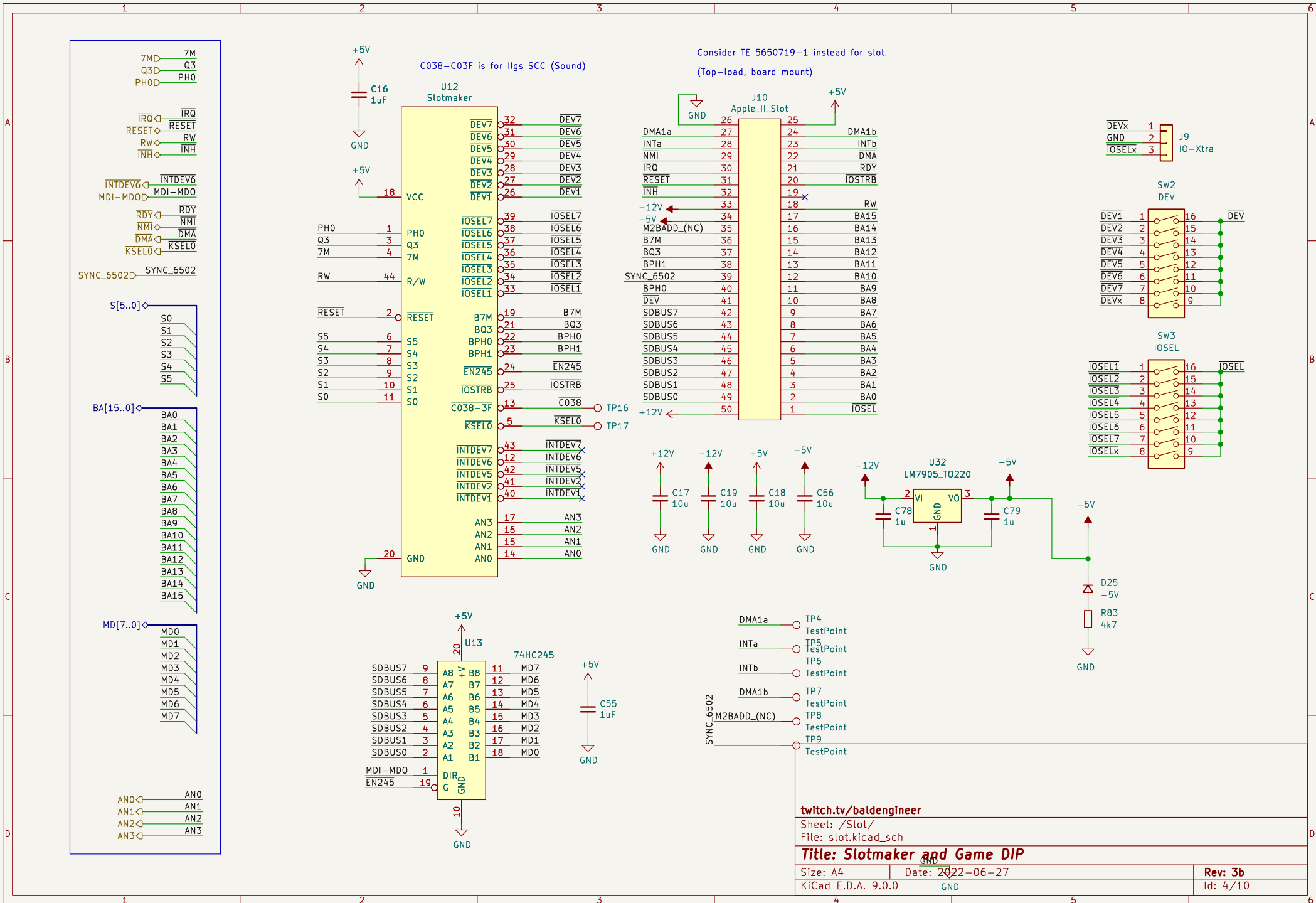


This might not be the right ROM symbol. PCB is complaining



- H1
- H2
- H3
- H4
- H5
- H6
- H7





twitch.tv/baldengineer

Sheet: /Slot/
 File: slot.kicad_sch

Title: Slotmaker and Game DIP

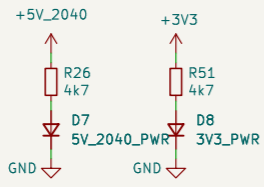
Size: A4 Date: 2022-06-27

KiCad E.D.A. 9.0.0

GND

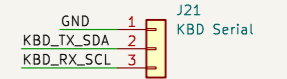
Rev: 3b

Id: 4/10

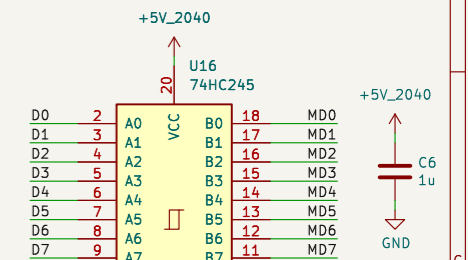
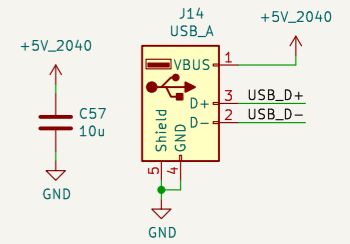


Change to 3 pin for console cable?

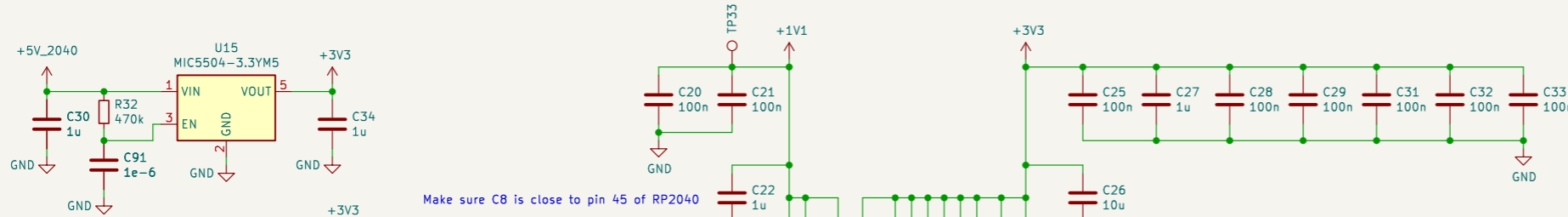
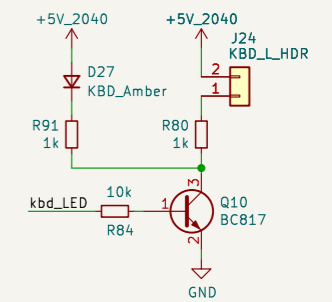
IOs



KBD USB IN



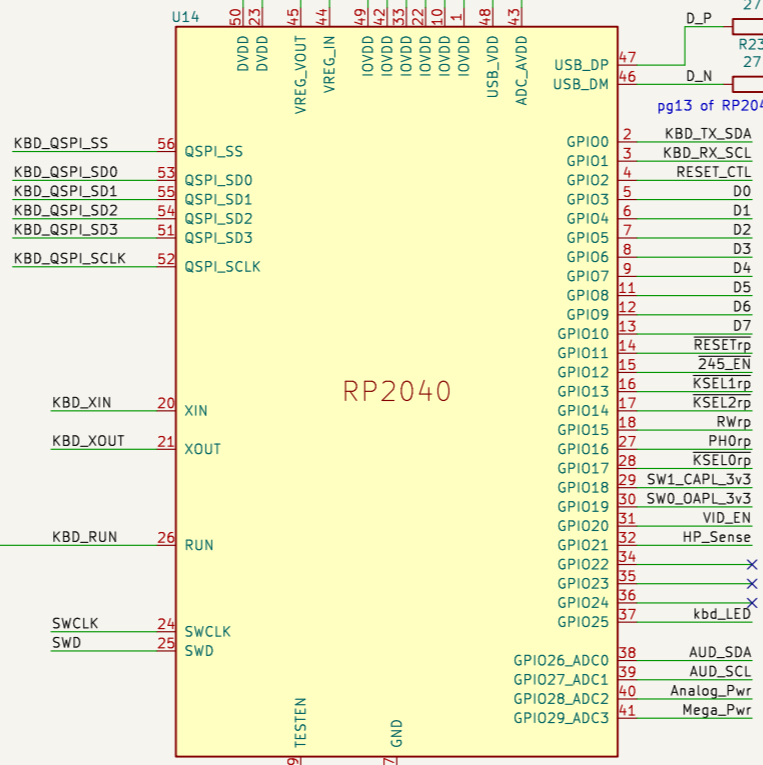
Is KBD2040 rev3 driving the enable signal?



Flash

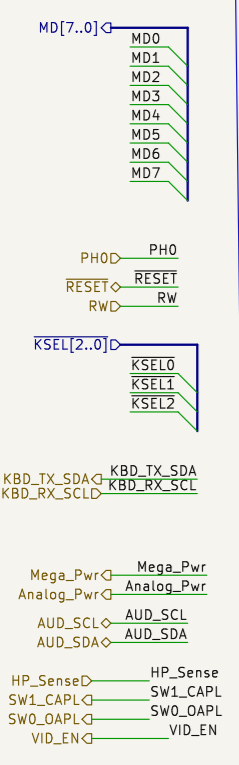
Make sure C8 is close to pin 45 of RP2040

Consider smaller package (and on VGA2040)

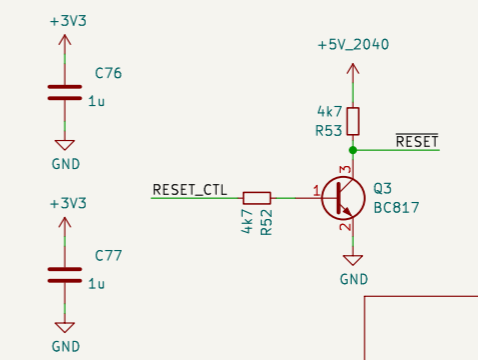
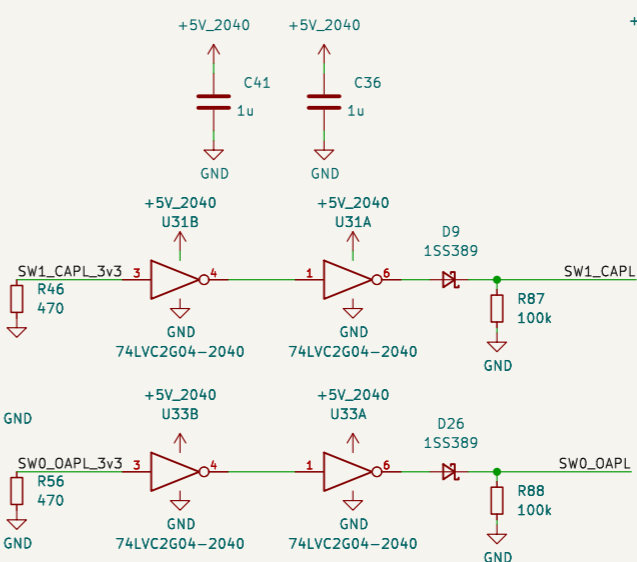
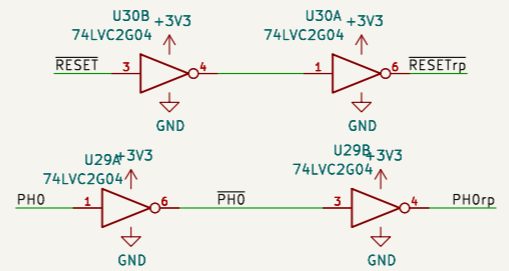
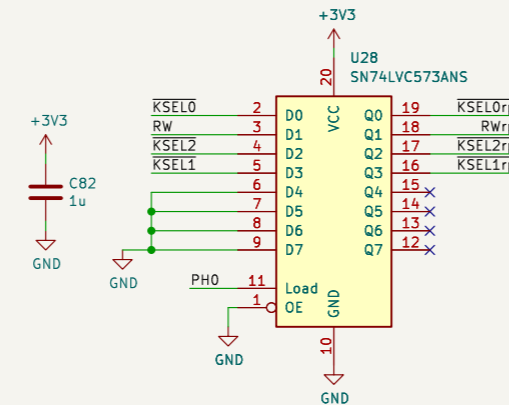
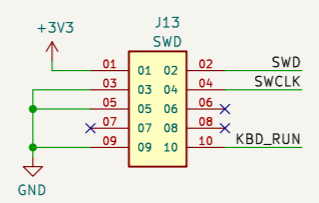
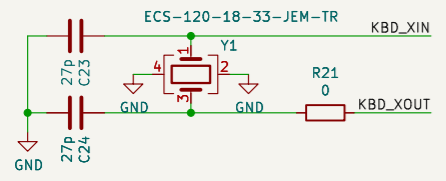


pg13 of RP2040 datasheet has GPIO table

RP2040

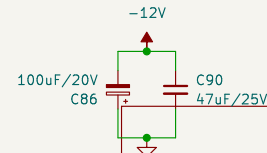
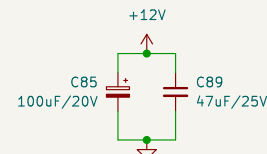
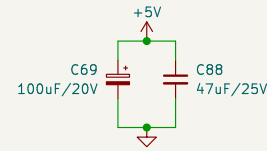
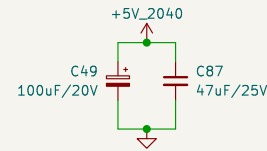
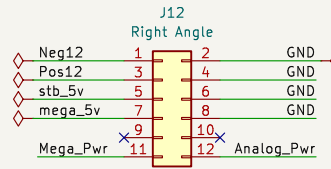


Crystal

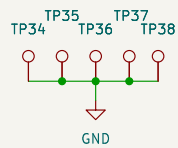
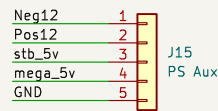
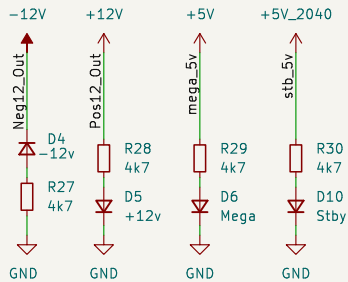
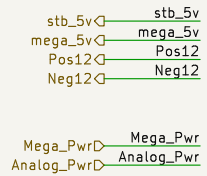


Change to SMD Package (if you can buy it)

TODD: Add filtering and some lytics.



Change PWR Control Signals to Match Mega_EN Analog_EN



twitch.tv/baldengineer

Sheet: /power/
File: power.kicad_sch

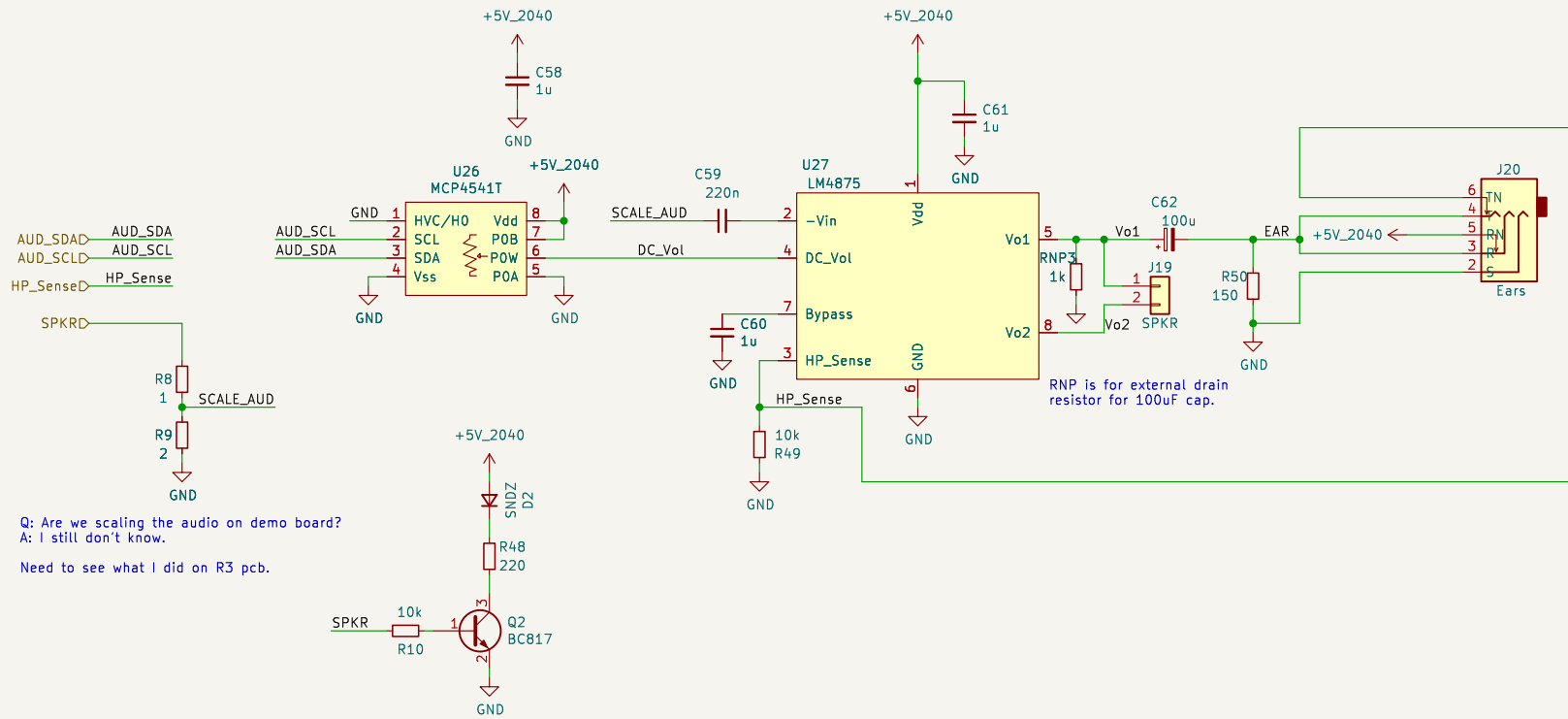
Title:

Size: A4 Date: 2022-06-27

KiCad E.D.A. 9.0.0

Rev: 3b

Id: 6/10



54-00177 and 54-00178 seem to have similar functionality. Originally I ordered the '8 but seemingly designed to '7's pinout.
Is the '7 the same as the "default" symbol in Kicad?

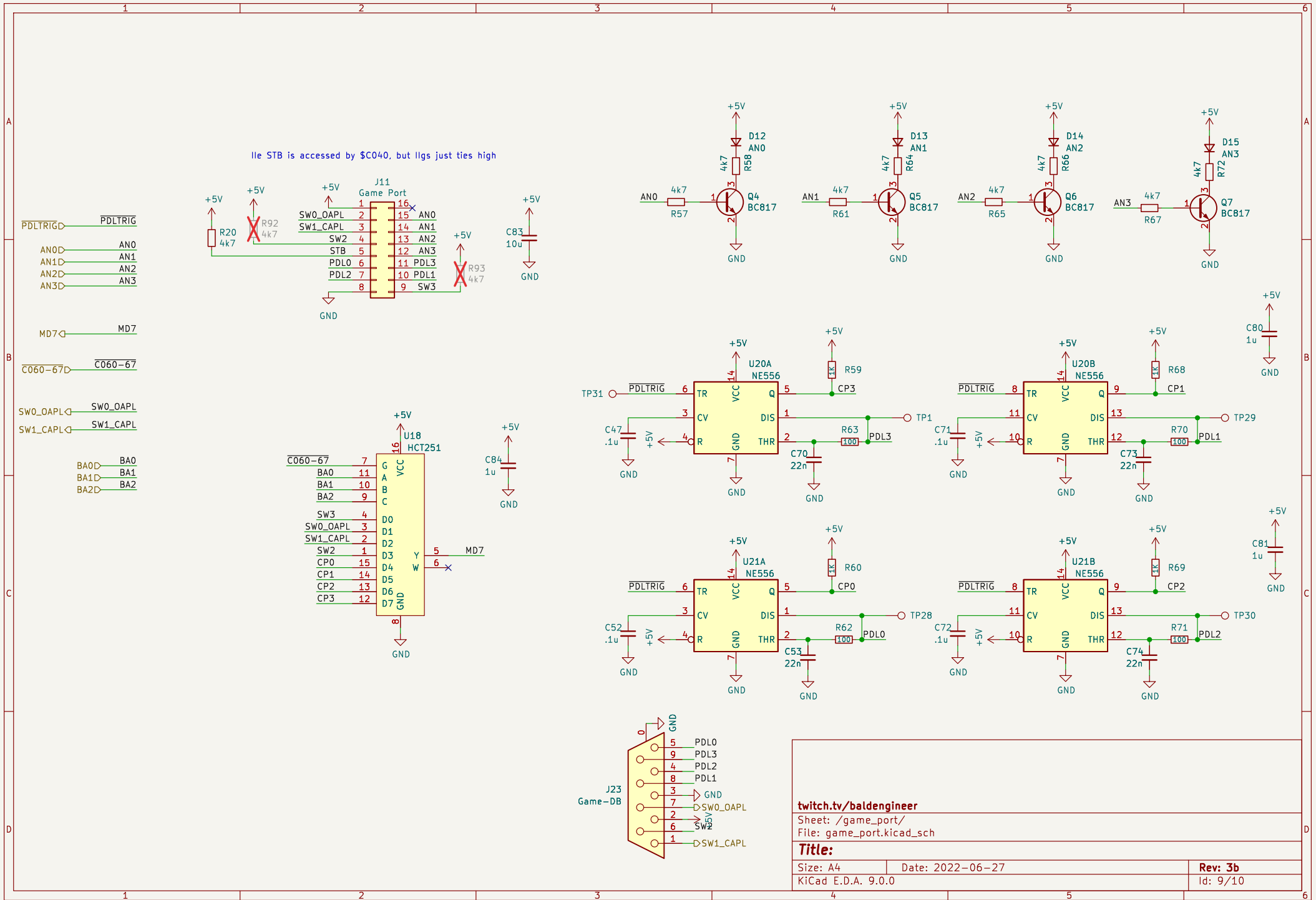
Q: Are we scaling the audio on demo board?
A: I still don't know.
Need to see what I did on R3 pcb.

twitch.tv/baldengineer

Sheet: /Audio/
File: Audio.kicad_sch

Title: Audio

Size: A4	Date: 2022-06-27	Rev: 3b
KiCad E.D.A. 9.0.0		Id: 8/10



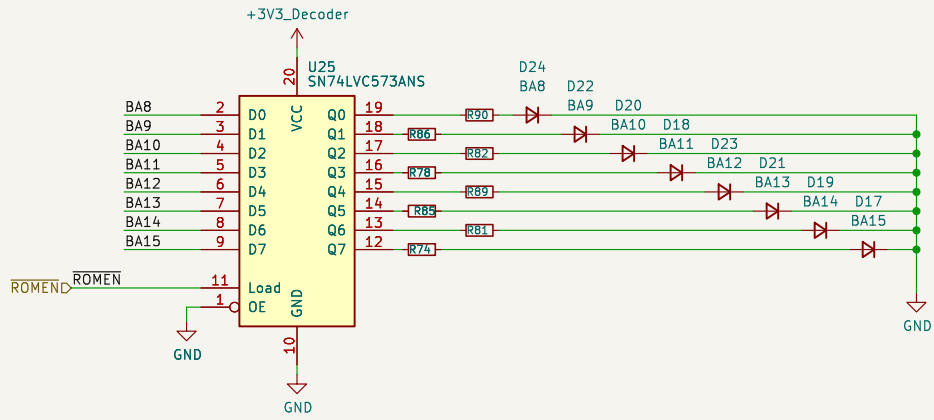
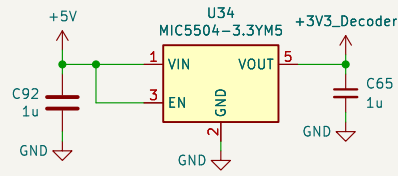
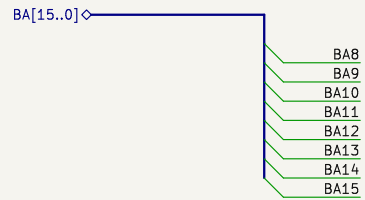
twitch.tv/baldengineer

Sheet: /game_port/
File: game_port.kicad_sch

Title:

Size: A4 Date: 2022-06-27
KiCad E.D.A. 9.0.0

Rev: 3b
Id: 9/10



twitch.tv/baldengineer	
Sheet: /decoder/ File: decoder.kicad_sch	
Title:	
Size: A4	Date: 2022-06-27
KiCad E.D.A. 9.0.0	Rev: 3b Id: 10/10