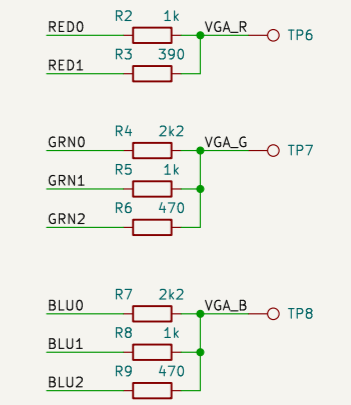
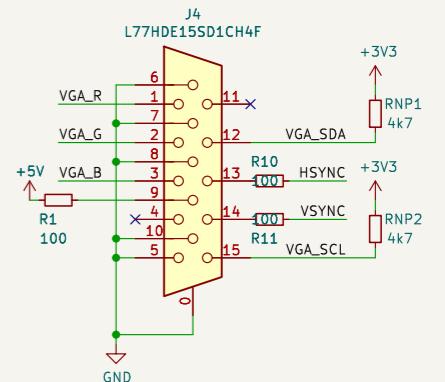


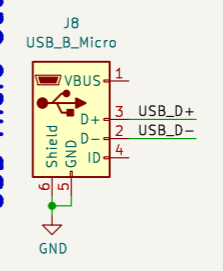
**VGA 'DAC'**



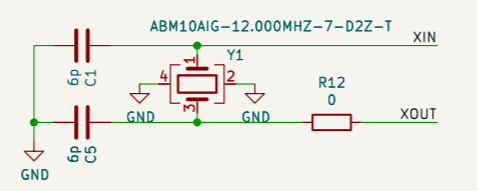
**VGA**



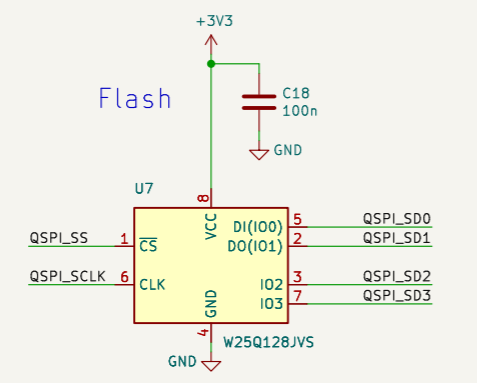
**USB Micro Out**



**Crystal**



**Flash**



twitch.tv/baldengineer

Sheet: /  
File: gd vga pico proto pcb.kicad\_sch

**Title: VGA PiCo Proto**

Size: A3 Date: 2022-02-20  
KiCad E.D.A. 9.0.0

Rev: 1  
Id: 1/1

gd vga rp2040 proto rev 1, 2022-02-20 @baldengineer