

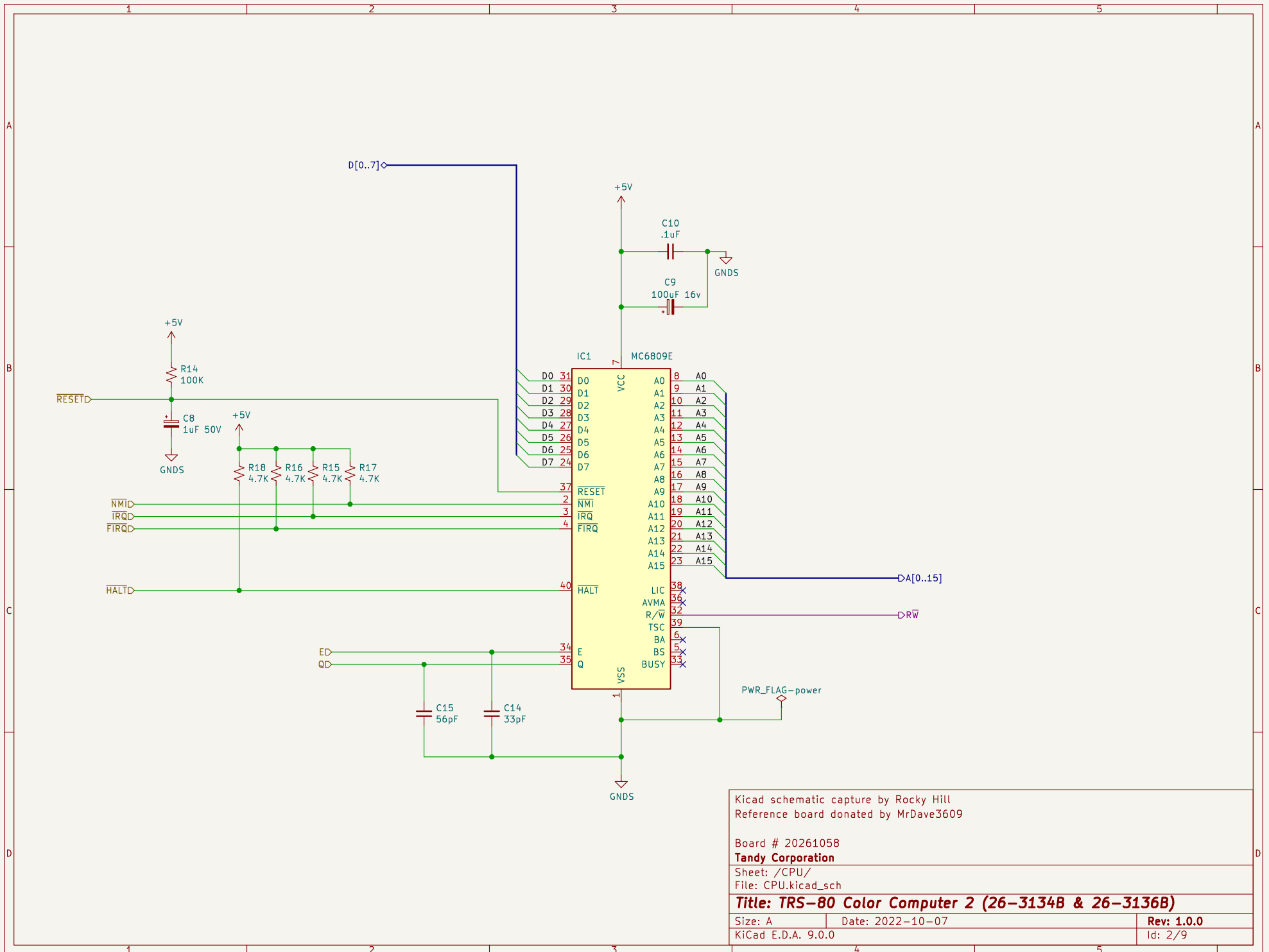
Captured from the Apple II Reference Manual (1979)

Sheet: /
File: AppII+.kicad_sch

Title: Apple II+ Schematic

Size: A3 Date:
KiCad E.D.A. 9.0.0

Rev: 0
Id: 1/9



Kicad schematic capture by Rocky Hill
 Reference board donated by MrDave3609

Board # 20261058

Tandy Corporation

Sheet: /CPU/

File: CPU.kicad_sch

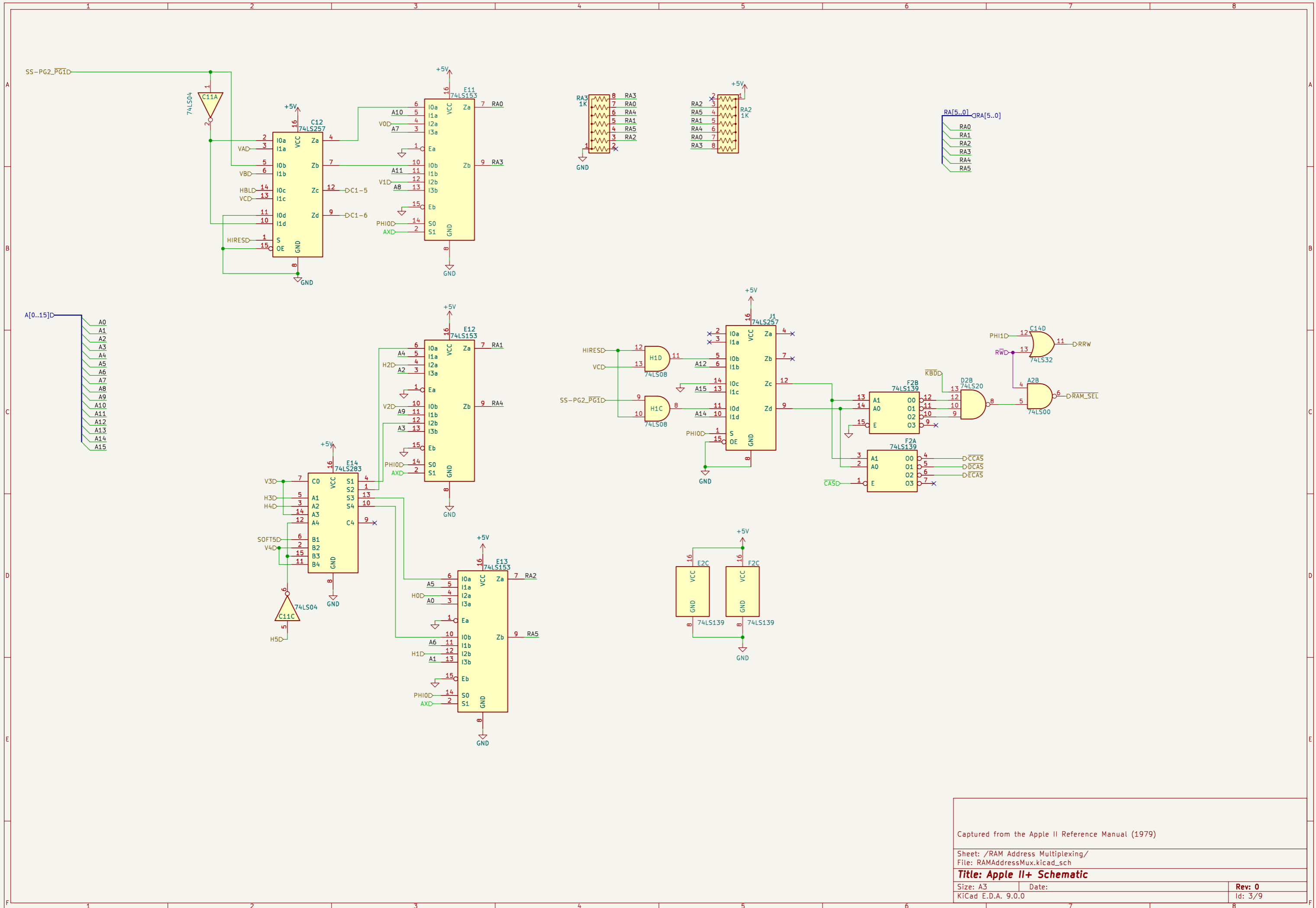
Title: TRS-80 Color Computer 2 (26-3134B & 26-3136B)

Size: A Date: 2022-10-07

Rev: 1.0.0

KiCad E.D.A. 9.0.0

Id: 2/9

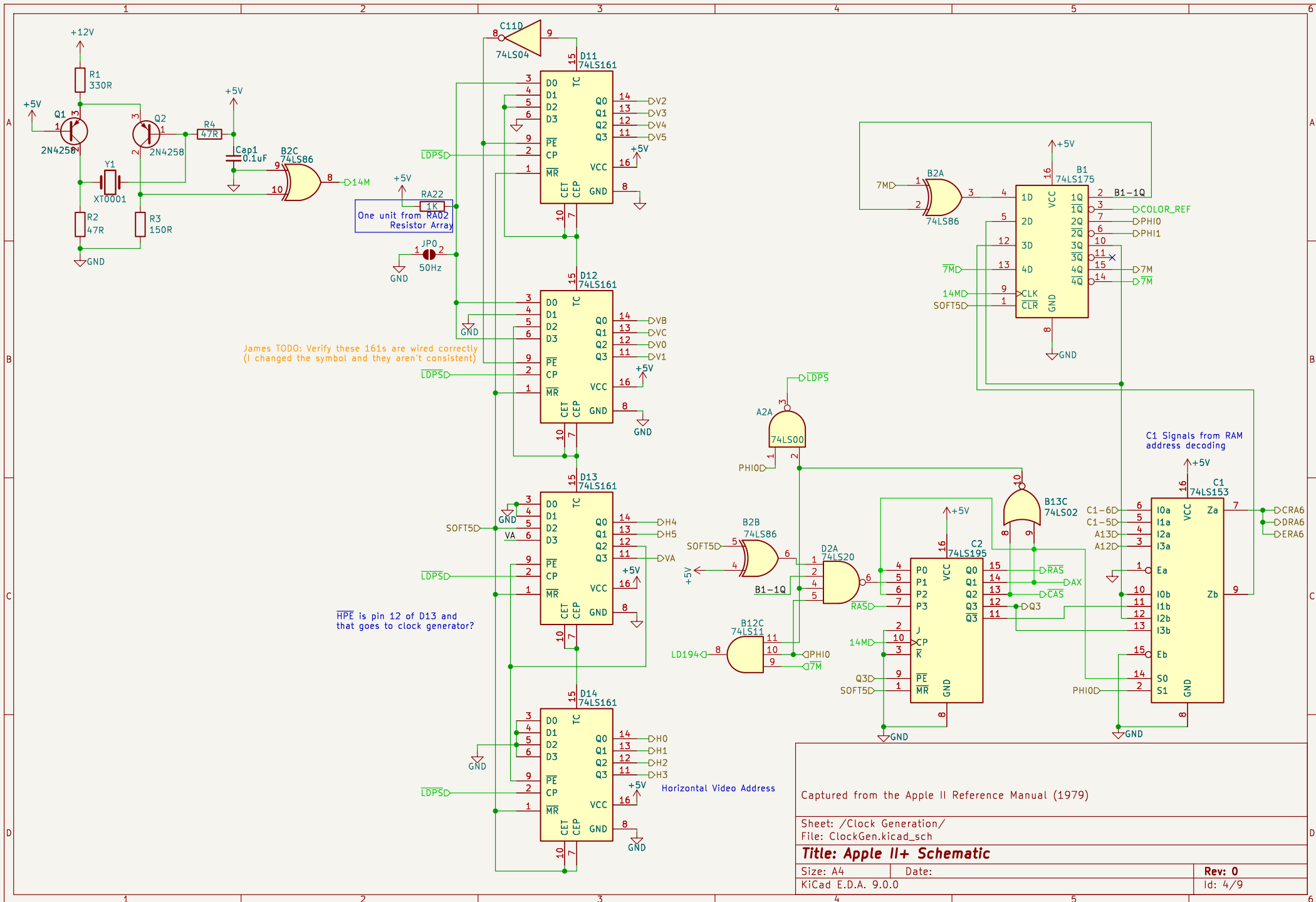


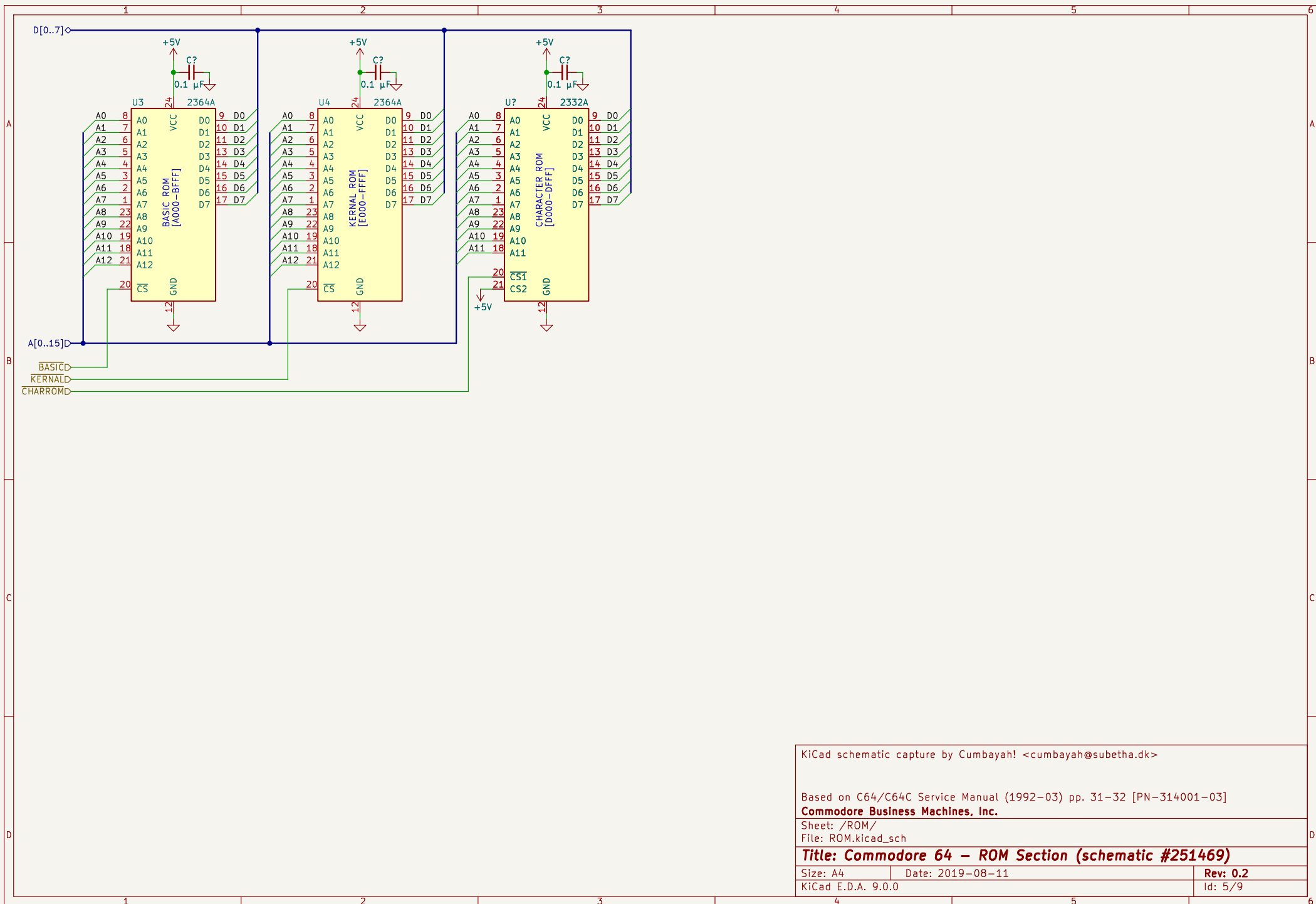
Captured from the Apple II Reference Manual (1979)

Sheet: /RAM Address Multiplexing/
File: RAMAddressMux.kicad_sch

Title: Apple II+ Schematic

Size: A3	Date:	Rev: 0
KiCad E.D.A. 9.0.0	Id: 3/9	





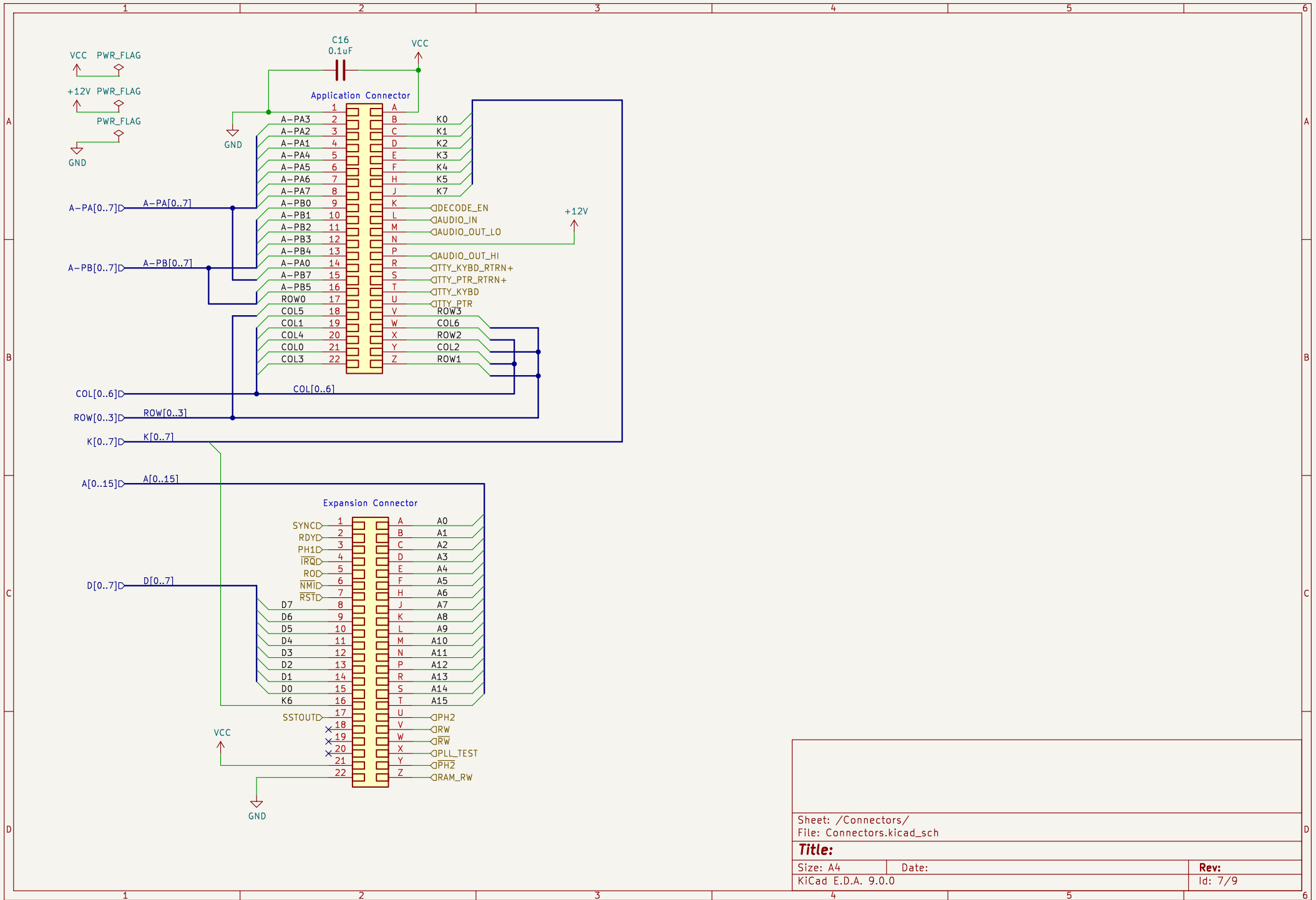
KiCad schematic capture by Cumbayah! <cumbayah@subetha.dk>

Based on C64/C64C Service Manual (1992-03) pp. 31-32 [PN-314001-03]
Commodore Business Machines, Inc.

Sheet: /ROM/
File: ROM.kicad_sch

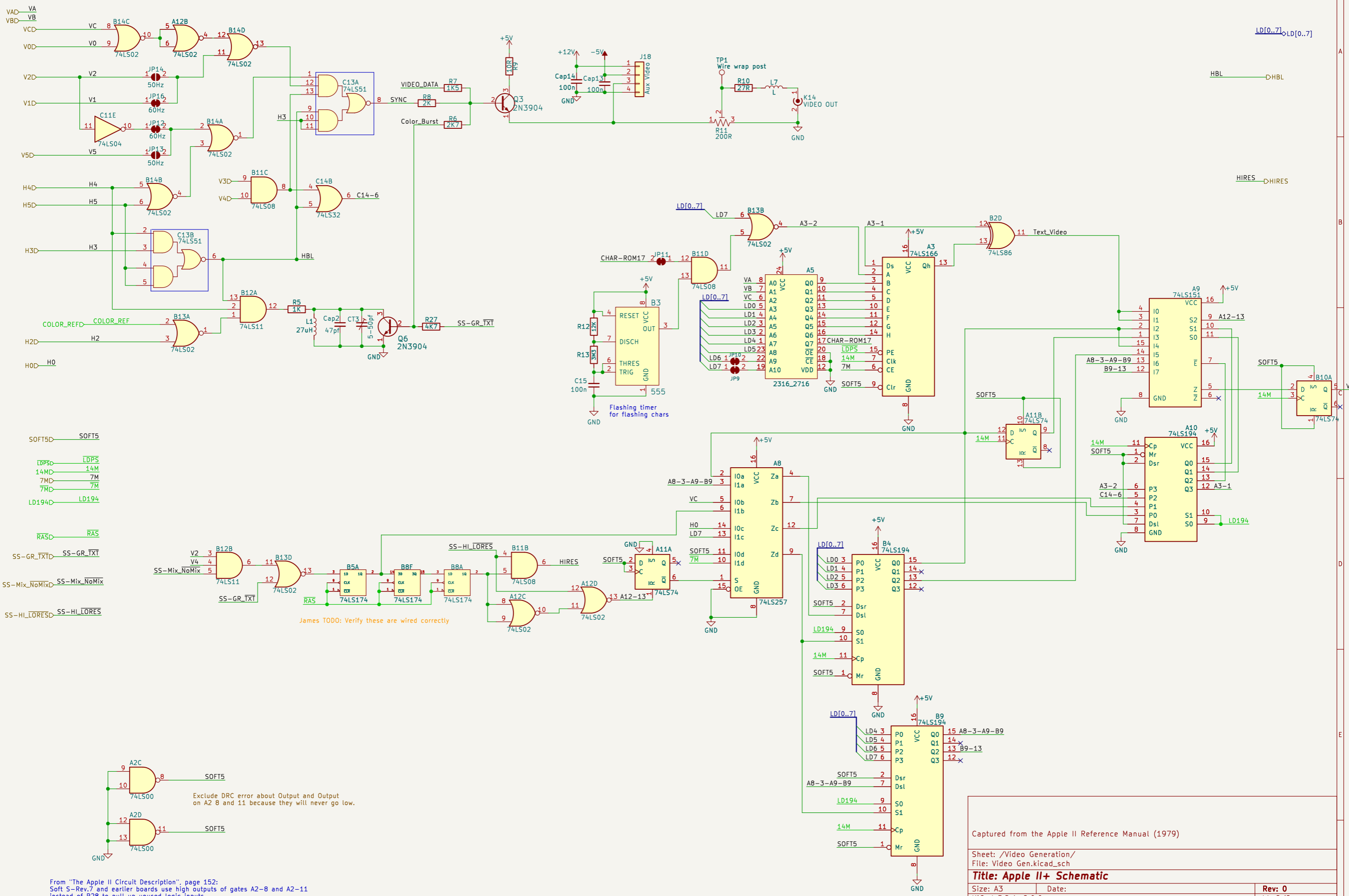
Title: Commodore 64 - ROM Section (schematic #251469)

Size: A4	Date: 2019-08-11	Rev: 0.2
KiCad E.D.A. 9.0.0		Id: 5/9

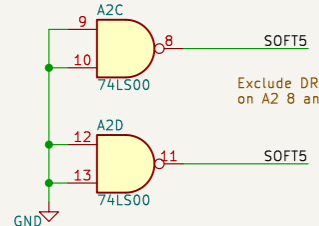


Sheet: /Connectors/		Rev:	
File: Connectors.kicad_sch		Id: 7/9	
Size: A4	Date:		
KiCad E.D.A. 9.0.0			

Why isn't there an H1 here?

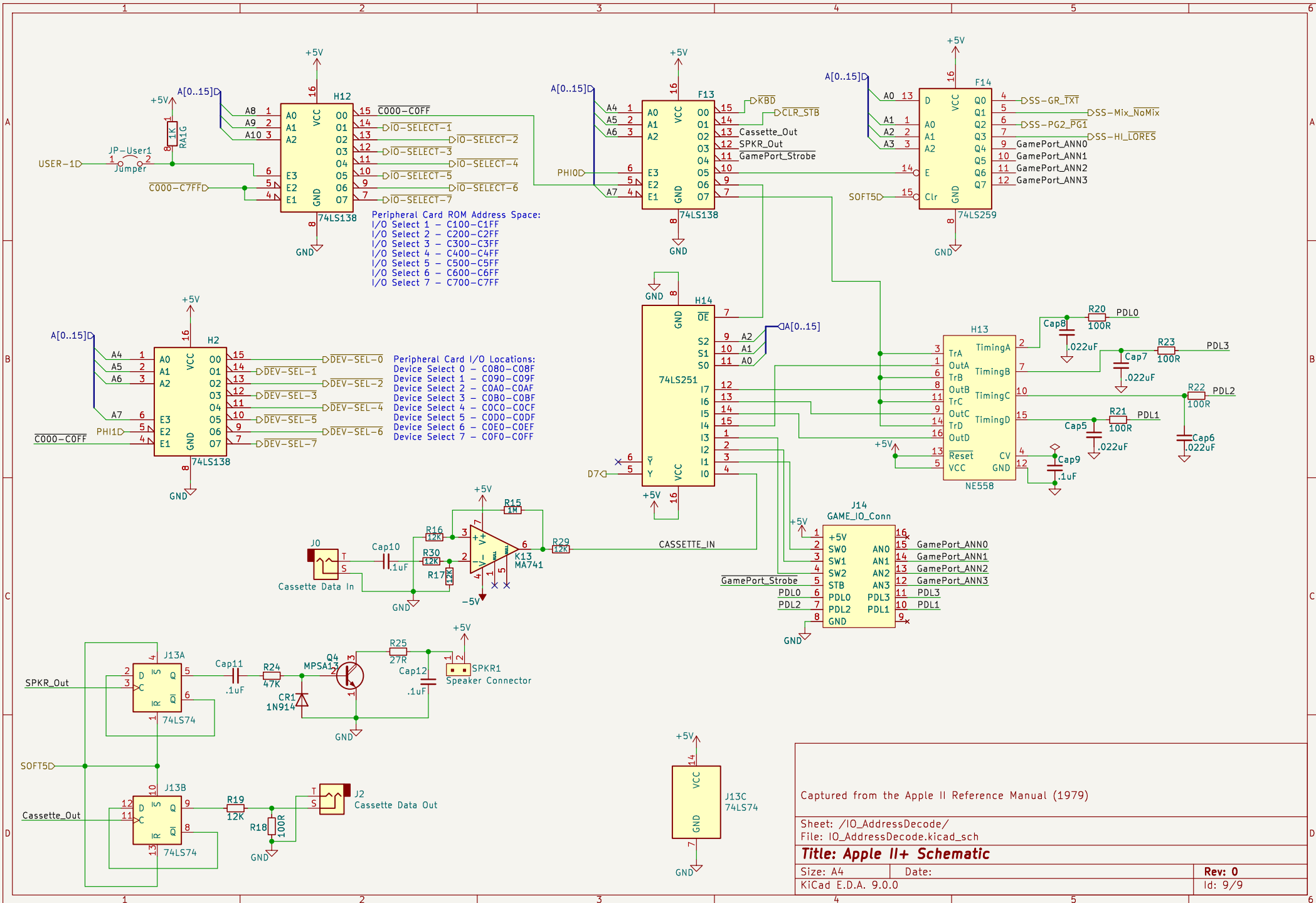


James TODO: Verify these are wired correctly



Exclude DRC error about Output and Output on A2 8 and 11 because they will never go low.

From "The Apple II Circuit Description", page 152:
Soft S-Rev.7 and earlier boards use high outputs of gates A2-8 and A2-11 instead of R28 to pull up unused logic inputs



Captured from the Apple II Reference Manual (1979)

Sheet: /IO_AddressDecode/	
File: IO_AddressDecode.kicad_sch	
Title: Apple II+ Schematic	
Size: A4	Date:
KiCad E.D.A. 9.0.0	Rev: 0
	Id: 9/9