

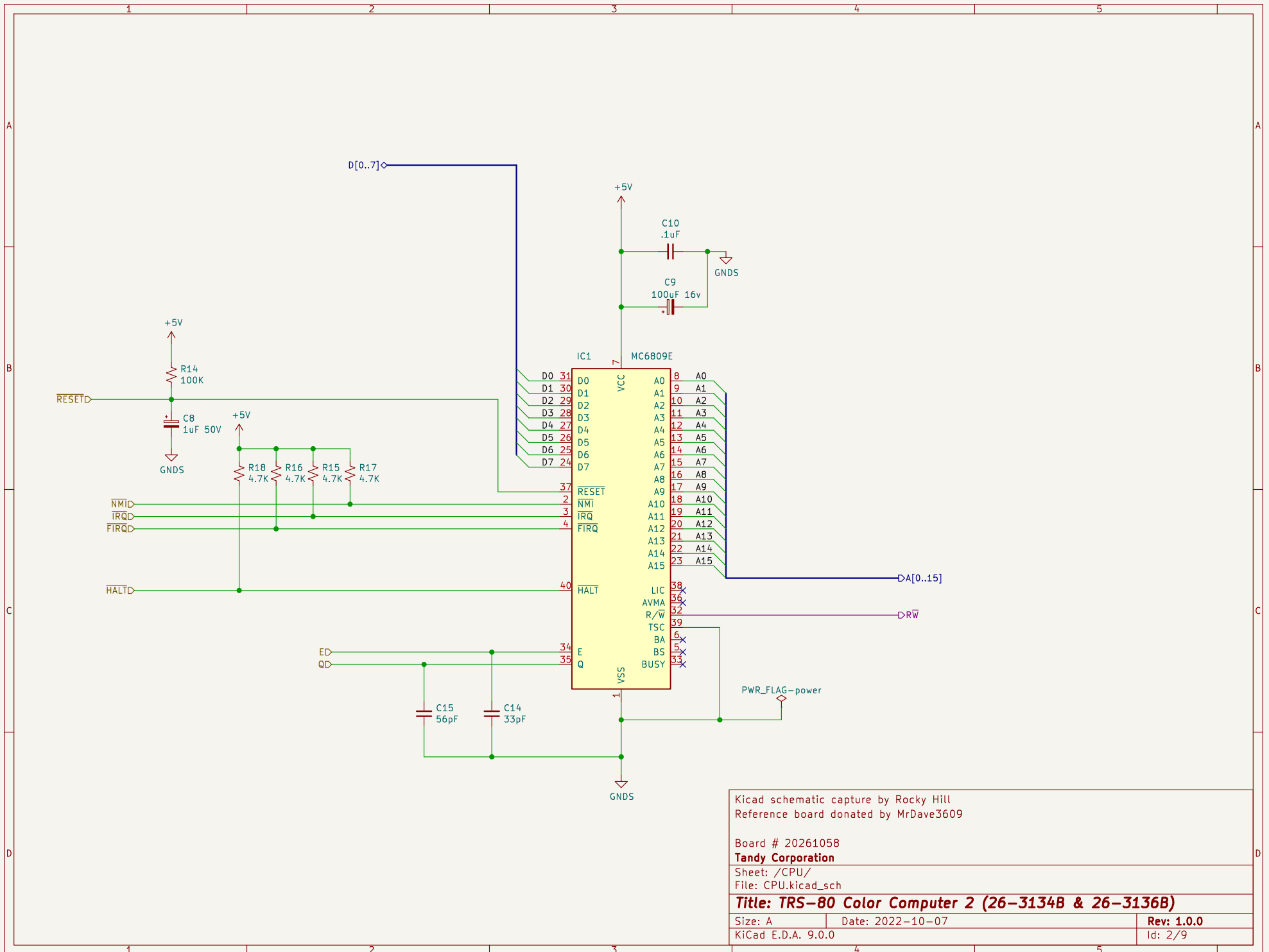
Captured from the Apple II Reference Manual (1979)

Sheet: /  
File: AppII+.kicad\_sch

**Title: Apple II+ Schematic**

Size: A3 Date:  
KiCad E.D.A. 9.0.0

Rev: 0  
Id: 1/9



Kicad schematic capture by Rocky Hill  
Reference board donated by MrDave3609

Board # 20261058

**Tandy Corporation**

Sheet: /CPU/

File: CPU.kicad\_sch

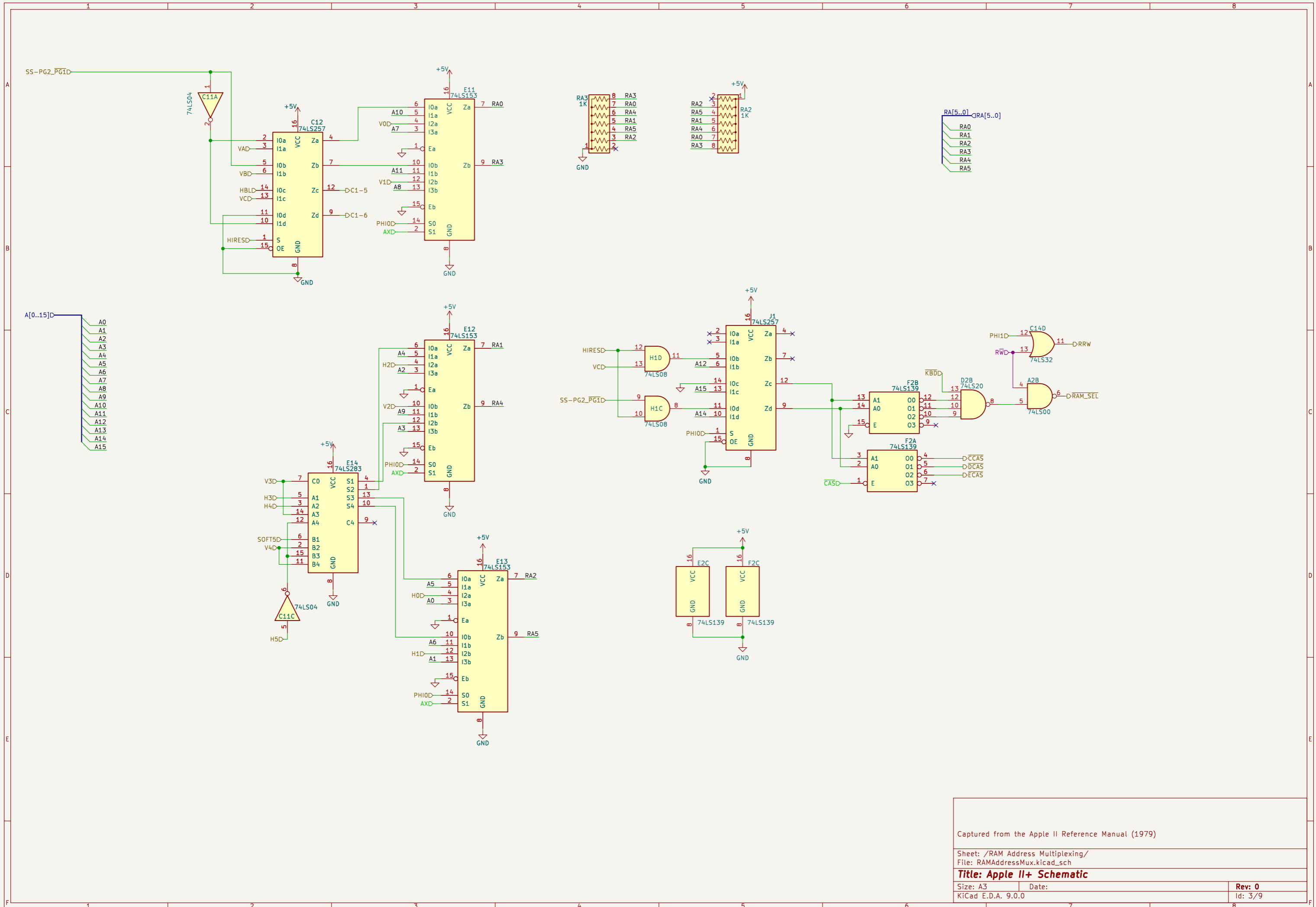
**Title: TRS-80 Color Computer 2 (26-3134B & 26-3136B)**

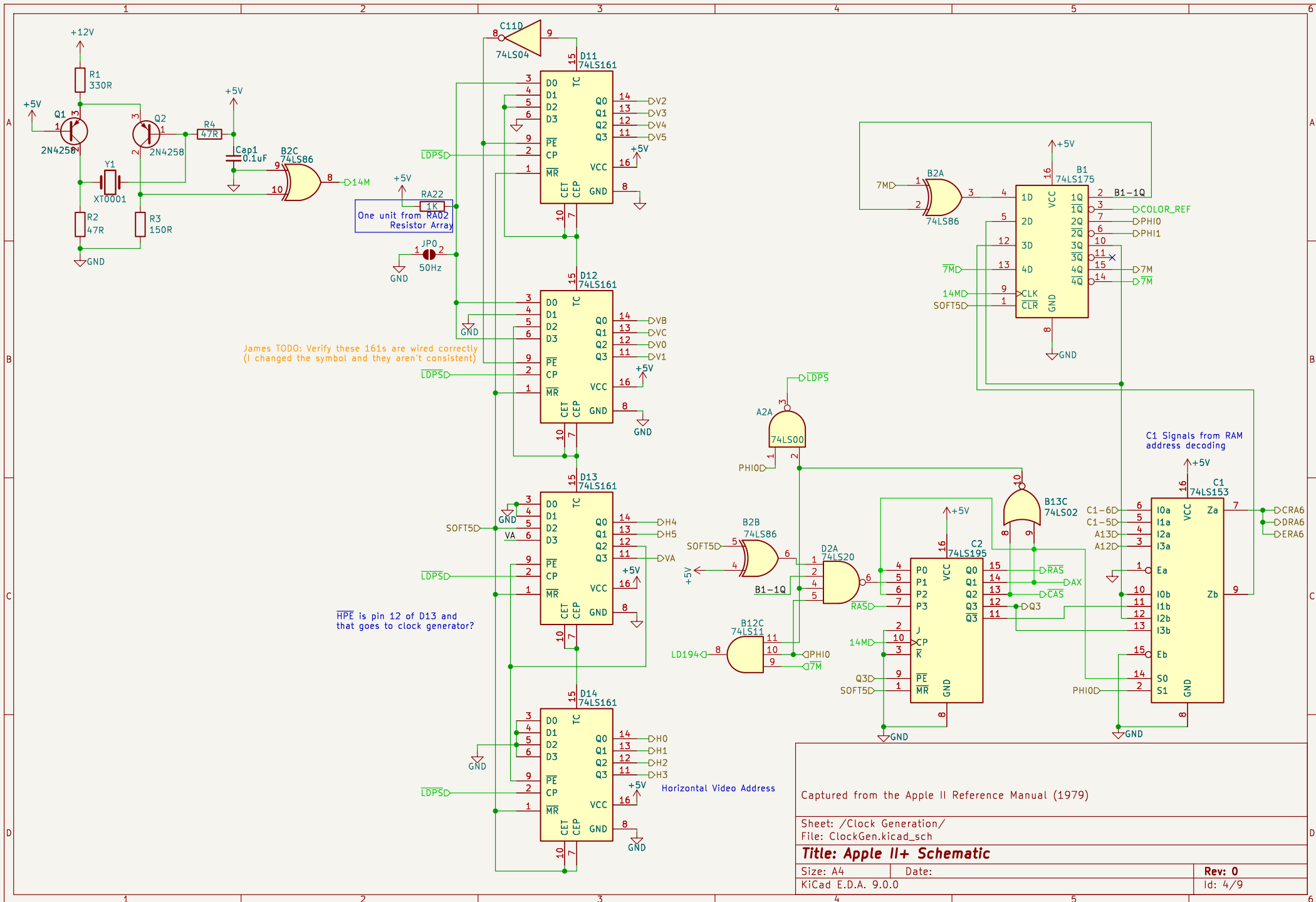
Size: A Date: 2022-10-07

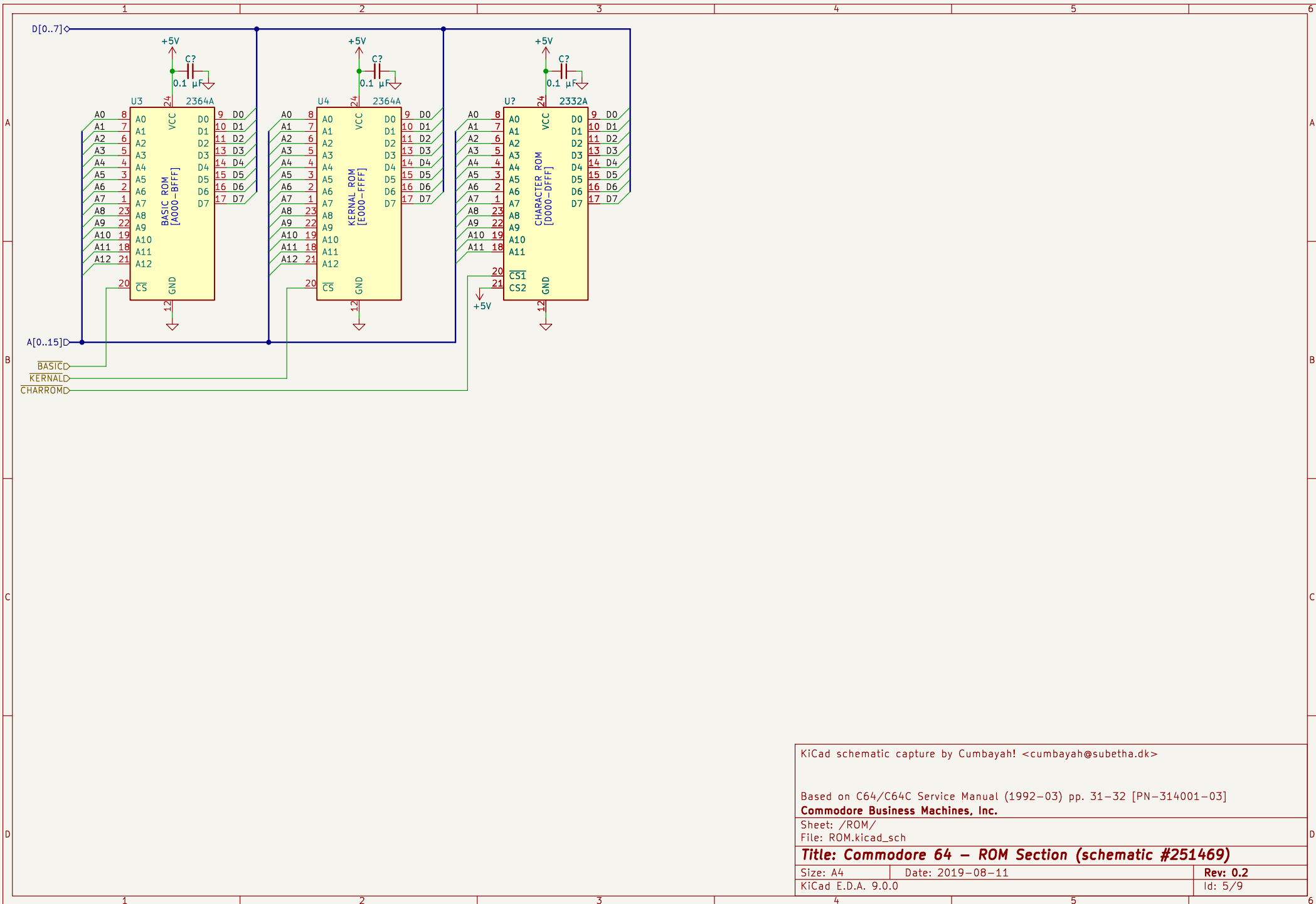
Rev: 1.0.0

KiCad E.D.A. 9.0.0

Id: 2/9







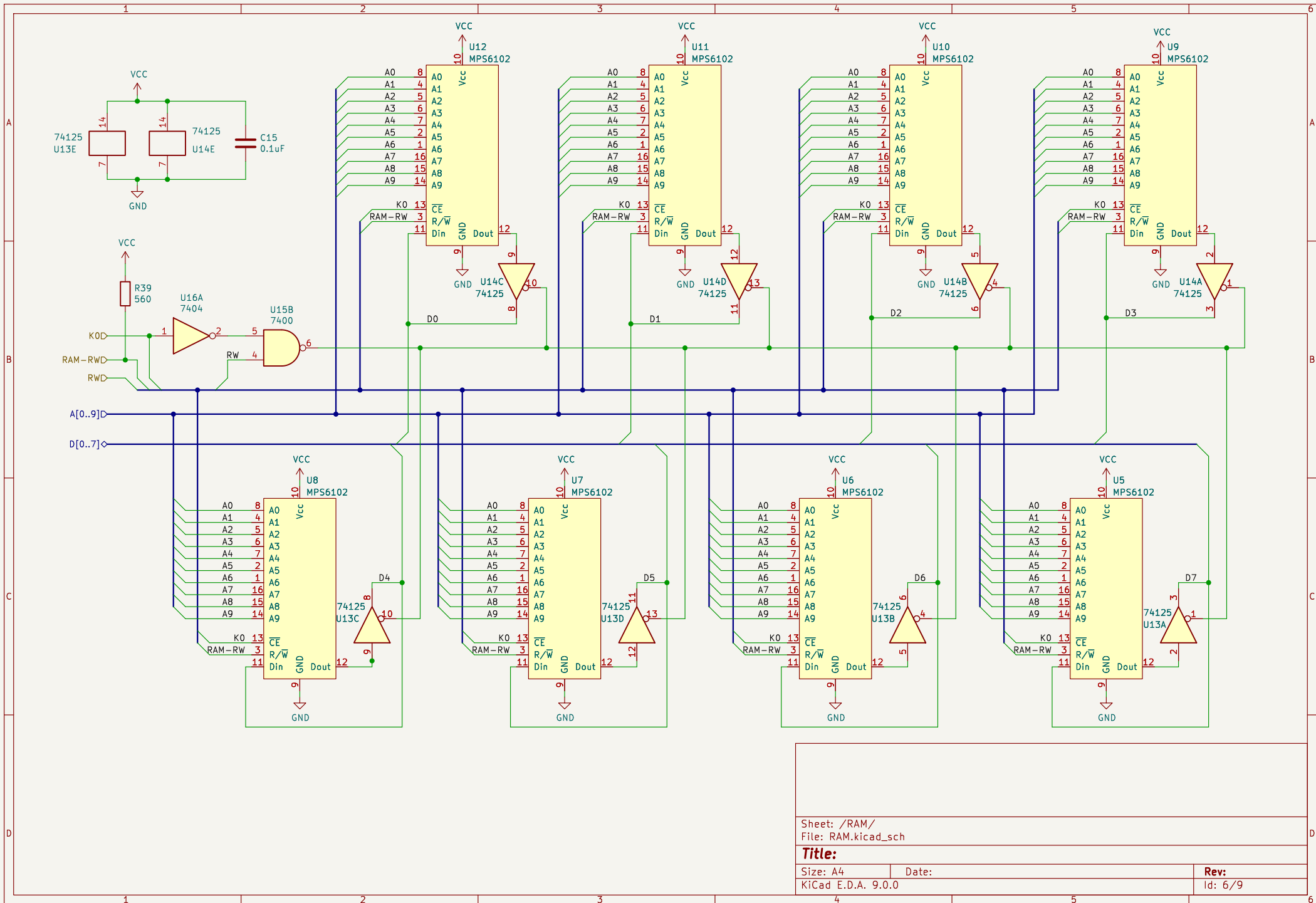
KiCad schematic capture by Cumbayah! <cumbayah@subetha.dk>

Based on C64/C64C Service Manual (1992-03) pp. 31-32 [PN-314001-03]  
**Commodore Business Machines, Inc.**

Sheet: /ROM/  
 File: ROM.kicad\_sch

**Title: Commodore 64 - ROM Section (schematic #251469)**

Size: A4	Date: 2019-08-11	Rev: 0.2
KiCad E.D.A. 9.0.0		Id: 5/9



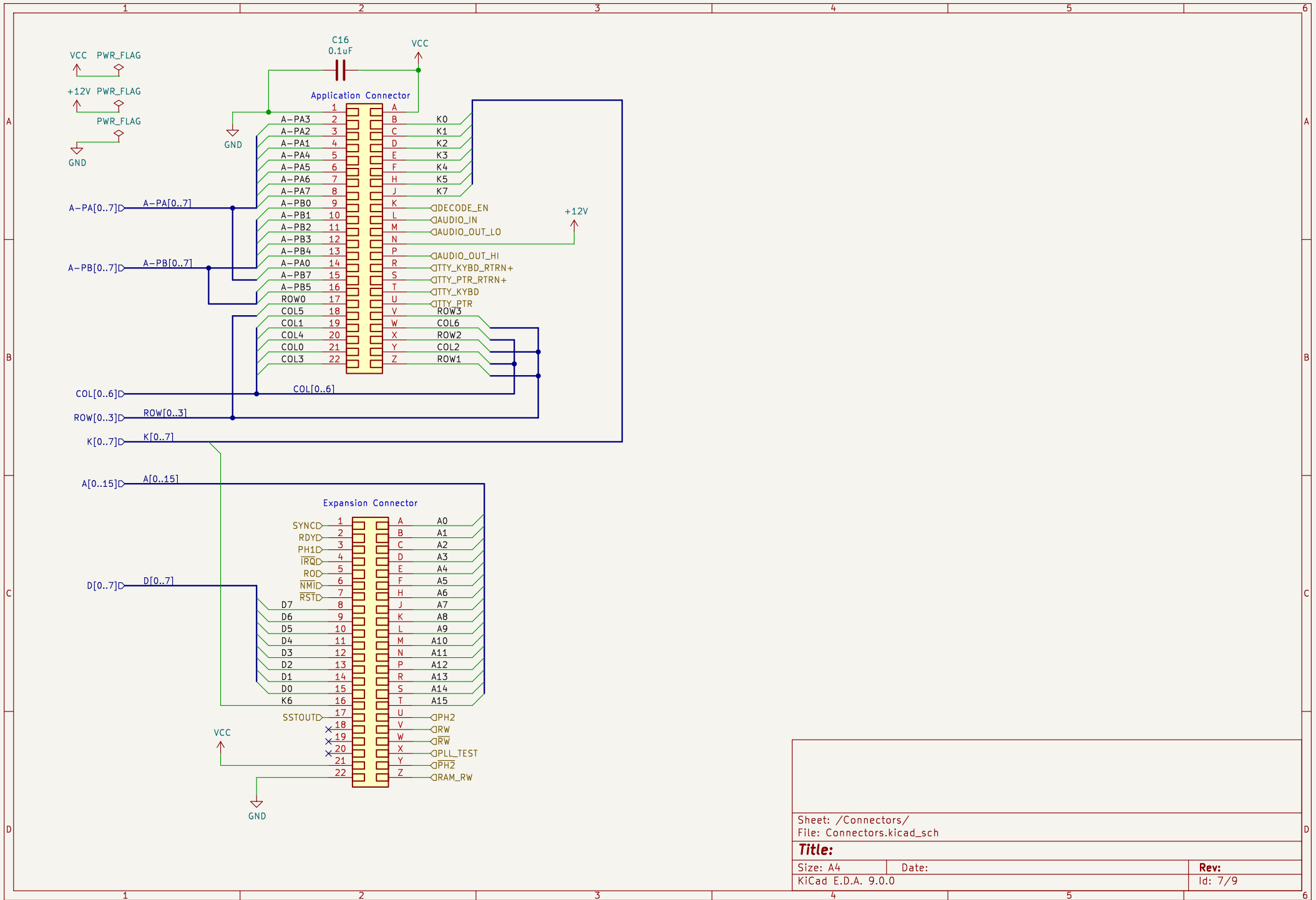
Sheet: /RAM/  
 File: RAM.kicad\_sch

**Title:**

Size: A4  
 KiCad E.D.A. 9.0.0

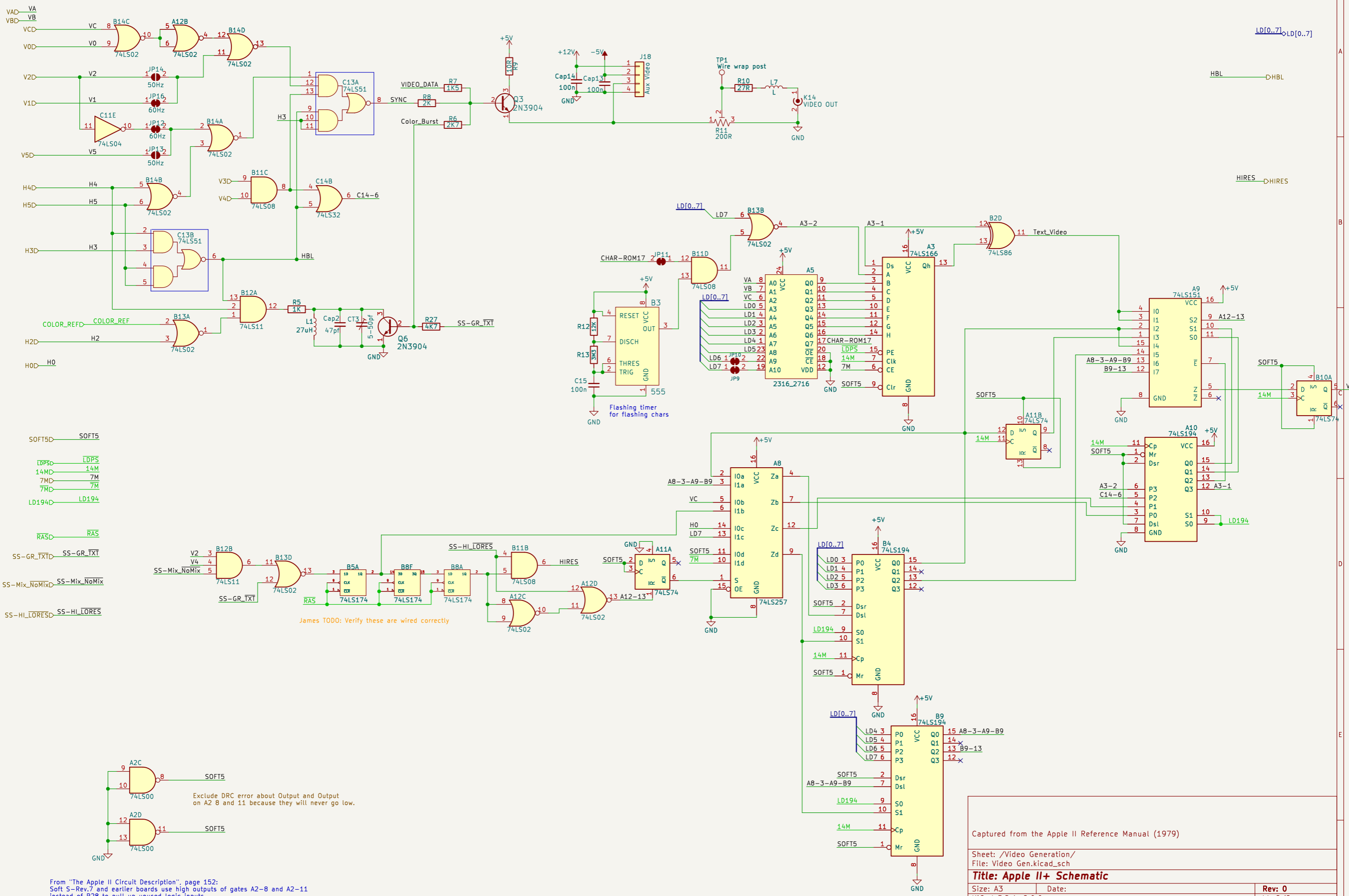
Date:

**Rev:**  
 Id: 6/9

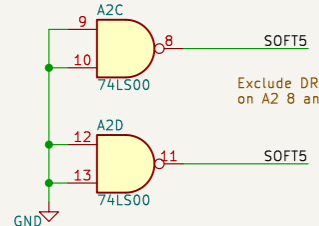


Sheet: /Connectors/	
File: Connectors.kicad_sch	
<b>Title:</b>	
Size: A4	Date:
KiCad E.D.A. 9.0.0	Rev: Id: 7/9

Why isn't there an H1 here?



James TODO: Verify these are wired correctly

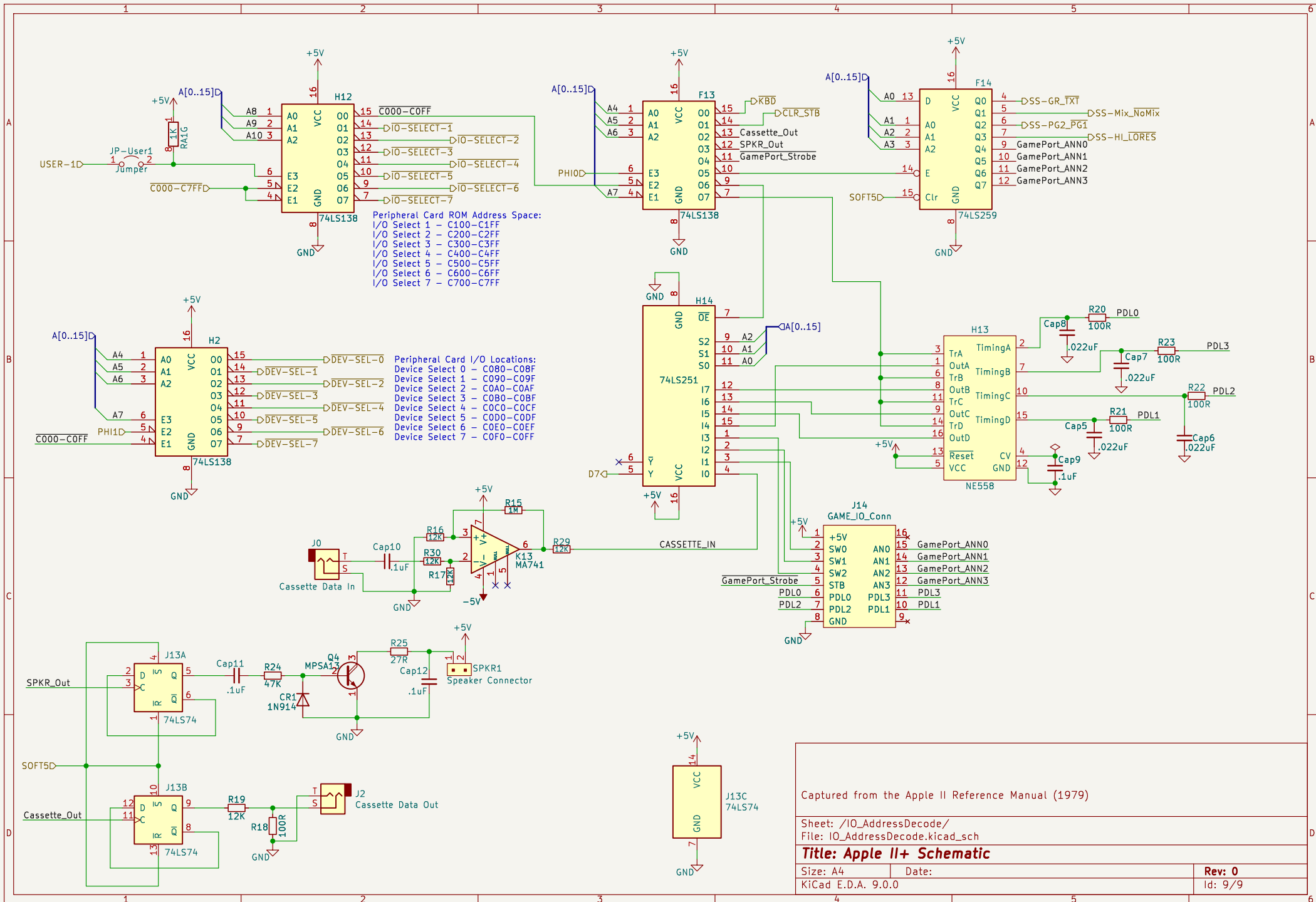


Exclude DRC error about Output and Output on A2 8 and 11 because they will never go low.

From "The Apple II Circuit Description", page 152: Soft S-Rev.7 and earlier boards use high outputs of gates A2-8 and A2-11 instead of R28 to pull up unused logic inputs

Captured from the Apple II Reference Manual (1979)

Sheet: /Video Generation/ File: Video Gen.kicad_sch		Rev: 0
Size: A3	Date:	Id: 8/9
Title: <b>Apple II+ Schematic</b>		
KiCad E.D.A. 9.0.0		



Captured from the Apple II Reference Manual (1979)

Sheet: /IO\_AddressDecode/  
 File: IO\_AddressDecode.kicad\_sch

**Title: Apple II+ Schematic**

Size: A4 Date: Rev: 0  
 KiCad E.D.A. 9.0.0 Id: 9/9