

KiCad schematic capture by Cumbayah! <cumbayah@subetha.dk>

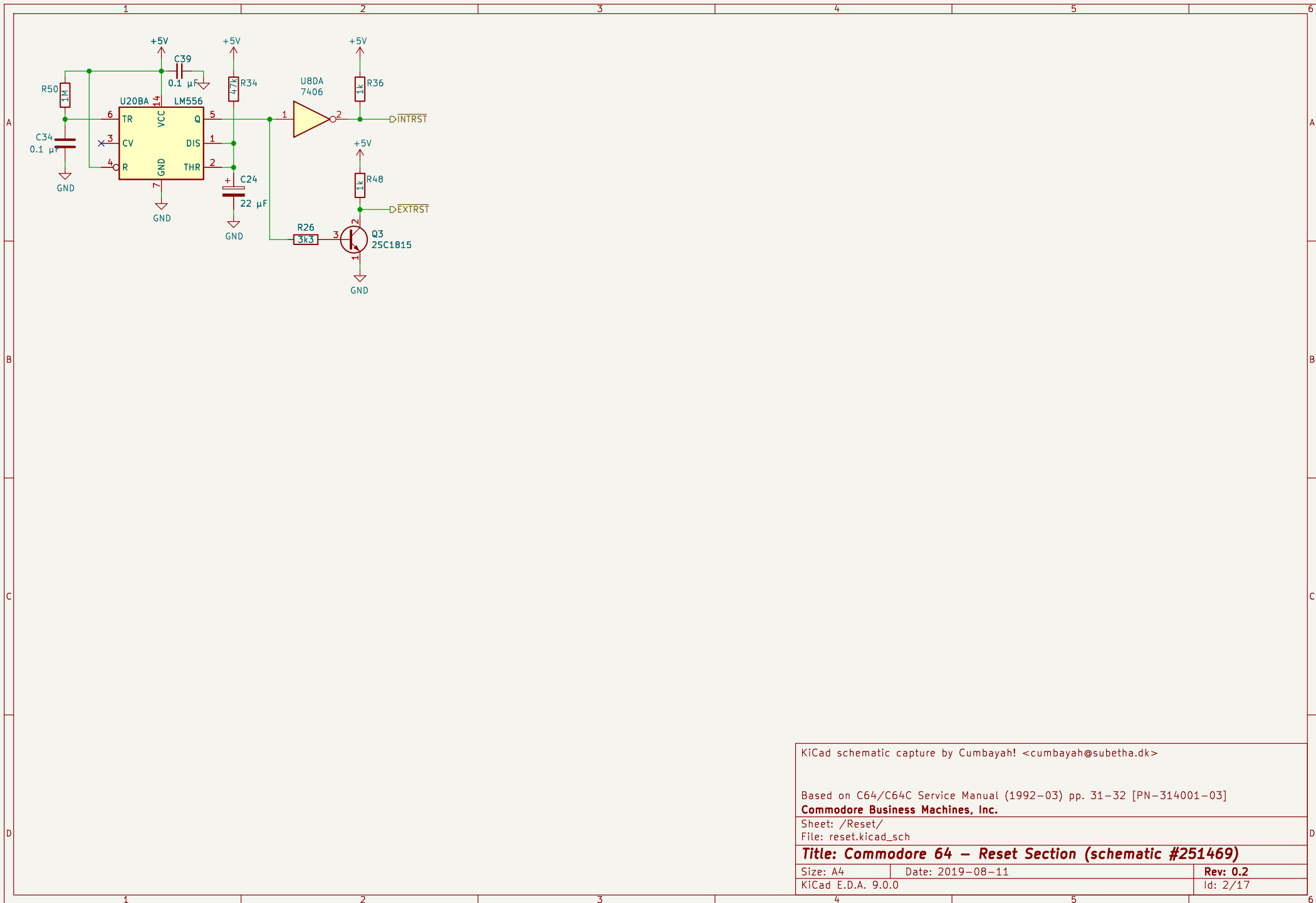
Based on C64/C64C Service Manual (1992-03) pp. 31-32 [PN-314001-03]  
**Commodore Business Machines, Inc.**

Sheet: /  
 File: C64B.kicad\_sch

**Title: Commodore 64 (schematic #251469)**

Size: A4 | Date: 2019-08-11  
 KiCad E.D.A. 9.0.0

Rev: 0.2  
 Id: 1/17



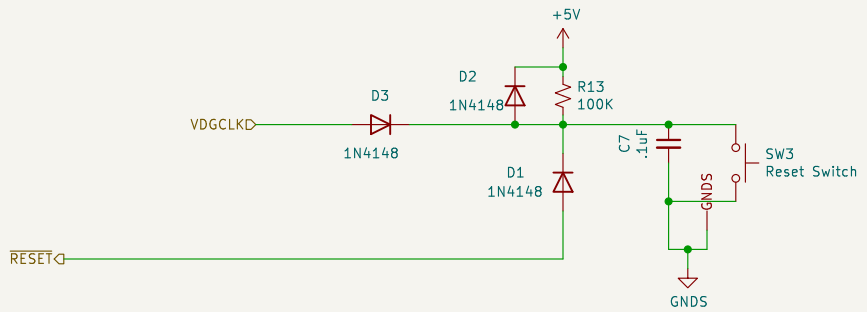
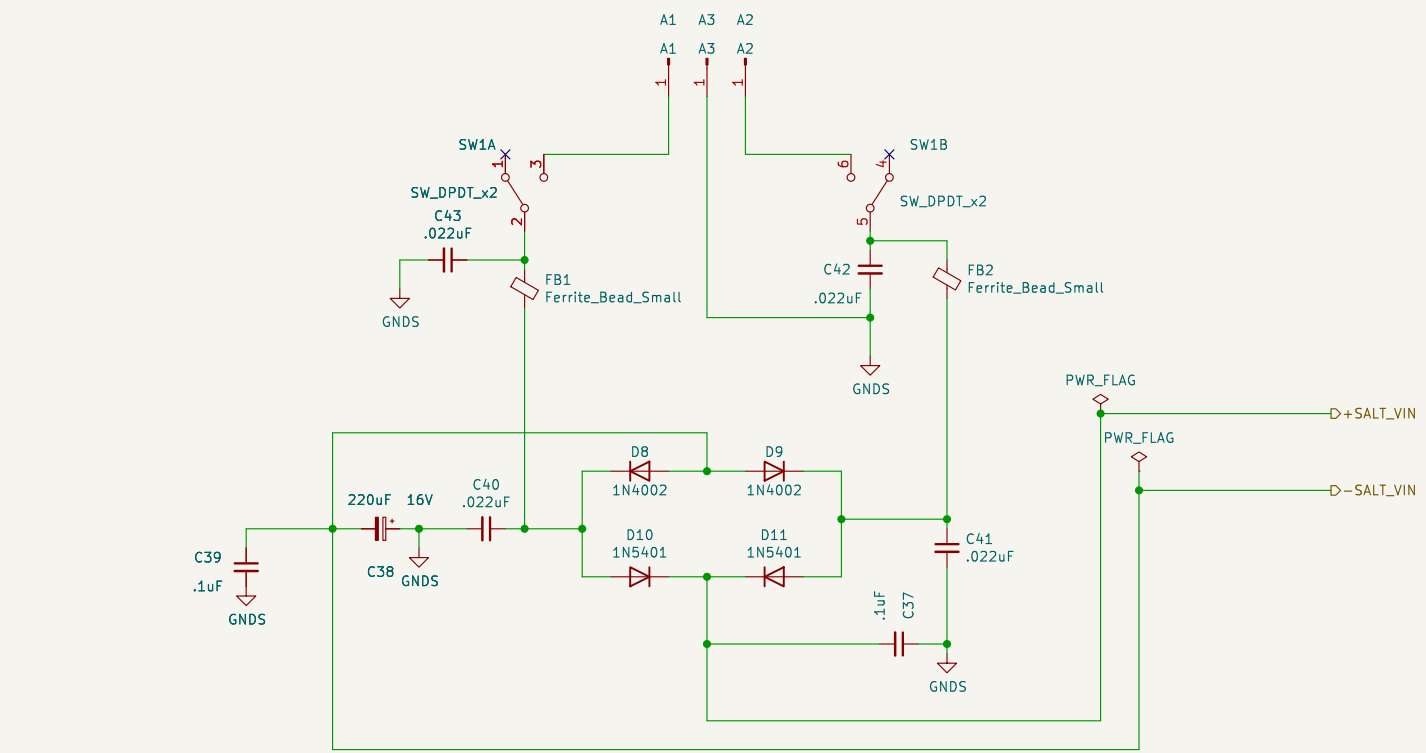
KiCad schematic capture by Cumbayah! <cumbayah@subetha.dk>

Based on C64/C64C Service Manual (1992-03) pp. 31-32 [PN-314001-03]  
**Commodore Business Machines, Inc.**

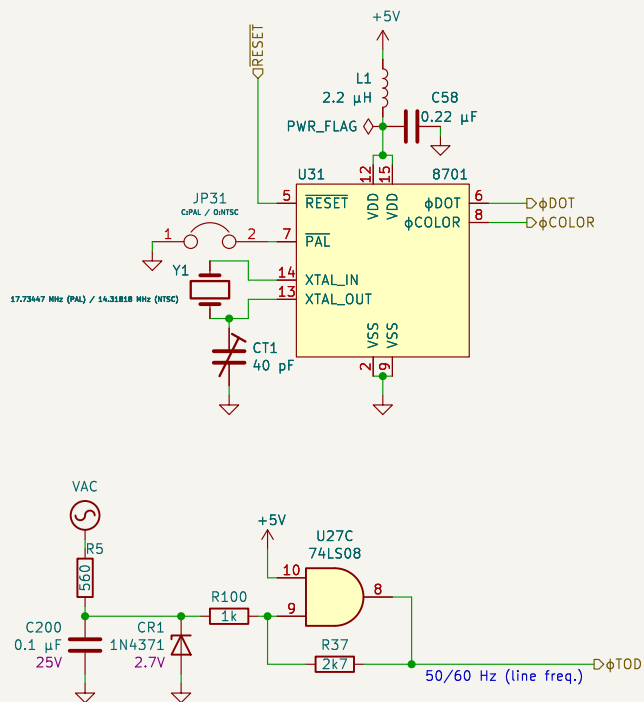
Sheet: /Reset/  
 File: reset.kicad\_sch

**Title: Commodore 64 - Reset Section (schematic #251469)**

Size: A4	Date: 2019-08-11	Rev: 0.2
KiCad E.D.A. 9.0.0		Id: 2/17



Kicad schematic capture by Rocky Hill Reference board donated by MrDave3609		
Board # 20261058		
<b>Tandy Corporation</b>		
Sheet: /Power/		
File: power.kicad_sch		
<b>Title: TRS-80 Color Computer 2 (26-3134B &amp; 26-3136B)</b>		
Size: A	Date: 2022-10-07	Rev: 1.0.0
KiCad E.D.A. 9.0.0		Id: 3/17



KiCad schematic capture by Cumbayah! <cumbayah@subetha.dk>

Based on C64/C64C Service Manual (1992-03) pp. 31-32 [PN-314001-03]

**Commodore Business Machines, Inc.**

Sheet: /Clock/

File: clock.kicad\_sch

**Title: Commodore 64 - Clock section (schematic #251469)**

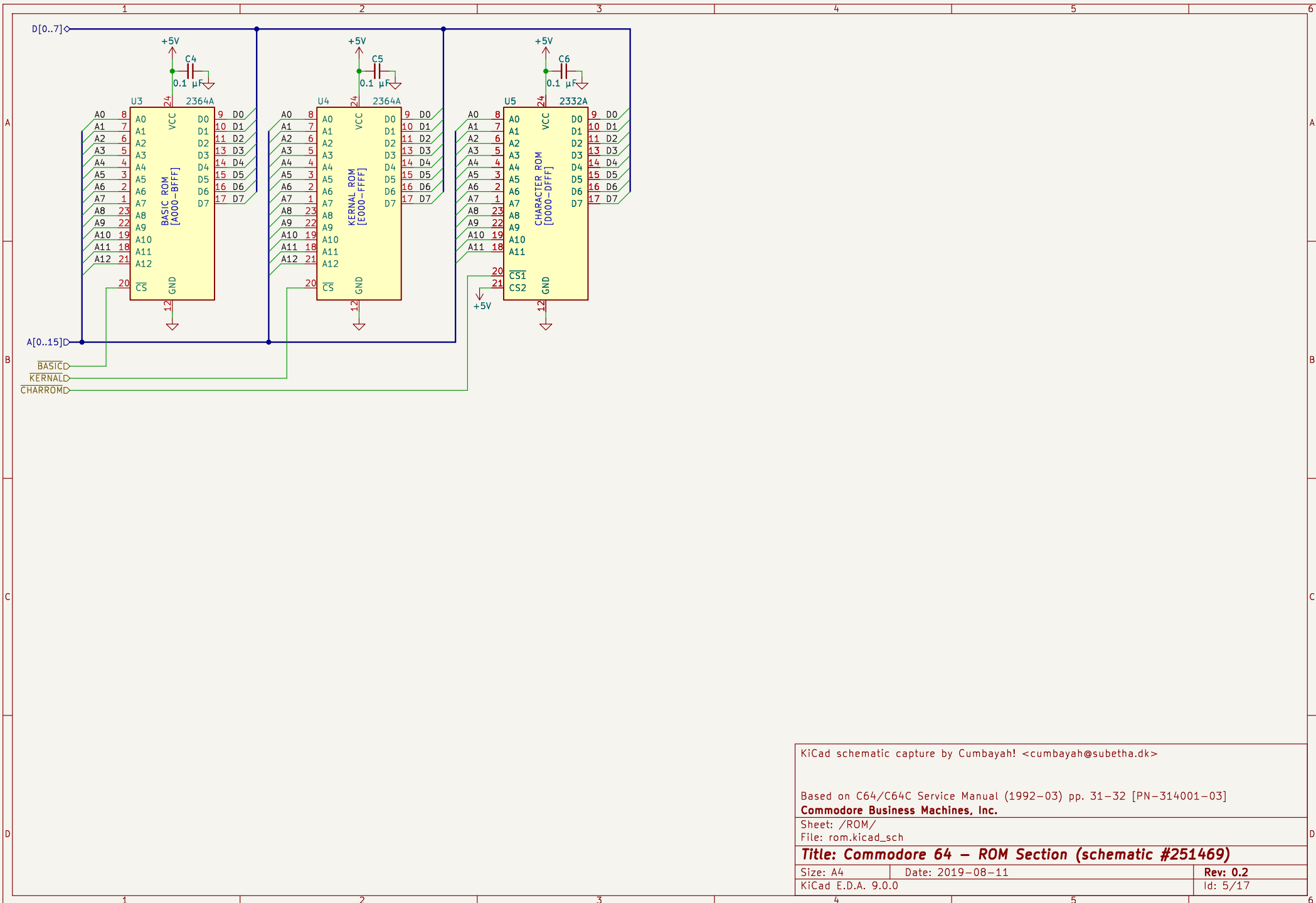
Size: A4

Date: 2019-08-11

Rev: 0.2

KiCad E.D.A. 9.0.0

Id: 4/17



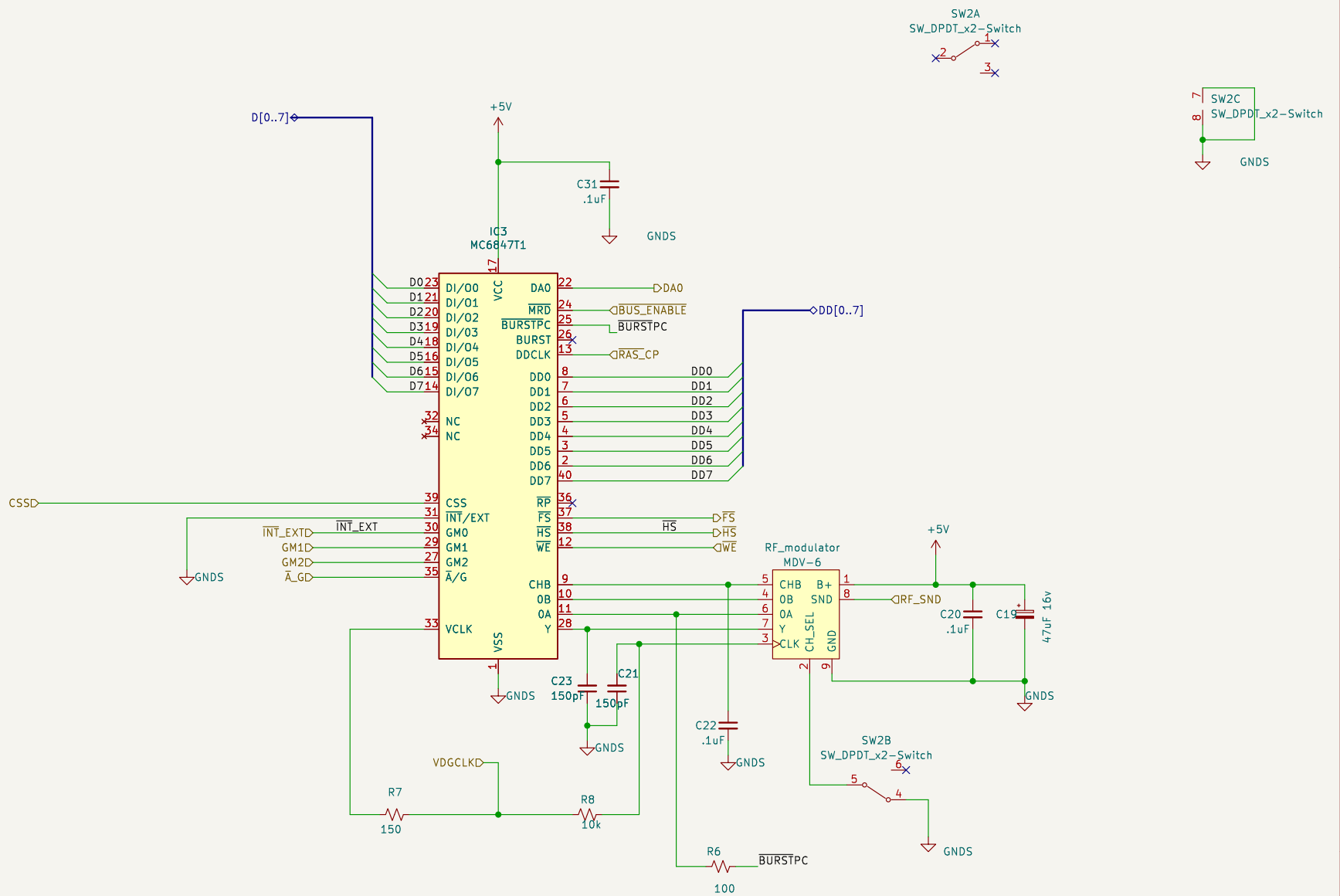
KiCad schematic capture by Cumbayah! <cumbayah@subetha.dk>

Based on C64/C64C Service Manual (1992-03) pp. 31-32 [PN-314001-03]  
**Commodore Business Machines, Inc.**

Sheet: /ROM/  
File: rom.kicad\_sch

**Title: Commodore 64 - ROM Section (schematic #251469)**

Size: A4	Date: 2019-08-11	Rev: 0.2
KiCad E.D.A. 9.0.0		Id: 5/17



Kicad schematic capture by Rocky Hill  
Reference board donated by MrDave3609

Board # 20261058

**Tandy Corporation**

Sheet: /Bus Control & Video/

File: video.kicad\_sch

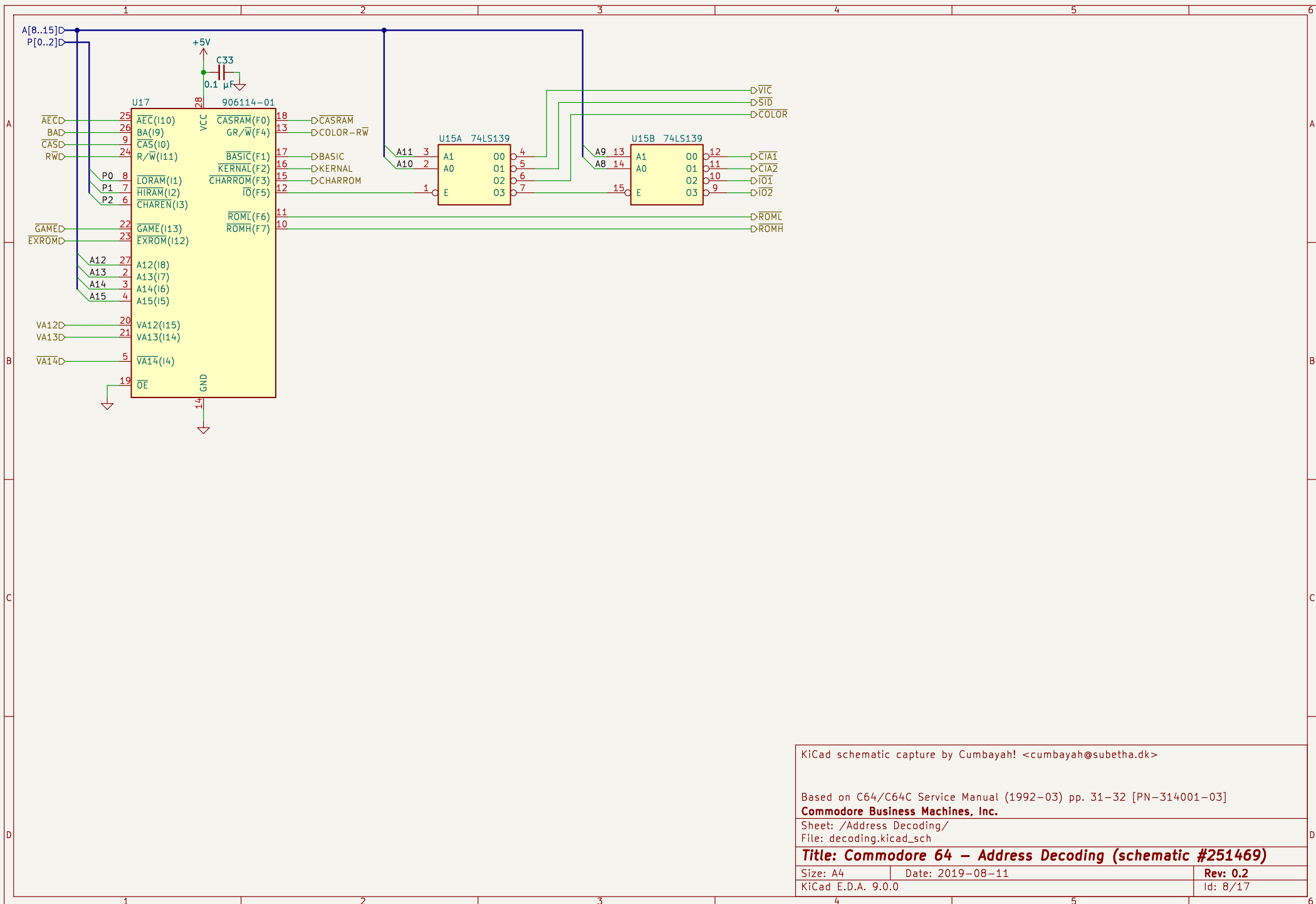
**Title: TRS-80 Color Computer 2 (26-3134B & 26-3136B)**

Size: A Date: 2022-10-07

Rev: 1.0.0

KiCad E.D.A. 9.0.0

Id: 6/17

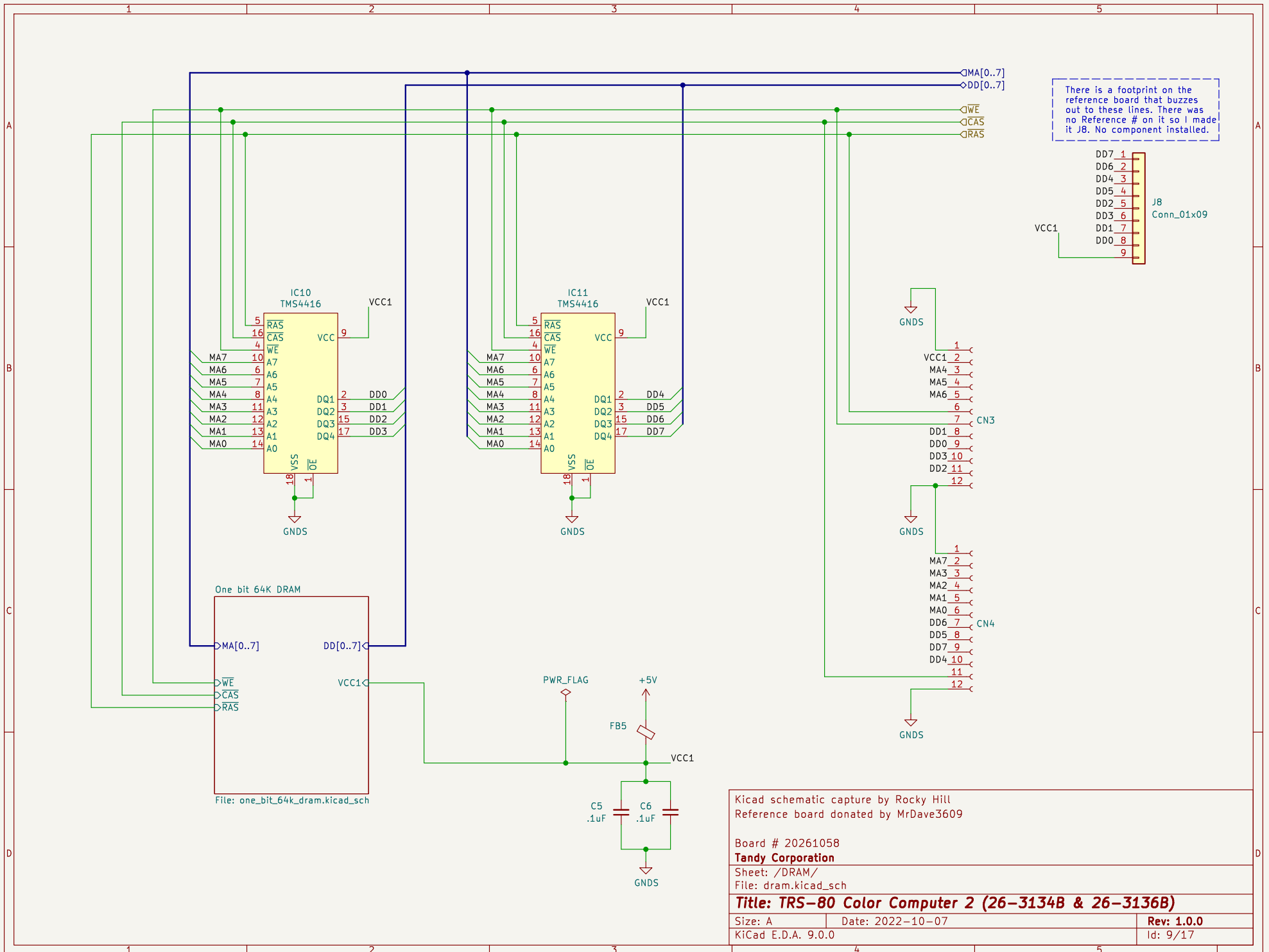


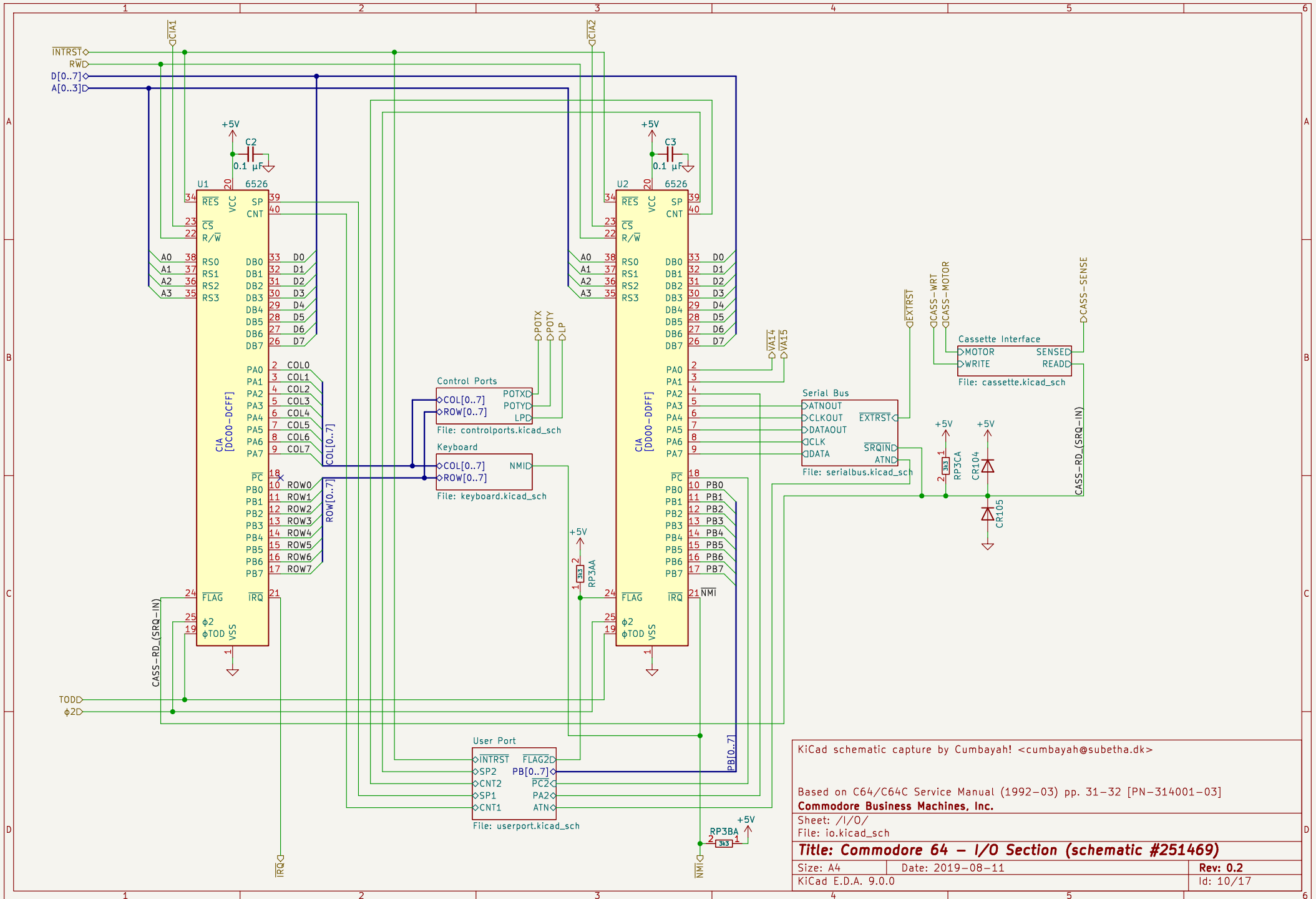
KiCad schematic capture by Cumbayah! <cumbayah@subetha.dk>

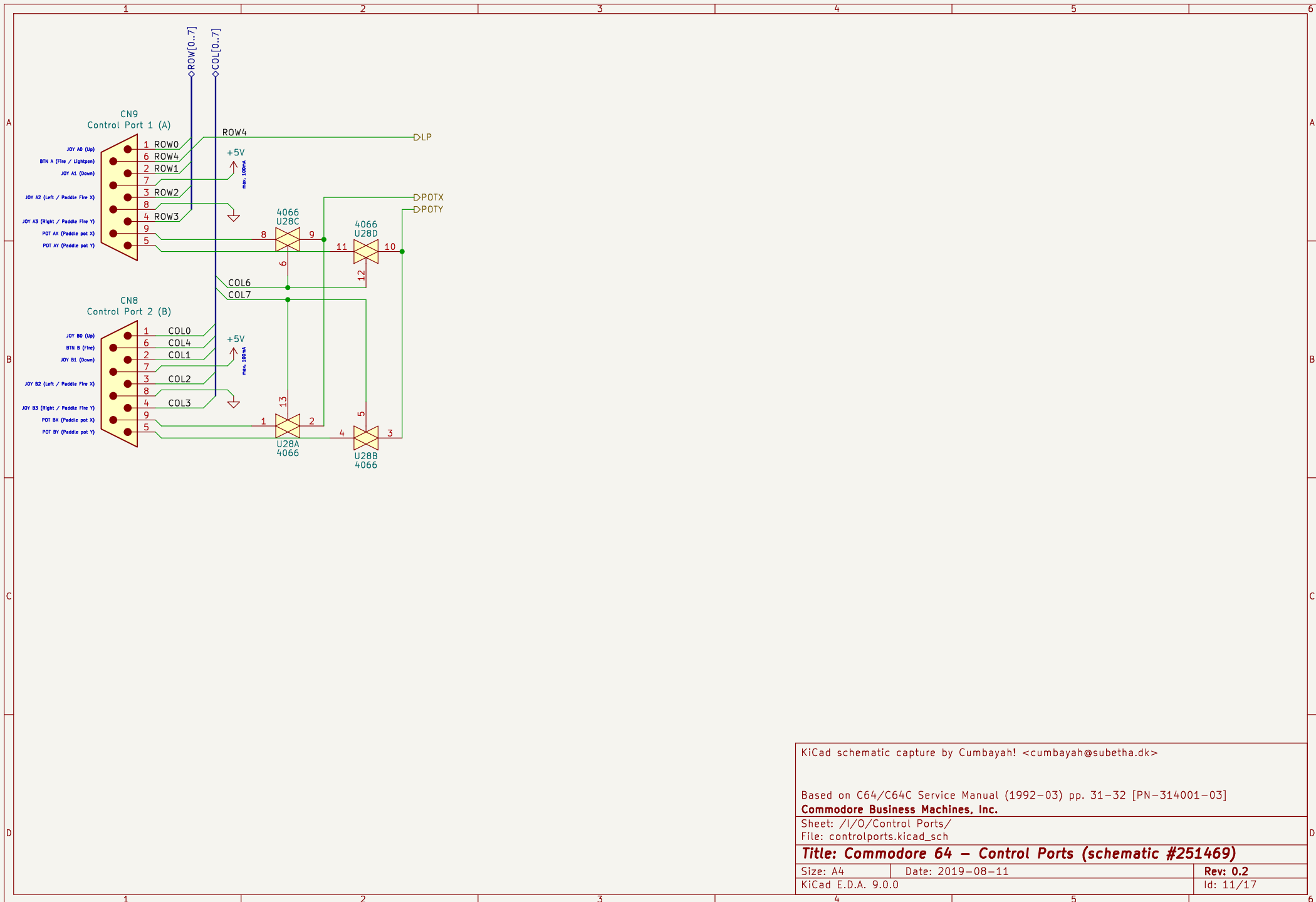
Based on C64/C64C Service Manual (1992-03) pp. 31-32 [PN-314001-03]  
**Commodore Business Machines, Inc.**  
 Sheet: /Address Decoding/  
 File: decoding.kicad\_sch

**Title: Commodore 64 - Address Decoding (schematic #251469)**

Size: A4	Date: 2019-08-11	Rev: 0.2
KiCad E.D.A. 9.0.0		Id: 8/17





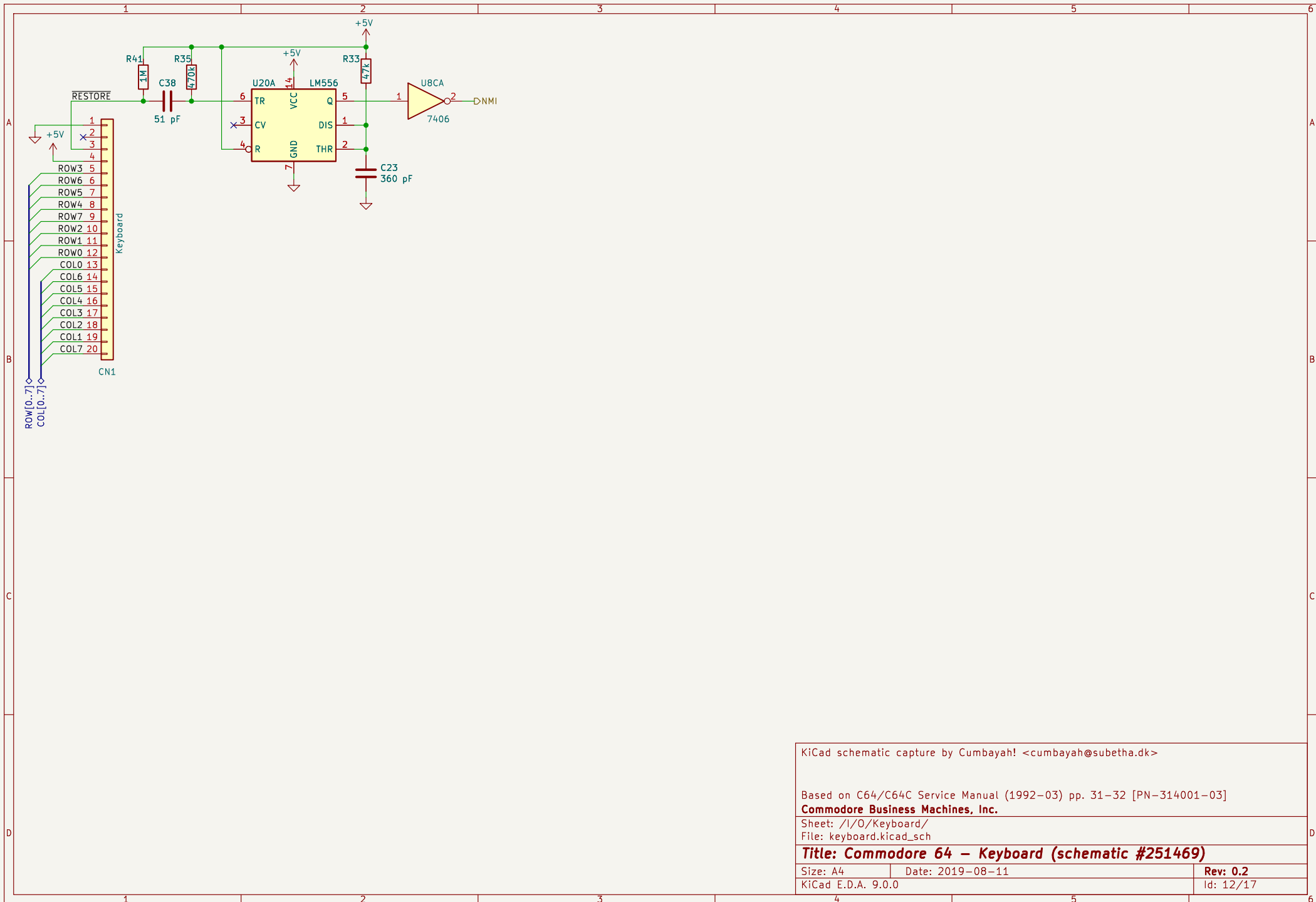


KiCad schematic capture by Cumbayah! <cumbayah@subetha.dk>

Based on C64/C64C Service Manual (1992-03) pp. 31-32 [PN-314001-03]  
**Commodore Business Machines, Inc.**  
 Sheet: /I/O/Control Ports/  
 File: controlports.kicad\_sch

**Title: Commodore 64 - Control Ports (schematic #251469)**

Size: A4	Date: 2019-08-11	Rev: 0.2
KiCad E.D.A. 9.0.0		Id: 11/17



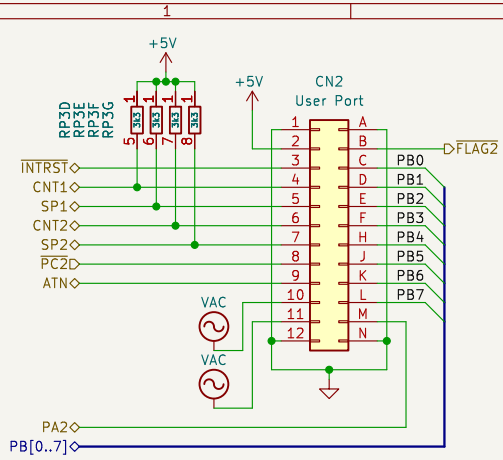
KiCad schematic capture by Cumbayah! <cumbayah@subetha.dk>

Based on C64/C64C Service Manual (1992-03) pp. 31-32 [PN-314001-03]  
**Commodore Business Machines, Inc.**

Sheet: /1/0/Keyboard/  
 File: keyboard.kicad\_sch

**Title: Commodore 64 - Keyboard (schematic #251469)**

Size: A4	Date: 2019-08-11	Rev: 0.2
KiCad E.D.A. 9.0.0		Id: 12/17



KiCad schematic capture by Cumbayah! <cumbayah@subetha.dk>

Based on C64/C64C Service Manual (1992-03) pp. 31-32 [PN-314001-03]

**Commodore Business Machines, Inc.**

Sheet: /1/0/User Port/

File: userport.kicad\_sch

**Title: Commodore 64 - User Port (schematic #251469)**

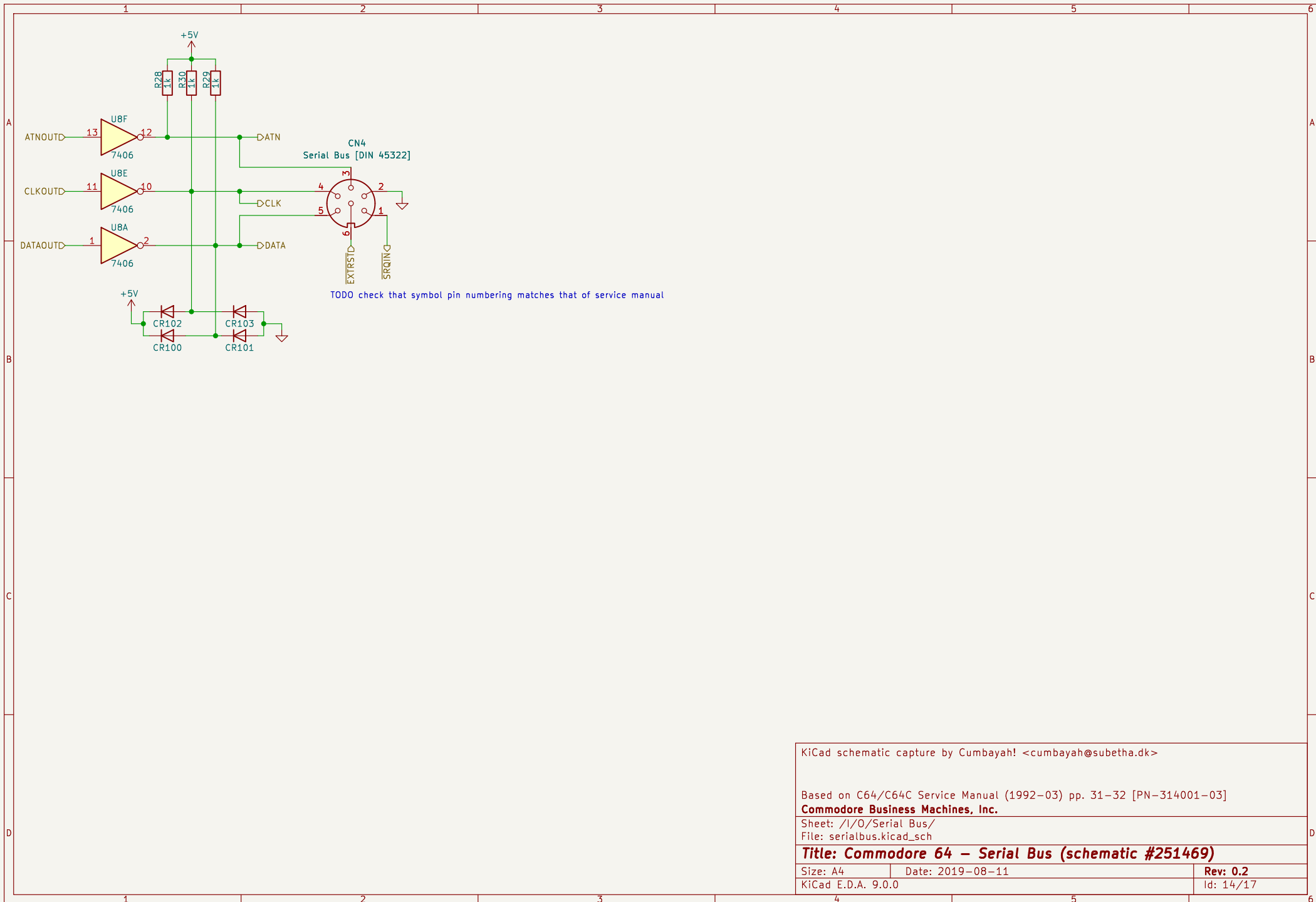
Size: A4

Date: 2019-08-11

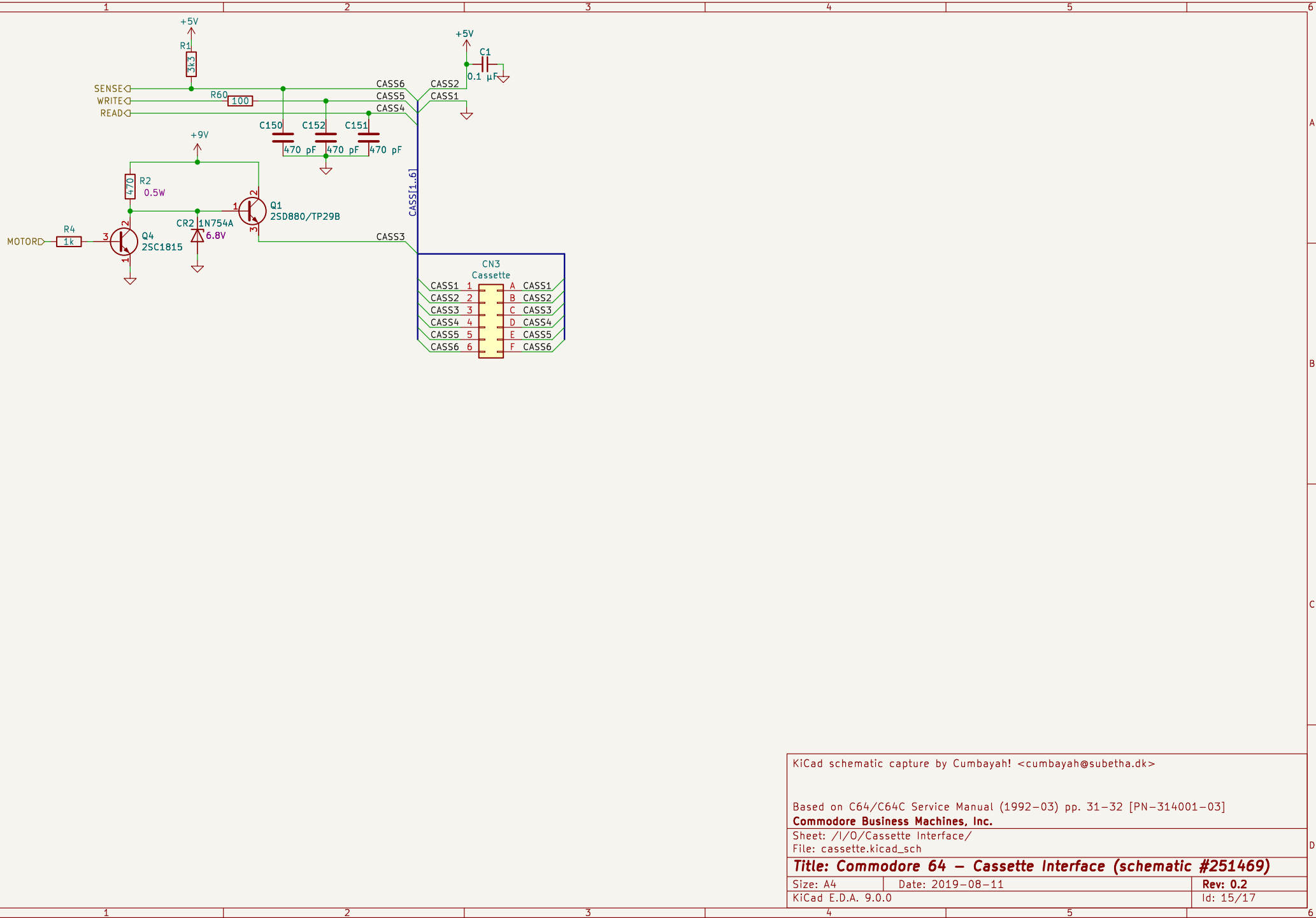
Rev: 0.2

KiCad E.D.A. 9.0.0

Id: 13/17



KiCad schematic capture by Cumbayah! <cumbayah@subetha.dk>		
Based on C64/C64C Service Manual (1992-03) pp. 31-32 [PN-314001-03]		
<b>Commodore Business Machines, Inc.</b>		
Sheet: /I/O/Serial Bus/		
File: serialbus.kicad_sch		
<b>Title: Commodore 64 - Serial Bus (schematic #251469)</b>		
Size: A4	Date: 2019-08-11	Rev: 0.2
KiCad E.D.A. 9.0.0		Id: 14/17



KiCad schematic capture by Cumbayah! <cumbayah@subetha.dk>

Based on C64/C64C Service Manual (1992-03) pp. 31-32 [PN-314001-03]

**Commodore Business Machines, Inc.**

Sheet: /I/O/Cassette Interface/

File: cassette.kicad\_sch

**Title: Commodore 64 - Cassette Interface (schematic #251469)**

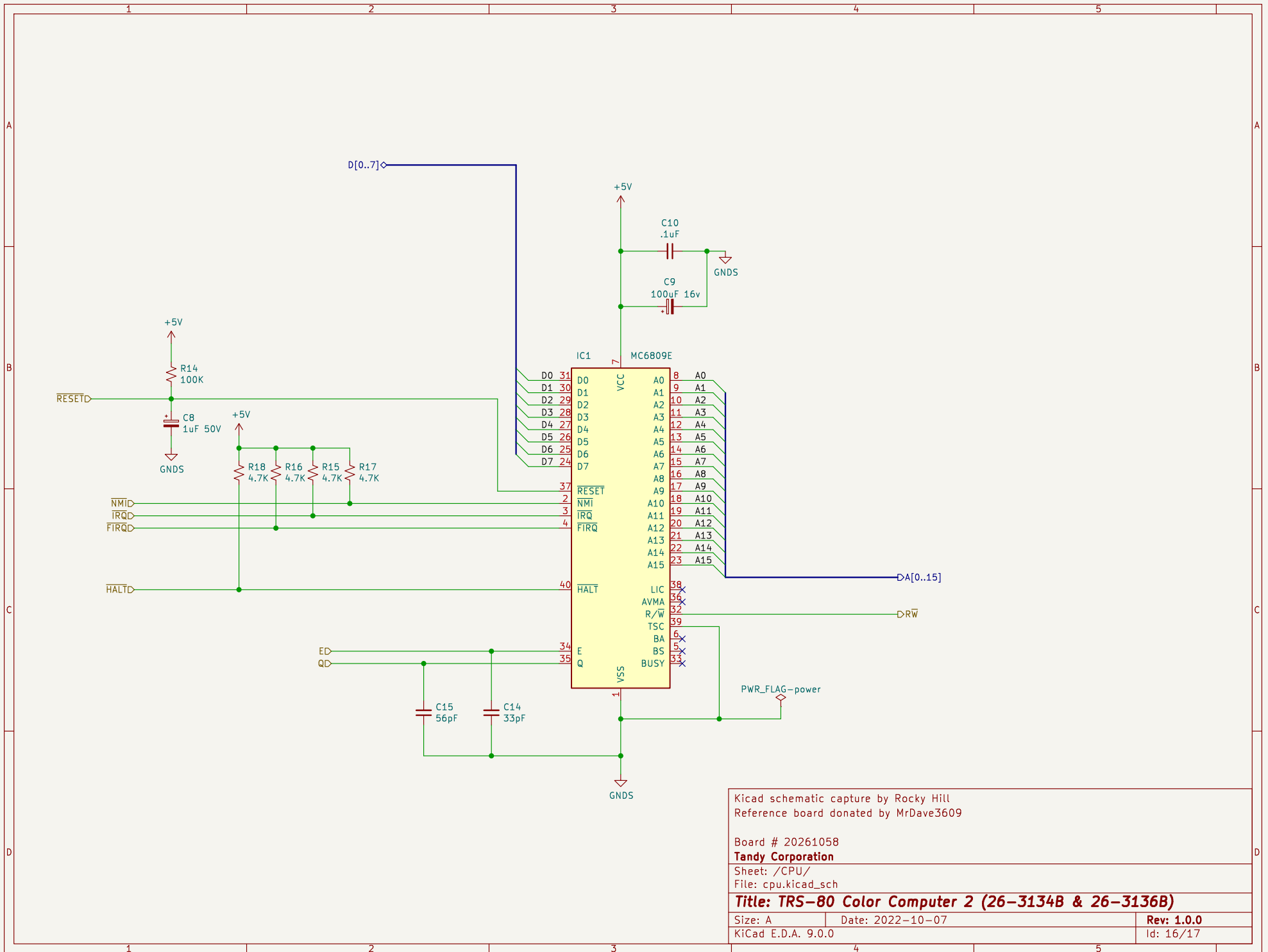
Size: A4

Date: 2019-08-11

Rev: 0.2

KiCad E.D.A. 9.0.0

Id: 15/17



Kicad schematic capture by Rocky Hill  
Reference board donated by MrDave3609

Board # 20261058

**Tandy Corporation**

Sheet: /CPU/

File: cpu.kicad\_sch

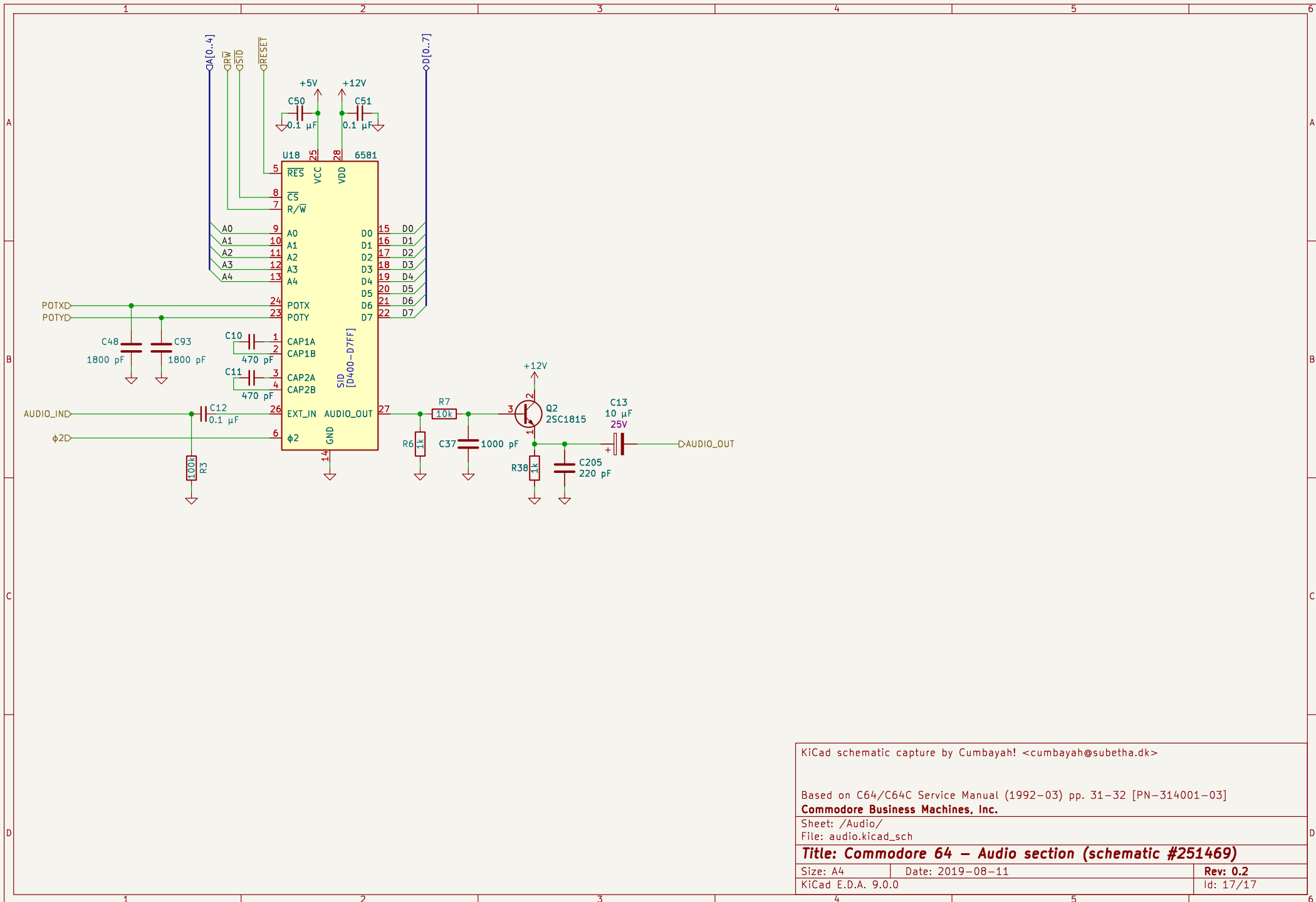
**Title: TRS-80 Color Computer 2 (26-3134B & 26-3136B)**

Size: A Date: 2022-10-07

Rev: 1.0.0

KiCad E.D.A. 9.0.0

Id: 16/17



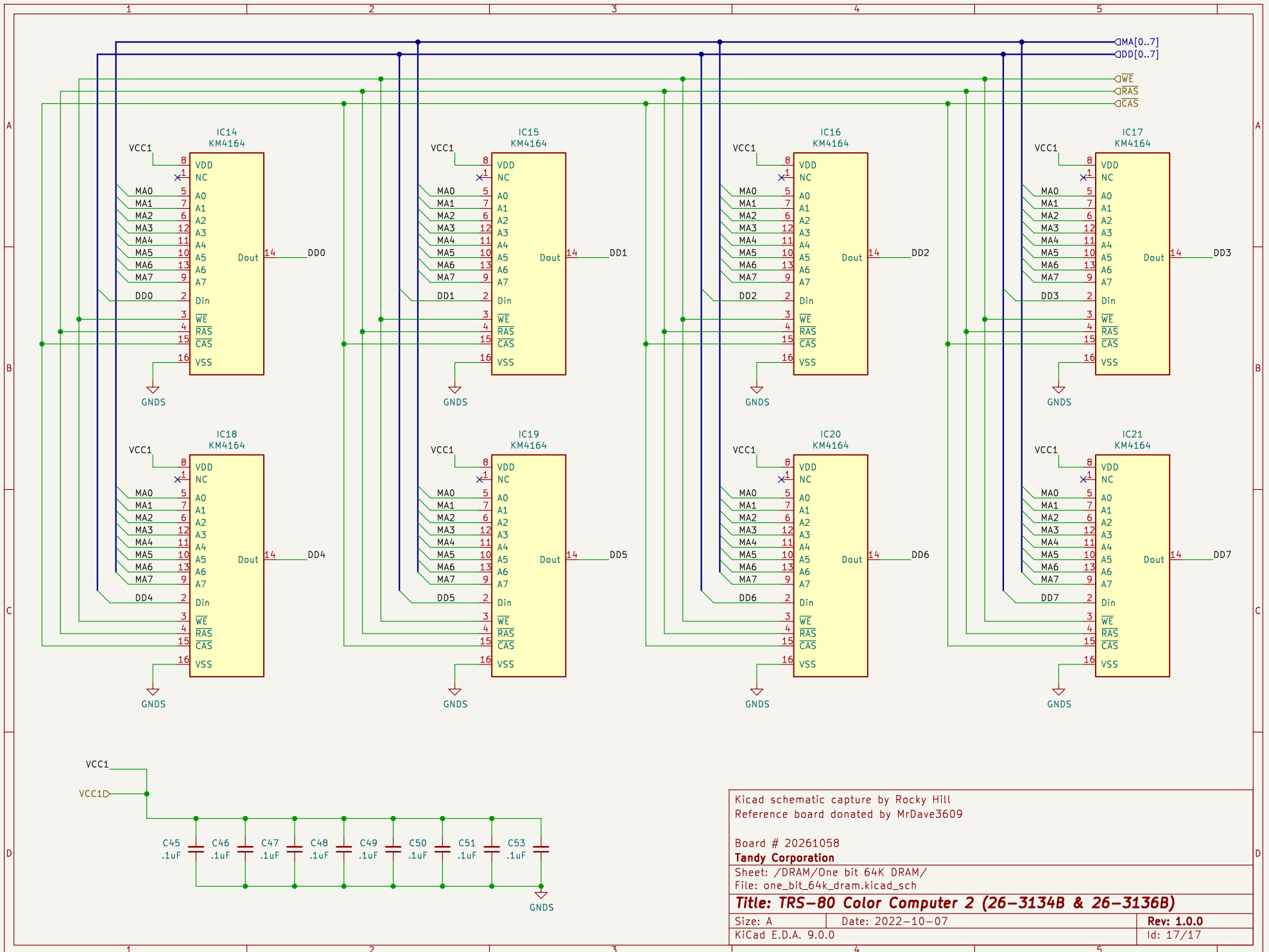
KiCad schematic capture by Cumbayah! <cumbayah@subetha.dk>

Based on C64/C64C Service Manual (1992-03) pp. 31-32 [PN-314001-03]  
**Commodore Business Machines, Inc.**

Sheet: /Audio/  
 File: audio.kicad\_sch

**Title: Commodore 64 - Audio section (schematic #251469)**

Size: A4	Date: 2019-08-11	Rev: 0.2
KiCad E.D.A. 9.0.0		Id: 17/17



Kicad schematic capture by Rocky Hill  
Reference board donated by MrDave3609

Board # 20261058

**Tandy Corporation**

Sheet: /DRAM/One bit 64K DRAM/

File: one\_bit\_64k\_dram.kicad\_sch

**Title: TRS-80 Color Computer 2 (26-3134B & 26-3136B)**

Size: A Date: 2022-10-07

Rev: 1.0.0

KiCad E.D.A. 9.0.0

Id: 17/17