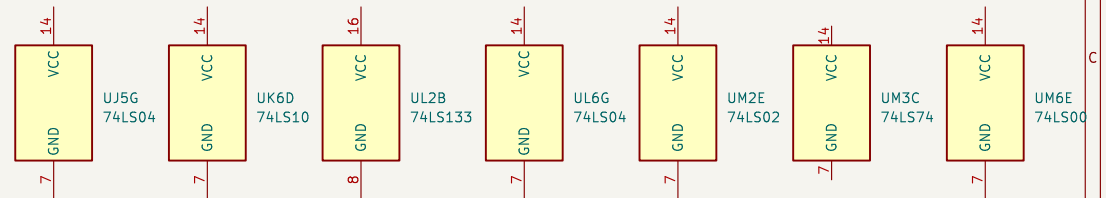
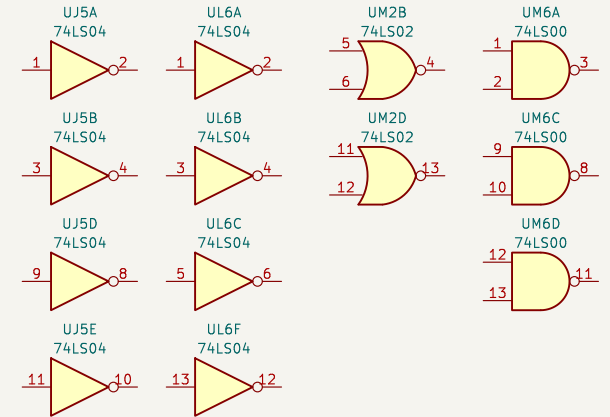
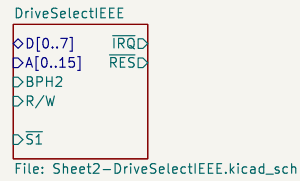
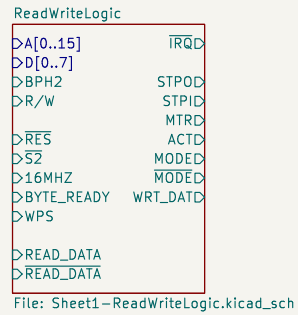


Notes:

- To comply with KiCad's annotation convention, designators are "flipped" compared to the original schematic.
e.g. designator "U5M" has been captured as "UM5"



PCB Assembly 2031040
Schematic 203138

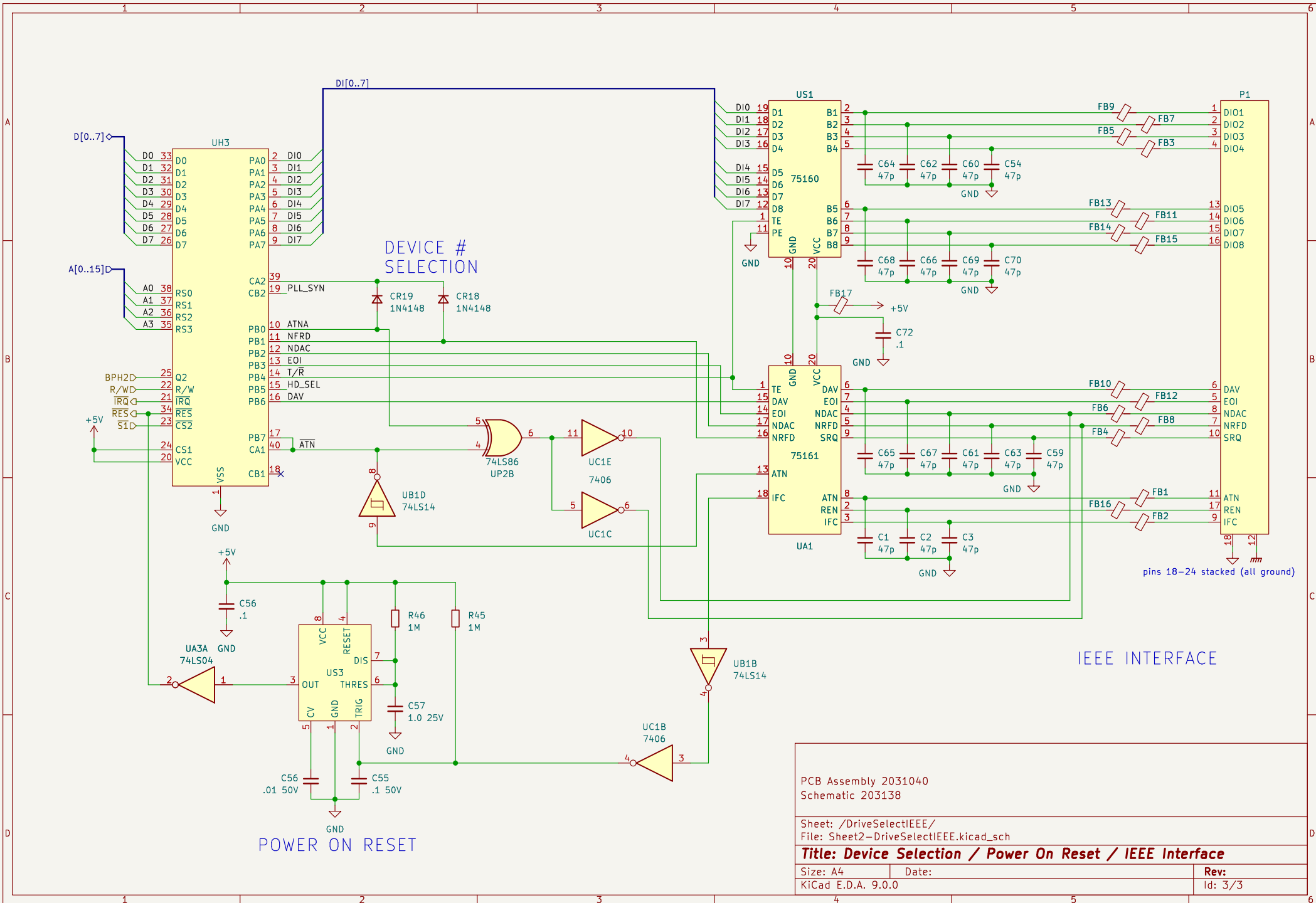
Sheet: /
File: Commodore-2031.kicad_sch

Title: Commodore 2031

Size: A4
KiCad E.D.A. 9.0.0

Date:

Rev:
Id: 1/3



PCB Assembly 2031040
Schematic 203138

Sheet: /DriveSelectIEEE/
File: Sheet2-DriveSelectIEEE.kicad_sch

Title: Device Selection / Power On Reset / IEEE Interface

Size: A4

Date:

Rev:

KiCad E.D.A. 9.0.0

Id: 3/3