

Sheet: /Control & Timing/
File: CtrlTiming.kicad_sch

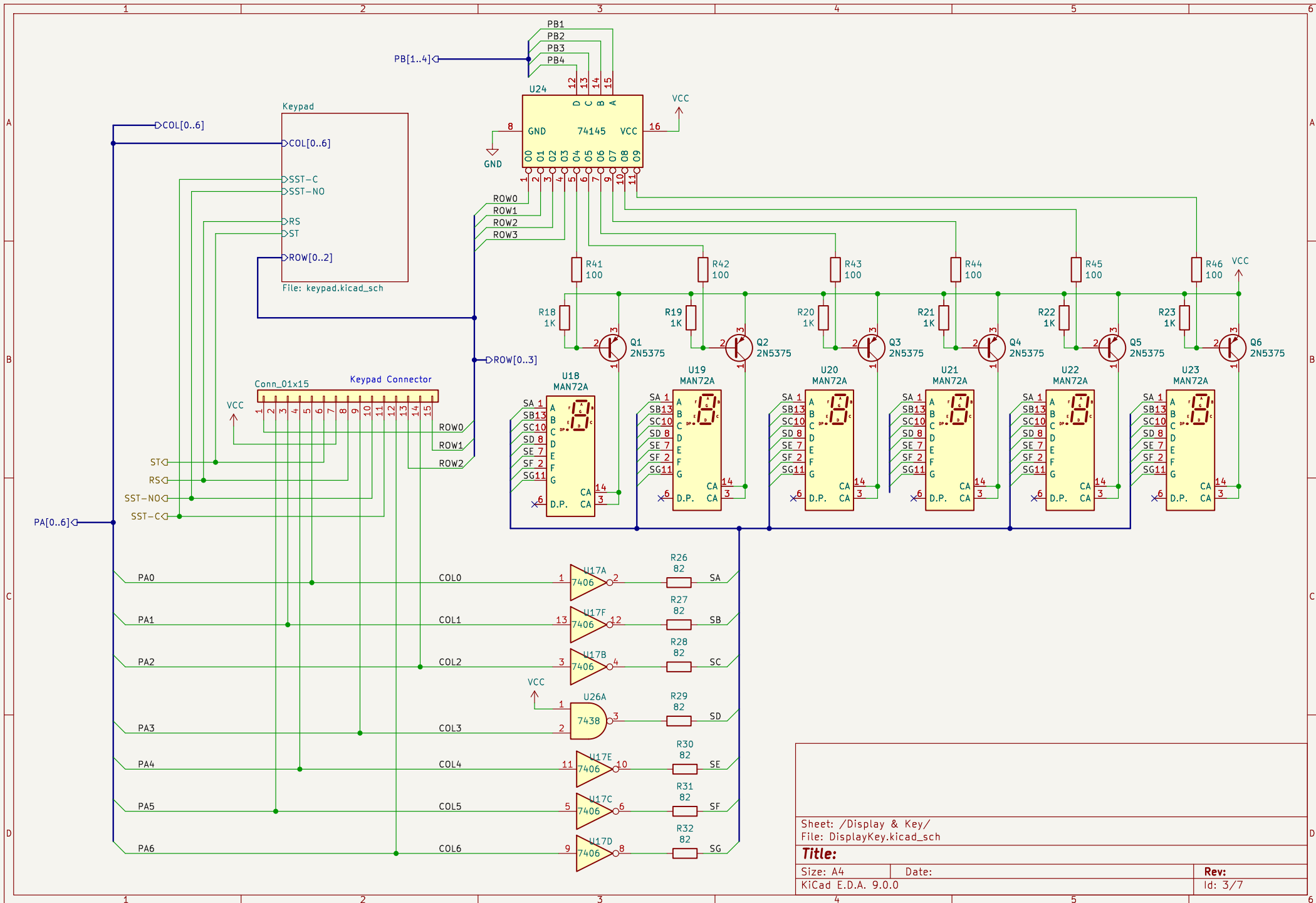
Title:

Size: A4 Date:

KiCad E.D.A. 9.0.0

Rev:

Id: 2/7

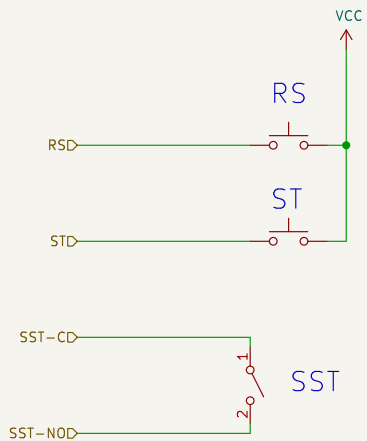
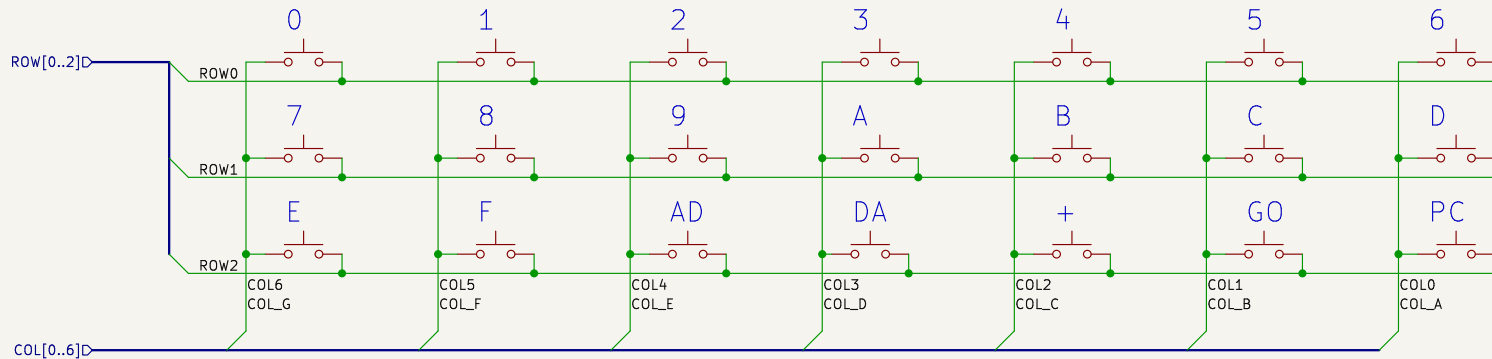


Sheet: /Display & Key/
 File: DisplayKey.kicad_sch

Title:

Size: A4 Date:
 KiCad E.D.A. 9.0.0

Rev:
 Id: 3/7



Sheet: /Display & Key/Keypad/
File: keypad.kicad_sch

Title:

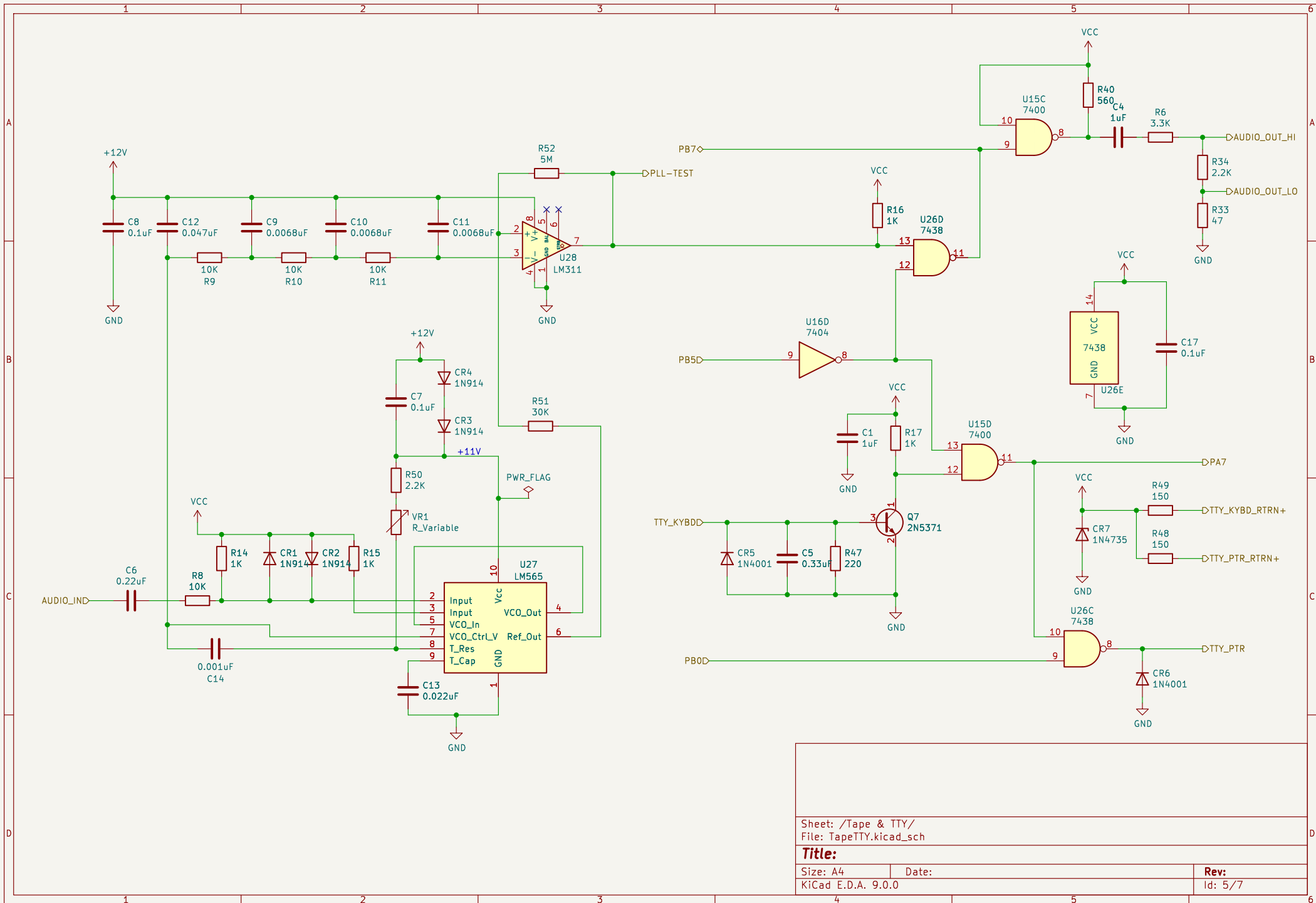
Size: A4

Date:

KiCad E.D.A. 9.0.0

Rev:

Id: 4/7



Sheet: /Tape & TTY/
 File: TapeTTY.kicad_sch

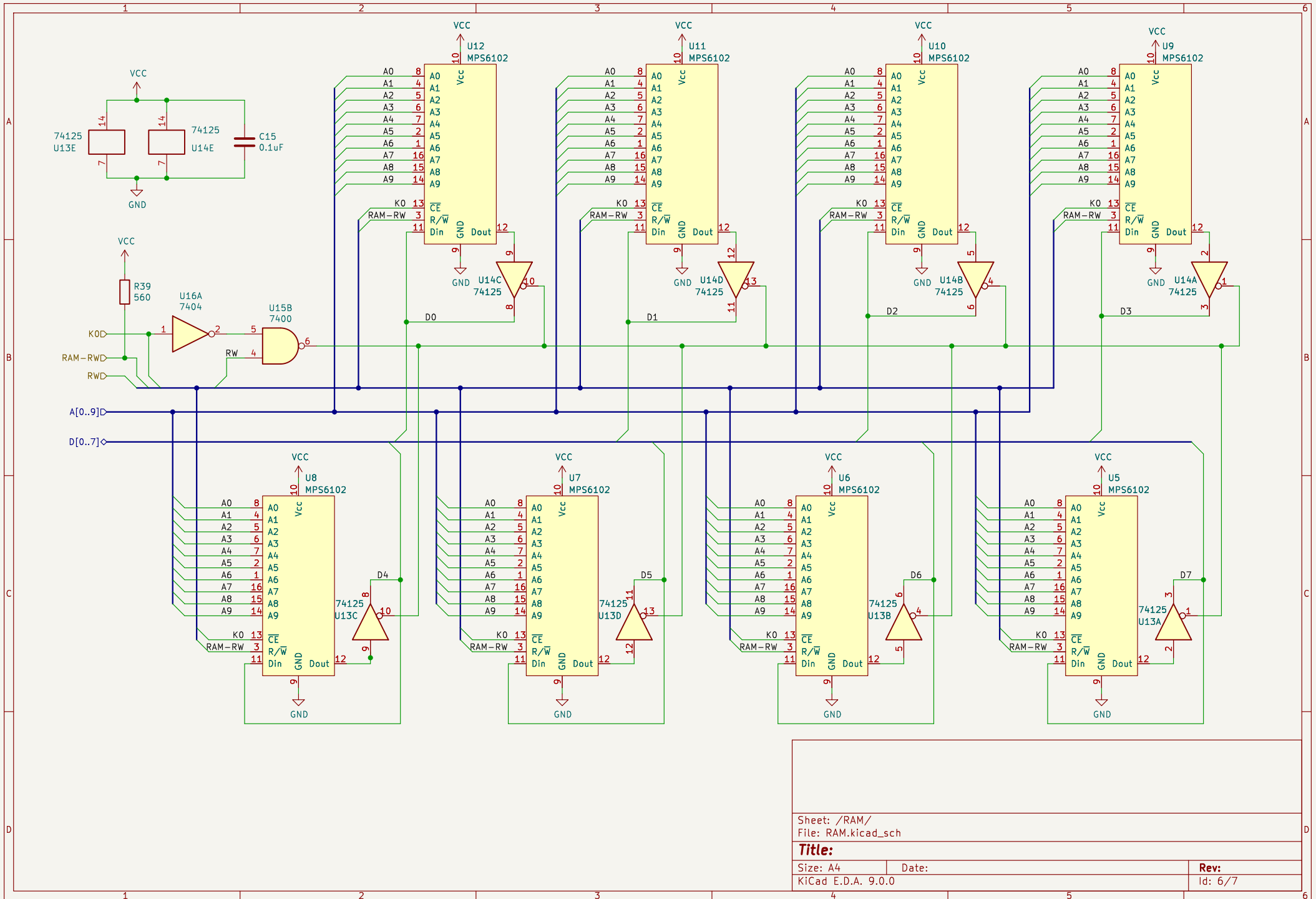
Title:

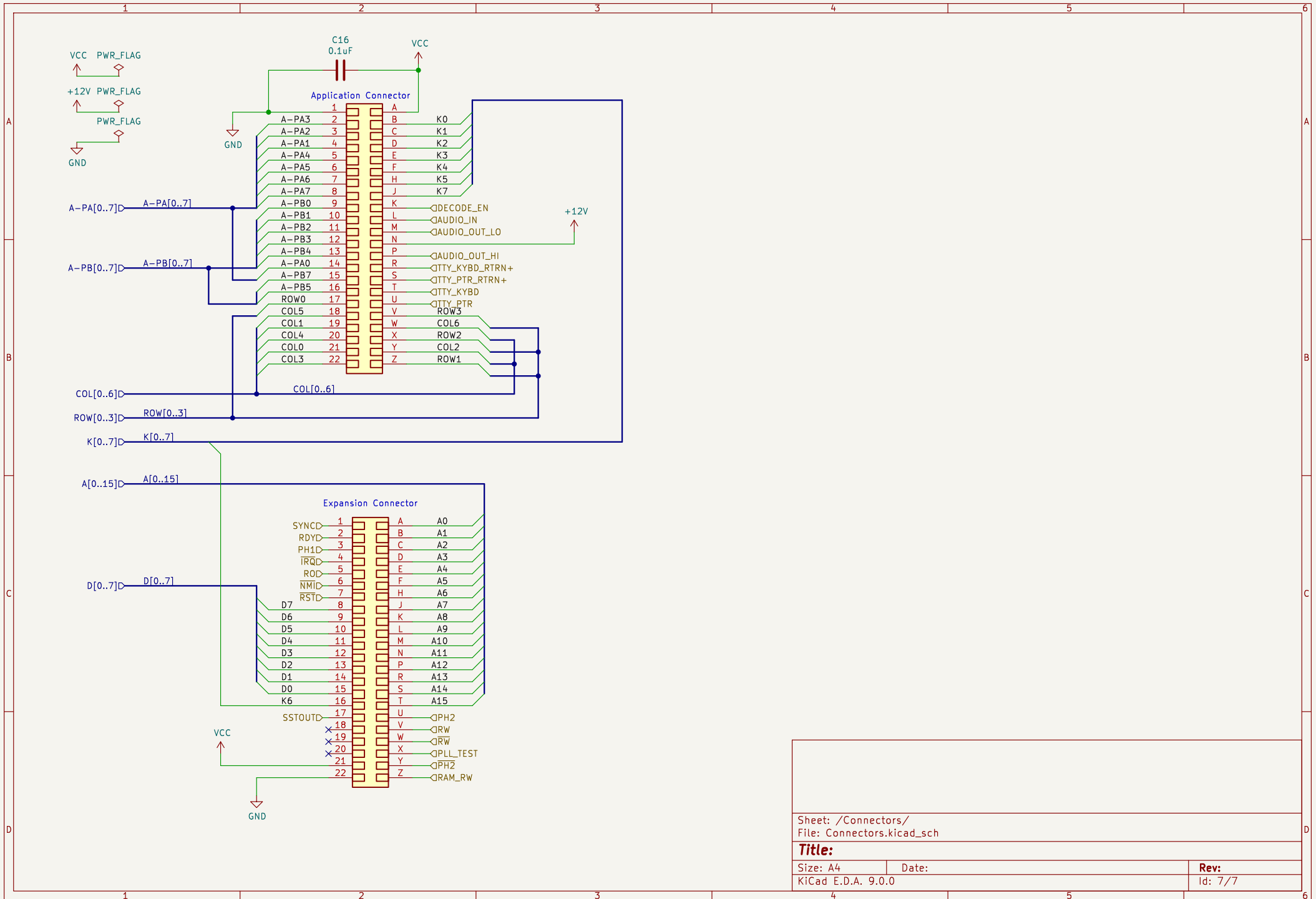
Size: A4
 KiCad E.D.A. 9.0.0

Date:

Rev:

Id: 5/7





Sheet: /Connectors/		Rev:	
File: Connectors.kicad_sch		Id: 7/7	
Size: A4	Date:		
KiCad E.D.A. 9.0.0			