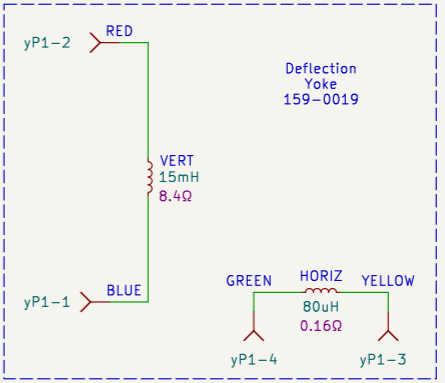


How to handle off-board connectors



yP1 because KiCad wants the REFDEG to be different (and they are off-board.)

VERIFY: C10 V Rating

Verify C11 Cap

Verify if +30 or +38V +30V

- P3-10 +12V Sweep (Red)
- P3-6 -12V (Green)
- P3-5 +12V (Yellow)
- P3-4 +5V (Orange)
- P3-9 +5V (Orange)
- P3-1 GND (Black)
- P3-2 GND (Black)
- P3-3 GND (Black)
- P3-7 GND (Black)
- P3-8 GND (Black)

@baldengineer		
bald.ee/bitpreserve		
Sheet: /		
File: Macintosh SE Analog Board.kicad_sch		
<b>Title: Macintosh SE Analog Board</b>		
Size: A3	Date: 2024-03-31	Rev: 1
KiCad E.D.A. 9.0.0		Id: 1/1